

# **(EN) Assembly instructions**

**(DE) Montageanleitung**

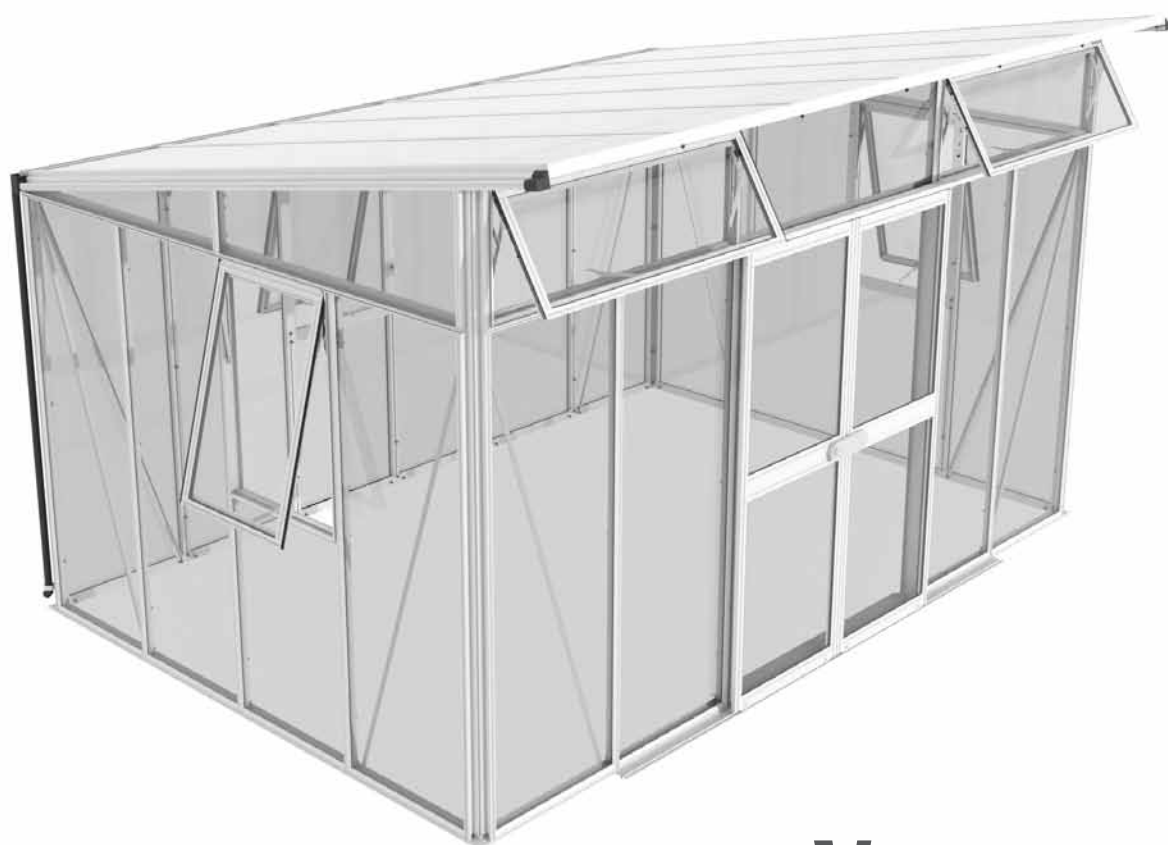
**(NL) Montage Instructies**

**(IT) Istruzioni di Montaggio**

**(FR) Notice de Montage**

**(DA) Montagevejledning**

**(SL) Navodila za Montažo**

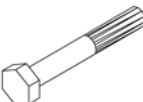
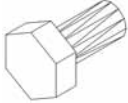

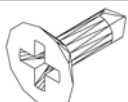




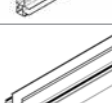




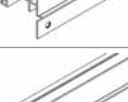
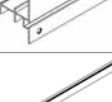
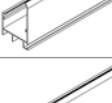



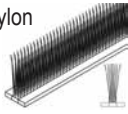
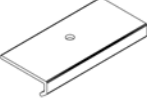
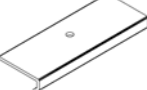


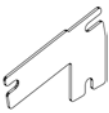
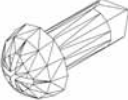


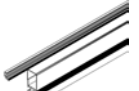
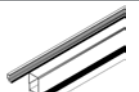
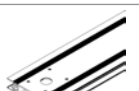



**Vitavia**  
- makes living grow

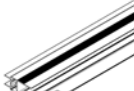











---

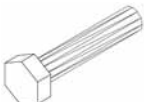

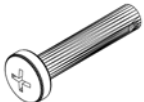


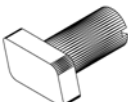



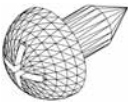
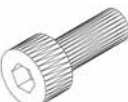
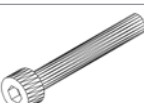
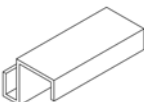
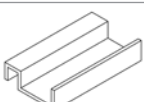


**VM0042-A**  
**7800, 11500**



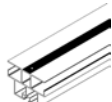
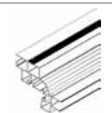
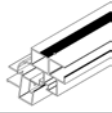


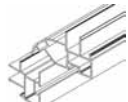
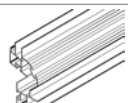



| Item No. | Part   | Sect. Ref.    | Size mm        | Quantity |         |
|----------|--|---------------|----------------|----------|---------|
|          |  |               |                | 7800     | 11500   |
| 1002     |           | 9             | M6             | 2x       | 2x      |
| 1003     |           | 5b            | 3.5 x 16       | 2x       | 4x      |
| 1006     |           | 9             | 3.5 x 6        | 2x       | 2x      |
| 1402     |           | 9             | 36             | 2x       | 2x      |
| 1403     |           | 9             | 20             | 2x       | 2x      |
| 1405     |           | 9             | 15             | 2x       | 2x      |
| 1409     |          | 9             | 20             | 2x       | 2x      |
| 1412     |         | 9             | M6 x 22        | 2x       | 2x      |
| 1415     | PVC<br> | 9             | 1720           | 2x       | 2x      |
| 2002     |         | 6b            | 4.2 x 38       | 2x       | 2x      |
| 2003     |         | 6b            | Ø 8            | 2x       | 2x      |
| 2271     |         | 6a            | 37             | 4x       | 4x      |
| 3002     |         | 9             | M6             | 2x       | 2x      |
| 6056     |         | 8a<br>8b      | 47             | 8x       | 10x     |
| 6070     |         | 5a<br>5b<br>9 | Ø 13.5         | 260x     | 315x    |
| 6090     | PVC<br> | 7b            | 75000<br>93000 | 1x<br>-  | -<br>1x |


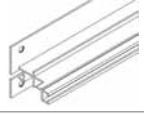

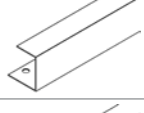


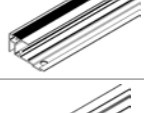
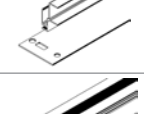
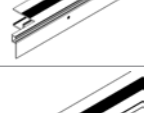
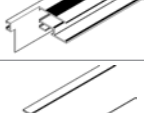
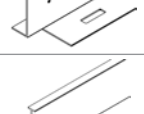
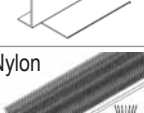

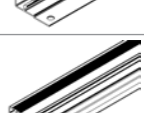
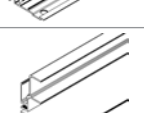
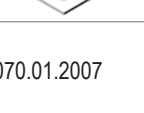
| Item No. | Part  | Sect. Ref.          | Size mm  | Quantity |       |
|----------|---|---------------------|----------|----------|-------|
|          |   |                     |          | 7800     | 11500 |
| 7050     |    | 1, 2<br>3, 4a<br>7b | M6 x 42  | 115x     | 138x  |
| 7052     |    | 1-9                 | M6x12    | 120x     | 143x  |
| 7053     |    | 1-9                 | M6       | 277x     | 333x  |
| 7088     |    | 8a<br>8b            | 3.9 x 13 | 50x      | 62x   |
| 7090     |    | 5a<br>5b            | 324      | 4x       | 5x    |
| 7304     |    | 1<br>2<br>3<br>4a   | 2659     | 4x       | 2x    |
| 7306     |   | 1<br>4a             | 3917     | -        | 2x    |
| 7310     |  | 1                   | 1801     | 2x       | 2x    |
| 7311     |  | 1<br>2<br>3<br>4b   | 1801     | 11x      | 15x   |
| 7312     |  | 1<br>2<br>3<br>4a   | 1915     | 8x       | 8x    |
| 7314     |  | 1                   | 2586     | 1x       | -     |
| 7316     |  | 1                   | 3844     | -        | 1x    |
| 7319     |  | 2                   | 2547     | 1x       | 1x    |
| 7320     |  | 3                   | 2547     | 1x       | 1x    |
| 7324     |  | 7a                  | 2586     | 1x       | -     |
| 7326     |  | 7a                  | 3844     | -        | 1x    |

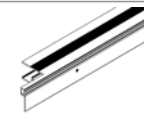
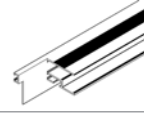
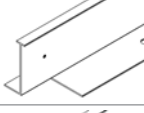

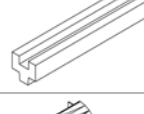
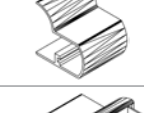
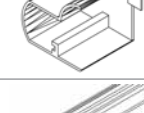


| Item No. | Part   | Sect. Ref. | Size mm   | Quantity |       |
|----------|--|------------|-----------|----------|-------|
|          |  |            |           | 7800     | 11500 |
| 7331     |           | 4b         | 218       | 3x       | 5x    |
| 7332     | Nylon<br> | 6a         | 9000 x 10 | 1x       | 1x    |
| 7342     |           | 7a         | 45        | 2x       | 2x    |
| 7343     |           | 7a         | 56        | 3x       | 5x    |
| 7346     |           | 4b         | 224.5     | 1x       | 1x    |
| 7347     |           | 4b         | 224.5     | 1x       | 1x    |
| 7348     |          | 4b         | 93.5      | 4x       | 4x    |
| 7349     |         | 5a<br>7a   | 3.9 x 10  | 16x      | 20x   |
| 7350     |         | 6a         | 20        | 4x       | 4x    |
| 7351     |         | 6b         | 2548      | 1x       | 1x    |
| 7352     |         | 6a         | 653       | 1x       | 1x    |
| 7353     |         | 6a         | 653       | 1x       | 1x    |
| 7354     |         | 6a         | 574       | 1x       | 1x    |
| 7355     |         | 6a         | 574       | 2x       | 2x    |
| 7356     |         | 6a         | 1828      | 2x       | 2x    |
| 7357     |         | 6a         | 1828      | 1x       | 1x    |

| Item No. | Part   | Sect. Ref. | Size mm | Quantity |       |
|----------|--|------------|---------|----------|-------|
|          |  |            |         | 7800     | 11500 |
| 7358     |           | 6a         | 1828    | 1x       | 1x    |
| 7359     |           | 9          | 2548    | 1x       | 1x    |
| 7360     |           | 6a         | M6      | 4x       | 4x    |
| 7361     |           | 6b         | 1796    | 2x       | 2x    |
| 7362     |           | 6b         | 1222    | 1x       | 1x    |
| 7363     |           | 6b         | 1217    | 1x       | 1x    |
| 7364     |          | 6a         | Ø 32    | 4x       | 4x    |
| 7370     |         | 9          | 71.35   | 1x       | 1x    |
| 7371     |         | 9          | 71.35   | 1x       | 1x    |
| 7372     |         | 7b         | 1819    | 11x      | 15x   |
| 7373     |         | 7b         | 1819    | 8x       | 8x    |
| 7379     |         | 7b         | 240     | 1x       | 1x    |
| 7380     |         | 7b         | 240     | 1x       | 1x    |
| 7381     |         | 7b         | 618     | 14x      | 18x   |
| 7382     | PVC<br> | 7b         | 618     | 14x      | 18x   |
| 7384     |         | 6a         | 574     | 1x       | 1x    |

| Item No. | Part  | Sect. Ref.           | Size mm  | Quantity |       |
|----------|---|----------------------|----------|----------|-------|
|          |   |                      |          | 7800     | 11500 |
| 7390     |    | 6b                   | M6 x 30  | 4x       | 4x    |
| 7392     |    | 6a                   | Ø 5/3    | 8x       | 8x    |
| 7393     |    | 6a                   | M6 x 31  | 4x       | 4x    |
| 7395     |    | 4b                   | Ø 12/6.5 | 5x       | 7x    |
| 7396     |    | 1                    | 11000    | 1x       | -     |
|          |   | 2<br>3<br>4a         | 13500    | -        | 1x    |
| 7399     |    | 4a<br>4b<br>8a<br>8b | M6 x 12  | 38x      | 48x   |
| 7400     |   | 6a                   | 123      | 1x       | 1x    |
| 7401     |  | 6a                   | 123      | 1x       | 1x    |
| 7402     |  | 6a                   | 60       | 1x       | 1x    |
| 7403     |  | 8a<br>8b             | 4.2 x 10 | 16x      | 20x   |
| 7404     |  | 6a                   | M4 x 10  | 8x       | 8x    |
| 7405     |  | 6a                   | M4 x 25  | 4x       | 4x    |
| 7407     |  | 7b                   | 30       | 14x      | 18x   |
| 7409     |  | 7b                   | 30       | 10x      | 10x   |
| 7411     |  | 4a                   | 3.8 x 80 | 16x      | 20x   |
| 7413     |  | 5a<br>5b             | 50       | 5x       | 7x    |

| Item No. | Part   | Sect. Ref. | Size mm | Quantity |       |
|----------|--|------------|---------|----------|-------|
|          |  |            |         | 7800     | 11500 |
| 7419     |         | 8a<br>8b   | 405     | 8x       | 10x   |
| 7420     | PVC<br> | 5a         | 24000   | 1x       | -     |
|          |  | 5b<br>6a   | 27200   | -        | 1x    |
| 7421     |         | 4a         | Ø6 X 80 | 16x      | 20x   |
| 7424     |         | 7a         | 592     | 4x       | 6x    |
| 7425     |         | 7a         | 592     | 4x       | 6x    |
| 7426     |         | 4b         | 2931,5  | 3x       | 5x    |
| 7432     |        | 4b         | 2931,5  | 1x       | 1x    |
| 7433     |       | 4b         | 2931,5  | 1x       | 1x    |
| 7434     |       | 4a         | 2550    | 1x       | -     |
| 7436     |       | 4a         | 3808    | -        | 1x    |
| 7437     |       | 2          | 2283    | 1x       | 1x    |
| 7438     |       | 3          | 2283    | 1x       | 1x    |
| 7439     |       | 4b         | 463,5   | 1x       | 2x    |
| 7440     |       | 7b         | 466,5   | 2x       | 2x    |
| 7441     |       | 7b         | 466,5   | 1x       | 2x    |
| 7442     |       | 7b         | 2929    | 1x       | 1x    |

| Item No. | Part   | Sect. Ref. | Size mm                 | Quantity |         |
|----------|--|------------|-------------------------|----------|---------|
|          |  |            |                         | 7800     | 11500   |
| 7443     |             | 7b         | 2929                    | 1x       | 1x      |
| 7444     |             | 4a         | 2546                    | 1x       | -       |
| 7446     |             | 4a         | 3804                    | -        | 1x      |
| 7447     |             | 7a         | 2550                    | 1x       | -       |
| 7449     |             | 7a         | 3808                    | -        | 1x      |
| 7450     |             | 5a         | 557                     | 3x       | 3x      |
| 7451     |            | 5a         | 557                     | 3x       | 3x      |
| 7452     |           | 8a         | 663                     | 3x       | 3x      |
| 7453     |           | 5a         | 892                     | 3x       | 3x      |
| 7454     |           | 5a         | 892                     | 3x       | 3x      |
| 7455     |           | 8a         | 908                     | 3x       | 3x      |
| 7456     |           | 8a         | 908                     | 3x       | 3x      |
| 7457     | <br>Nylon | 5a<br>5b   | 9300 x 15<br>11500 x 15 | 1x<br>-  | -<br>1x |
| 7460     |           | 5b         | 1186                    | 1x       | 2x      |
| 7461     |           | 5b         | 1186                    | 1x       | 2x      |
| 7462     |           | 8b         | 1218                    | 1x       | 2x      |

| Item No. | Part  | Sect. Ref. | Size mm | Quantity |       |
|----------|---|------------|---------|----------|-------|
|          |   |            |         | 7800     | 11500 |
| 7463     |    | 5b         | 434     | 1x       | 2x    |
| 7464     |    | 5b         | 434     | 1x       | 2x    |
| 7465     |    | 8b         | 463,5   | 1x       | 2x    |
| 7466     |    | 8b         | 463,5   | 1x       | 2x    |
| 7467     |    | 7b         | 50      | 4x       | 4x    |
| 7468     |    | 7a         | 52      | 1x       | 1x    |
| 7469     |   | 7a         | 52      | 1x       | 1x    |
| 7470     |  | 7b         | 461     | 1x       | 1x    |
| 7471     |  | 7b         | 461     | 1x       | 1x    |

# Safety Warning

- PLEASE READ THESE INSTRUCTIONS CAREFULLY AND COMPLETELY BEFORE ASSEMBLING YOUR GREENHOUSE.**
- Sharp edges and corners can cause injury. Always wear protective glasses, gloves, shoes and headgear when handling the aluminium profiles, glass and polycarbonate sheets. Broken glass is a safety hazard – always clear up immediately and dispose of with care.
- The product you have purchased is intended only for growing plants and should only be used for this purpose. When used for other purposes we will take no responsibility.
- It is recommended that this greenhouse is assembled by two people.
- When using a step ladder one person should steady it at all times whilst the other works.
- Should you encounter difficulties constructing this house, or in fitting the glass or polycarbonate sheets, please contact your retailer  
– **do not use force!**
- The greenhouse must always be anchored.

## Assembly Instructions

### SITE SELECTION

Always try to select a sunny location, sheltered from the wind as much as possible.

### IMPORTANT

Before assembling your new greenhouse, please check that all parts in the provided list are included. Please take each bundle out of the packaging in order to identify the parts better.

It is important that the opened bundles do not get mixed with one another.

If something is missing please contact your retailer.

**Note** - The UV-resistant side of the polycarbonate panes is indicated by a plastic film or printing at the edge. **This side must face outside.**

In order to seal the greenhouse effectively it is suggested that you apply neutral silicone as shown in diagrams (4b.7), (4b.8), (7a.6) and (7a.8). Silicone is provided for this purpose.

### NECESSARY TOOLS

Screw drivers (Normal and Crosshead PH2)  
Rubber Hammer  
2 x 1.8m ladder  
10 mm socket spanner or wrench  
10 mm combination spanner  
Craft knife  
Measuring stick  
Spirit level  
Accu-drill with adjustable torque

### MAINTENANCE

The greenhouse should be thoroughly washed with a gentle detergent occasionally. Please check that the detergent used does not react aggressively with aluminium or plastic. Ensure that the door tracks are cleaned

regularly to avoid a build-up of debris.

### 0. FOUNDATION

**Important!** The foundation must be exactly right angular and level. To achieve this you will require a spirit level and a right angle.

**Note** - If the distance between the two opposite corners is the same then the foundation is right angular.

For the erection of this greenhouse we suggest a solid foundation constructed from concrete, brickwork or stonework. If you have no experience with the construction of such a foundation please consult a company specialising in this work. Materials and tools for the preparation of the suggested foundation are not provided.

The suggested foundation allows the door to be assembled in the front of the greenhouse. The door can also be assembled on any other side if required. Please then prepare the 210mm wide foundation on this side using length C or D as reference.

Foundations must extend down below the frost level.

**Diagrams in a single frame show the view from inside the greenhouse. Those enclosed in a double frame show the view from outside the greenhouse.**

### 1. BACK ELEMENT

**Note** - If the door is to be assembled on this side of the house remove one of the middle bars (7311)⓪.

Push seal (7396) into the sill bar (7304 / 7306) and cut to fit both ends (1.1) (1.2).

Lay all of the parts, according to the model, on the floor and loosely connect by inserting bolts (7052) into the bolt channels.

Take care that the eave angles (7314 / 7316) are pushed into the corner of both corner bars (7310) (1.3) (1.4) and that corner bars (7310) and middle bars (7311) sit correctly on the assembly edge on the eave angle (1.9) (1.12).

Assemble diagonal bars (7312) on both sides (1.3) (1.4) (1.10) (1.11). At the sill loosely attach using bolt (7050). (7050) will be removed during glazing (section 7b).

### 2. PLAIN GABLE END L

**Note** - If the door is to be assembled on this side of the house remove middle bar (7311)⓪.

Push seal (7396) into sill bar (7304) and cut to fit the ends (2.1) (2.2).

Lay all of the parts on the floor and loosely connect by inserting bolts (7052) into the bolt channels.

Assemble end bar (7319) into the recess in corner bar (7437) (2.3) (2.4) and then (7437) onto sill bar (7304) (2.5) (2.6).  
Assemble middle bars (7311) (2.7) (2.8).

Assemble diagonal bar (7312) (2.3) (2.4) (2.9) (2.10). At the sill loosely attach using bolt (7050). (7050) will be removed during glazing (section 7b).

### 3. PLAIN GABLE END R

**Note** - If the door is to be assembled on this side of the house remove middle bar (7311)⓪.

Assemble all parts as in Section 2.

### 4a. CONNECTING THE ELEMENTS

Push seal (7396) into the sill bar (7304 / 7306) and cut to fit both ends (4a.1) (4a.2).

To connect the previously prepared sections, loosely prepare bolts (7399) and nuts (7053) in sill bars (7304) as shown in (4a.3). Lower corner bars (7310) fitting the bolt heads of (7052) into the bolt channels of (7310) (4a.4).

Assemble diagonal bars (7312) on both sides (4a.5). At the sill loosely attach using bolt (7050). (7050) will be removed during glazing (section 7b).

Using bolts (7399) and nuts (7053), connect end bars (7319) and (7320) to corner bars (7310) ensuring they are pushed against the eave angle bar (4a.6) (4a.7).

Loosely prepare bolts (7399) and nuts (7053) in sill bars (7304 / 7306) as shown in (4a.3). Lower corner bars (7437 / 7438), fitting the bolt heads of (7052) into the bolt channels of (7437 / 7438) (4a.4).

Assemble front bar (7444 / 7446) into the recess in corner bars (7337 / 7438) using bolts (7399) and nuts (7053) (4a.8) (4a.9).

Assemble ridge bar (7434 / 7436) onto the ends of corner bars (7437 / 7438) (4a.10) (4a.11)

Assemble diagonal bars (7312) in the front. At the sill loosely attach using bolt (7050). (7050) will be removed during glazing (section 7b).

Position the assembled frame onto the prepared foundation.

Check that the house is level and drill Ø6 holes through the prepared holes in (7304) and (7306).

Insert wall plugs (7421) into the holes and connect loosely to the foundation using screws (7411) (4a.12).

#### 4b. ROOF

Loosely connect middle bars (7311) between sill (7304 / 7306) and horizontal bar (7444 / 7446) (4b.1) (4b.2).

Loosely connect middle bars (7439) between ridge (7434 / 7436) and horizontal bar (7444 / 7446) (4b.2).

Assemble roof corner bars (7432) (7433) onto the eave angle (4b.3) (4b.4). Ensure that the roof corner bars sit correctly on the assembly edge on the eave angle (4b.9) and that the small holes on the outside of (7432 / 7433) are at the eave end (4b.3).

Connect the roof corner bars (7432) (7433) to the ridge (7434 / 7436) and to the front corner bars (7437 / 7438) using plate (7348) (4b.6). Assemble side middle bars (7346) and (7347) between horizontal bars (7319 / 7320) and the roof corner bars (7432 / 7433) using plate (7348) (4b.5).

Insert bolts (7052) into the bolt channels in roof middle bars (7426) at the eave and lower onto the eave angle (7314 / 7316) using washer seal (7395) and nut (7053) (4b.7) (4b.8). Ensure that (7426) sit correctly on the assembly edge on the eave angle (4b.9) and that the small hole on the outside of (7426) is

at the eave end.

Insert (7052) into the bolt channel in (7426) at the ridge and connect onto ridge (7434 / 7436) (4b.10) .

Adjust the frame until it is completely right angular and tighten all screws (7411) and (7412) and nuts (7053). **Please do not over tighten.**

Assemble corner braces (7331) between each side middle bar (7311) and roof middle bar (7426) by inserting cropped head bolts (7399) into the bolt channels (4b.11) (4b.12).

#### 5a. SIDE WINDOW

Connect window bottom bar (7451) to side bars (7453) and (7454) (5a.2) (5a.3).

Slide pane D into the glazing channels (5a.5) in the assembled parts (5a.4) (5a.5).

Loosely prepare (7052) and (7053) in window top bar (7450) and slide onto (7453) and (7454) fitting the bolt heads of (7052) into the bolt channels and the glazing into the glazing channels (5a.6) (5a.7).

**Note** - If you have chosen 4mm glass glazing, cut glazing seal (7420) to fit and press into the space in the glazing channels on the inside of the window to fix the glass in place (5a.8) (5a.9).

Check that the side window is right angular before tightening all bolts.

**Please do not over tighten.**

Insert brush seal (7457) using one continuous length into the guides in the top and side bars (7454) (7450) (7453) (5a.10) and cut to length.

**Note** - If the brush seal (7457) protrudes along the top edge of (7450) when the window is closed, (see section 8a), it can be trimmed shorter (5a.10).

Connect window opener (7090) to (7451) using spacer (7413) and two screws (7349) (5a.11) (5a.12).

Connect plastic nut caps (6070) by pushing them onto all nuts (7053) (5a.13).

#### 5b. TOP WINDOW

Assemble all parts as in Section 5a.

#### 6a. SLIDING DOORS

Insert brush seal (7332) into the guides in the door bars (7352) (7353) (7355) (7356) (7357) (6a.2) and cut to length.

Loosely assemble wheels (7364), using spacers (7392) on each side of the wheel, bolt (7393), jump clip (7350) and lock nut (7360), onto door bottom bars (7355) (6a.3).

Connect (7355) with door side bars (7357) or (7358) (6a.3) (6a.7a).

Assemble door middle bars (7354) or (7384) with lock parts (7400), (7401) and (7402) using bolts (7404). Connect to door side bars (7357) or (7358) using bolts (7052), nuts (7053) and bolts (7405) (6a.4) (6a.5) (6a.8). **Do not over tighten bolts (7404) and (7405).**

Connect door top bars (7352) or (7353) to door side bars (7357) or (7358) (6a.6) (6a.7b).

Slide panes G into the glazing channels in the assembled parts (6a.9).

Loosely prepare (7052) and (7053) in door side bars (7356) and slide onto (7355), (7354) or (7384) and (7352) or (7353) fitting the bolt heads of (7052) into the bolt channels and the glazing into the glazing channels (6a.9) (6a.10). Insert door guides (2271) into the top of both doors (6a.6).

**Note** - If you have chosen 4mm glass glazing, cut glazing seal (7420) to fit and press into the space in the glazing channels on the inside of the door to fix the glass in place (6a.11).

#### 6b. DOOR FRAME AND STEP

Assemble door support (7362) onto the sill bar in the door opening using bolts (7390) (6b.1) (6b.2).

Tilt door wheel track (7351) to fit into the sill bar and lower into position (6b.3). Centre on the door opening and connect to the foundation using wall plug (2003) and screw (2002) (6b.4).

Connect door side frames (7361) to middle bars (7311). When in place connect to the top using bolt (7052) and nut (7053) (6b.5) - (6b.8).

At the bottom insert bolt (7052) into the channel on both sides of door step (7363) (6b.9) and slide the door step into place (6b.10) (6b.11).

#### 7. GLAZING OVERVIEW

Please sort the glazing according to your model size and glazing type before beginning. If you have chosen glass then panes E and F are identical on both sides.

**Note** - The UV-resistant side of the polycarbonate sheets is indicated by a plastic film or printing at the edge. **This side must face outside.** Loosen the film approximately 2cm at all edges of each pane before assembly. When the assembly of all sheets is finished completely remove all film from the sheets.

#### 7a. ROOF GLAZING / EAVE

Slide the roof glazing into the guides in the

roof profiles (7a.2) (7a.3). When two adjacent sheets are in place, screw glazing stops (7342) or (7343) onto the roof profile between them using the prepared holes and self-drilling screws (7349) (7a.4) (7a.5). The sheets should slide down to rest against these stops.

Angle the eave bar (7324 / 7326) into the eave angle (7a.6) and turn it down to rest against the eave angle. Connect it to the eave angle using bolts (7052) from outside and nuts (7053) inside the house (7a.7).

Insert glazing spacer (7424) over the inside edge of the eave angle (7a.9) and glazing spacer (7425) over the outside edge of the ridge bar (7a.10). At the ridge fix (7425) in place using screw (7349) (7a.10).

Assemble glazing end cover (7447 / 7449) at the ridge using bolts (7052) inserted into the bolt channels in the roof bars, and nuts (7053) (7a.10). At the same time position the plastic end caps (7468) and (7469) so that they cover the open ends of roof corner bars (7432 / 7433) and fit behind the end cover (7447 / 7449) (7a.10) (7a.11).

## 7b. SIDE GLAZING

Please decide at this point in which sections you will assemble the three side windows.

**Note:** These cannot be assembled into a corner section, beside each other or in sections adjacent to the door entrance. Glazing panes H can then be assembled into these sections instead of glazing pane A.

Press glazing seal (7382) into the top groove in each (7381) and cut to fit both ends.

If glazing with glass, press glazing seal (6090) onto the aluminium profiles (7b.2) and cut to length. **Note** - On all horizontal glazing guides it is recommended to use smaller lengths of the seal (6090) in the middle of each section. This will allow condensation which collects inside the house to escape.

**Note** - With Polycarbonate the glazing rubber is not required.

Through the positioning of the (7050) bolt head in the different guides in the glazing capping's, it is possible to glaze the greenhouse with  $\leq 4$  mm, 10 mm or 16 mm panes (7b.2). Prepare bolts (7050) in each glazing capping as shown (7b.3).

For 10mm glazing prepare 1 spacer (7407), in the middle / top of each pane A (7b.4). Position each glazing pane A or H into the frame and connect the vertical capping's (7372) or (7373) loosely with nuts (7053).

Lift pane A or H 15mm and connect capping's (7381) loosely under the pane.

**Note** - The bolts (7050) used to hold the diagonal braces in sections 1, 2, 3 and 4a

should be replaced at this point (7b.8).

For 10mm glazing prepare 4 spacers (7409) onto each (7319), (7320) and (7444 / 7446) (2 spacers for each pane E, F and J) (7b.5) (7b.6).

Position panes E, F and J.

Connect capping's (7442) or (7443) and then (7379) / (7470) or (7380) / (7471) loosely.

**Note** - For polycarbonate glazing insert spacers (7467) into the groove in end caps (7468) or (7469) depending on the thickness, 10mm = one (7467), 16mm = 2 (7467). The capping's (7442) and (7443) will then apply pressure to these holding the end caps (7468) and (7469) in place.

Tighten all nuts. **Please do not over tighten.**

**Note** - The vertical capping's can be best assembled when the top bolt is first inserted into the hole, then the middle and finally the bottom bolt. Ensure that the capping remains in contact with the sill bar.

## 8a. SIDE WINDOW ASSEMBLY

Remove nuts (7053) from the top two bolts holding capping's (7372) in the middle bars (7311) beside the window opening. Loosely prepare (7053) and (7399) in the lower hole in window side frames (7455) and (7456) (8a.1).

Turn window side frames (7455) and (7456) onto middle bars (7311) above glazing pane H (8a.2) and reconnect the top capping nut (7053) (8a.3) (8a.4).

Loosely prepare (7053) and (7399) in the lower hole in window sill bar (7452). Rotate it into position to cover glazing pane H fitting the middle capping bolt into the top hole on both sides of (7452) (8a.5). Reconnect the middle capping nut (7053) (8a.6).

Using screws (7088) assemble the window hinge (7419) onto the window side frames (7455) and (7456) (8a.7). **Note:** Only connect using the prepared long holes in the hinge.

Assemble the prepared side window (see section 5a) between the two window hinges (7419) using screws (7088). **Note:** Only connect using the prepared long holes in the hinge.

Close the window and ensure that it closes over the sill bar (7452) without contact. The window height can be adjusted using the long holes in hinge (7419) and when correct fixed by inserting extra screws into the other holes.

Connect window latches (6056) onto the sill bar (7452) using screws (7403) (8a.9). Locate them by aligning with the long holes in the window opener (7090) when the window is closed (8a.10).

When the window is closed the window opener

(7090) can be latched onto both (6056) to hold the window closed (8a.10).

**Note** - If the brush seal (7457) protrudes along the top edge of (7450) when the window is closed it can be trimmed shorter, see detail (5a.10).

Repeat for the other windows.

## 8b. TOP WINDOW ASSEMBLY

Remove nuts (7053) from the two bolts holding capping's (7440) and (7441) in the corner bar (7437 / 7438) and middle bar (7439) beside the window opening (8b.1).

Turn window side frames (7465) and (7466) onto the prepared bolts (8b.1) (8b.2) and reconnect the capping nuts (7053) (8b.3) (8b.4).

Loosely prepare (7053) and (7399) in the holes in window sill bar (7462). Rotate it into position fitting the head of (7399) into the inside bolt channel of the horizontal bar (7444 / 7446) (8b.5) (8b.6).

Using screws (7088) assemble the window hinge (7419) onto the window side frames (7465) and (7466) (8b.7). **Note:** Only connect using the prepared long holes in the hinge.

Assemble the prepared side window (see section 5b) between the two window hinges (7419) using screws (7088). **Note:** Only connect using the prepared long holes in the hinge.

Close the window and ensure that it closes over the sill bar (7462) without contact. The window height can be adjusted using the long holes in hinge (7419) and when correct fixed by inserting extra screws into the other holes.

Connect window latches (6056) onto the sill bar (7462) using screws (7403) (8b.9). Locate them by aligning with the long holes in the window opener (7090) when the window is closed (8b.10).

When the window is closed the window opener (7090) can be latched onto both (6056) to hold the window closed (8b.10).

**Note** - If the brush seal (7457) protrudes along the top edge of (7460) when the window is closed it can be trimmed shorter, see detail (5b.10).

(11500) Repeat for the other window.

## 9. FINAL STEPS

Insert eave plastic (7370) and (7371) into both ends of the eave bar (7324 / 7326) (9.1) (9.2).

**Note** - It can help to pull the eave bar at the top edge, carefully away from the house so that the opening for the plastic becomes larger.



Insert cropped head bolt (1412) into the bolt channel at the bottom of corner bar (7310) and connect parts (1405) and (1409) with aluminium nut (1002) on both sides (9.3). Fit elbow (1402) onto the bottom of down pipe (1415) (9.6) and then connect this to the eave plastic (7370) or (7371) (9.9). Fit the down pipe clamp (1403) around the down pipe and connect to (1409) (9.4). Insert screw (1006) to fix the down pipe in place (9.5).

Assemble door track (7359) into the door opening. Connect to (7444 / 7446) by inserting bolts (7052) into the bolt channel on the outside of these bars and connect with nuts (7053) (9.7). Include at both ends of door track bar (7359) bolt (7052) from outside and nut (3002) inside the door guide to prevent the door from sliding out of the track (9.7) (9.8).

Position the doors by inserting the plastic door guides (2271) into the guide in door track bar (7359) (9.9) (9.10a) and then lower the wheels onto the door track on bar (7351) (9.10b). Hook the door jump clips (7350) under the lip on (7351) and tighten the lock nuts (7360) (9.10b).

Connect plastic nut caps (6070) by pushing them onto all visible nuts (7053) inside the building (9.11).

## FINISHING

If desired, it is possible to further seal the greenhouse at the edges using neutral silicone. Silicone is not included for this purpose.

Place the warning label inside the house.

Please check the tightness of all nuts and bolts two weeks after completing the assembly.

A full range of greenhouse accessories, to help you make the most of this product, is available from your stockist. Please take a look at the possibilities.

## SAFETY NOTICE

In the event of high wind conditions, close the doors and all vents.

In the event of heavy snowfall, clear the roof of the building or take suitable measures to support the roof. Heat the building in winter.

## COMMENTS

For the complete protection of your new greenhouse, we advise you to include it in your **house insurance**. Please take note of possible building rules relating to the positioning of greenhouses.

Please stick the included greenhouse model label onto door bar (7352) or (7353) after successfully assembling this product. This information is

important in the event that replacement parts are later required.

Please keep these assembly instructions in a safe place, for future reference!

Our policy is one of continuous improvement and we reserve the right to change the specifications without prior notice.

## 1. BITTE LESEN SIE DIESE MONTAGEANLEITUNG VOR BEGINN DES AUFBAUS KOMPLETT DURCH!

- Bei der Handhabung von Glas, Hohlkammerplatten oder Gewächshausteilen sind immer eine Schutzbrille, Handschuhe, Sicherheitsschuhe und ein Kopfschutz zu tragen, da scharfe Kanten zu Verletzungen führen können. Gebrochenes Glas ist ein Sicherheitsrisiko. Beseitigen Sie es mit der gebotenen Vorsicht.
- Das von Ihnen erworbene Gewächshaus ist für die Aufzucht von Pflanzen konstruiert und sollte auch **ausschließlich** dafür genutzt werden. Bei anderweitiger Nutzung ist jegliche Haftung ausgeschlossen.
- Für die Montage dieses Gewächshauses sind zwei Personen erforderlich.
- Bei Benutzung einer Stufenleiter sollte immer eine zweite Person die Leiter sichern.
- Sollten Sie beim Montieren des Hauses oder beim Einsetzen der Verglasung Schwierigkeiten haben, dann setzen Sie sich bitte mit Ihrem Händler in Verbindung – **Wenden Sie keine Gewalt an!**
- Das Gewächshaus muss verankert werden.

## Aufbaubeschreibung

### STANDORTWAHL

Suchen sie den sonnigsten, aber gleichzeitig einen windgeschützten Platz aus.

### WICHTIG

Bevor Sie mit der Montage Ihres Gewächshauses beginnen, überprüfen Sie, ob alle in der Liste angegebenen Teile vorhanden sind. Nehmen Sie die einzelnen Bündel aus der Verpackung, um sie besser identifizieren zu können. Es ist wichtig, dass die geöffneten Bündel nicht durcheinander geraten. Sollte trotz sorgfältigster Prüfung etwas fehlen, setzen Sie sich bitte mit Ihrem Händler in Verbindung.

**Achtung** – Die UV-beständige Seite der Hohlkammerplatten ist durch eine Plastikfolie oder einen gedruckten Hinweis an den Kanten gekennzeichnet. **Diese Seite muss nach außen zeigen!**

Zur gründlichen Abdichtung des Gewächshauses wird empfohlen, neutral vernetzendes Silikon, wie in den Abbildungen (4b.7), (4b.8), (7a.6) und (7a.8) gezeigt, zu verwenden. Silikon ist beigefügt.

### BENÖTIGTE WERKZEUGE

Schraubendreher (Schlitz und Kreuzschlitz PH2)

Gummihammer

2 Leitern (1.80 m)

Schraubenschlüssel 10 mm

Ring-Gabelschlüssel

Messer

Zollstock

Wasserwaage

Akku-Schrauber mit einstellbarem Drehmoment.

### WARTUNG

Das Gewächshaus sollte hin und wieder gründlich mit einer milden, PH-neutralen

Reinigungslösung abgewaschen werden. Das Glas kann mit einem milden Reinigungsmittel gesäubert werden, das weder die Kunststoffteile, noch den Aluminiumrahmen, oder die Glasfederklammern angreift. Reinigen Sie die Türlaufschiene regelmäßig.

### 0. FUNDAMENT

**Wichtig!** Das Fundament muss absolut rechteckig und eben sein. Um das zu erreichen, werden eine Wasserwaage und ein Winkel benötigt.

**Achtung:** Wenn der Abstand zwischen zwei gegenüberliegenden Winkeln gleich ist, dann ist das Fundament rechteckig.

Für den Aufbau dieses Gewächshauses empfehlen wir ein solides Fundament aus Beton, Ziegelsteinen oder Mauerwerk. Wenn Sie mit der Konstruktion eines solchen Fundamentes keine Erfahrung haben, beauftragen Sie besser eine Firma, die auf diese Arbeiten spezialisiert ist. Material und Werkzeug für die Erstellung des empfohlenen Fundamentes sind nicht im Lieferumfang enthalten.

Halten Sie sich an die vorgeschlagene Fundamentvorbereitung, können Sie die Tür, wenn gewünscht, nicht nur in der Vorderseite sondern auch in jede andere Wand montieren. Das Fundament muss dann an der Auflage 210mm breit sein. An dieser Seite halten Sie sich an die Längen C or D als Referenz.

Das Fundament muss frostfrei gegründet werden.

**Alle Zeichnungen sind von der Innenseite des Hauses gesehen abgebildet mit Ausnahme der Abbildungen, die in einem Doppelrahmen dargestellt sind, diese beschreiben die Außenansicht.**

### 1. RÜCKWAND

**Achtung:** Wenn die Tür auf dieser Seite des Hauses eingesetzt werden soll, Eine Zwischenprofil (7311)Ⓢ entfernen.

Drücken Sie die Dichtung (7396) in das Bodenprofil (7304 / 7306) und schneiden Sie sie auf Länge (1.1)(1.2).

Alle Teile auf dem Boden auslegen, die Schrauben (7052) in die Schraubenkanäle schieben und lose verschrauben. Achten Sie darauf, dass die Traufenwinkel (7314 / 7316) in die Ecken beider Eckprofile (7310) (1.3) (1.4) gedrückt werden und dass die Eckprofile (7310) und Zwischenprofile (7311) exakt an der Montagekante des Traufenwinkels sitzen (1.9) (1.12).

Die Diagonalprofile (7312) an beiden Seiten montieren (1.3) (1.4) (1.10) (1.11). Am Bodenprofil lose mit Schrauben (7050) befestigen. (7050) werden während der Verglasung (Schritt 7b) entfernt.

### 2. GIEBELENDE L

**Achtung:** Wenn die Tür auf dieser Seite des Hauses eingesetzt werden soll, das Zwischenprofil (7311)Ⓢ entfernen.

Die Dichtung (7396) in das Bodenprofil (7304) drücken und auf Länge schneiden (2.1) (2.2).

Alle Teile auf den Boden legen und lose verschrauben durch Einführen der Schrauben (7052) in die Schraubenkanäle. Das Traufenprofil (7319) an der Aussparung des Eckprofile (7437) befestigen (2.3) (2.4) und dann das Eckprofile (7437) am Bodenprofil (7304) (2.5) (2.6) montieren. Die Zwischenprofile (7311) (2.7) (2.8) am Bodenprofil (7304) und Traufenprofil (7319) (2.9) auf Stoß montieren.

Das Diagonalprofil (7312) (2.5) (2.9) (2.10) befestigen. An der Schwelle lose mit den Schrauben (7050) montieren. Die Schrauben

(7050) werden während der Verglasung entfernt (Schritt 7b).

### 3. GIEBELENDE R

**Achtung:** Wenn die Tür auf dieser Seite des Hauses eingesetzt werden soll, das Zwischenprofil (7311)Ⓞ entfernen.

Alle Teile wie in Schritt 2 montieren.

### 4a. ZUSAMMENBAU DER ELEMENTE

Drücken Sie die Dichtung (7396) in das Bodenprofil (7304 / 7306) und schneiden Sie sie auf Länge (4a.1)(4a.2).

Um die vormontierten Wände miteinander zu verbinden, locker Sie bitte die Schrauben (7399) und Muttern (7053) im Bodenprofil (7304) wie in Abb. (4a.3) dargestellt. An der niedrigeren Eckprofilen führen Sie die Schraubenköpfe in den Schraubenkanal des Profils (7310) ein (4a.4).

Montieren Sie die Diagonalen (7312) an beiden Seiten wie in Abb. (4a.5) dargestellt. Am Boden befestigen Sie die Schraube (7050) nur lose, da Sie beim Verglasen in bei Schritt 7 noch mal entfernt werden muss.

Verwenden Sie die Schrauben (7399) und Muttern (7053) um die Profile (7319) mit den Eckprofilen (7310) zu verbinden und stellen Sie sicher, dass sie gegen das sie gegen das Dachprofil drücken (4a.6)(4a.7).

Montieren Sie die Schrauben (7399) und (7053) lose in den Bodenprofilen (7304/7306) wie in Abb. (4a.3) dargestellt. Führen Sie die Schrauben (7053) in die Schraubenkanäle der Profile (7437/7438), wie in Abb. (4a.4), ein.

Befestigen Sie bitte die Frontprofile (7444/7446) in der Aussparung der Eckprofile (7337/7438) und verwenden Sie hierzu die Schrauben (7399) und die Muttern (7053).

Befestigen Sie bitte Das Giebelprofil (7434/7436) auf den Eckprofilen (7437/7438). Siehe Abb. (4a.10)(4a.11).

Befestigen Sie die Diagonalprofile in der Frontseite (7312). Am Bodenprofil ziehen Sie die Schrauben nicht feste an (7050) beim Verglasungsvorgang (7B) müssen diese wieder gelöst werden.

Richten Sie den Rahmen nun auf dem vorbereiteten Fundament aus. Überprüfen Sie, ob das Haus im Lot ist und bohren Sie Ø6 Löcher durch die Vorbereiteten Löcher in (7304) und (7306). Führen Sie die Dübel (7421) ein und verbinden Sie den Rahmen lose auf dem Fundament. Verwenden Sie hierzu die Schrauben (7411) wie in Abb. (4a.12).

### 4b. DACH

Befestigen Sie nun bitte die Profile (7439) zwischen den Giebelprofilen (7434/7436) und den waagrechten Profilen (7444/7446) wie in Abb. (4b.2).

Befestigen Sie nun bitte die Profile (7439) zwischen den Giebelprofilen (7434/7436) und den waagrechten Profilen (7444/7446) wie in Abb. (4b.2).

Befestigen Sie nun die Dacheckprofile (7432/7433) an den Giebelprofilen (7434/7436) und den Eckprofilen (7437/7438) verwenden Sie hierbei die Eckbleche (7348) Abb. (4b.6)

Schrauben Sie die seitlichen Mittelprofile (7346/7347) nun zwischen den Profilen (7319/7320) und den Dacheckprofilen (7432/7433) an. Auch hier verbauen Sie, wie in Abb. (4B.5) dargestellt die Eckbleche (7348).

Führen Sie nun die Schrauben (7052) in die Schraubenkanäle der Zwischenprofile (7426) ein. An der Traufe und weiter unten an dem Traufenwinkel (7314/7316) verwenden Sie Unterlegscheiben (7053) und Muttern (7053) Abb. (4b.7)/(4b.8). Vergewissern Sie sich, dass (7426) korrekt auf der Ecke des Traufenwinkels und passgenau zu dem kleinen Loch auf der Außenseite der Traufe (7426) sitzt (4b.9).

Führen Sie (7052) in den Schraubenkanal (7426) am Giebel ein und verbinden Sie es. (7434/7436) (4b.10).

Überprüfen Sie den Rahmen, ob alles im Winkel ist und falls ja, zeihen Sie alle Schrauben (7411/7412) an.

**WICHTIG: bitte überdrehen Sie die Schrauben nicht!**

Montieren Sie nun die Eckwinkel (7331) zwischen jedes seitliche Mittelprofil (7311) und Dachzwischenprofil (7426). Verwenden Sie hierzu die Hammerkopfschrauben (7399) Abb. (4b.11/4b.12)

### 5a. SEITENFENSTER

Das untere Fensterprofil (7451) mit den Seitenprofilen (7453) und (7454) verschrauben (5a.2) (5a.3). Scheibe D in die entsprechenden Führungen (5a.5) der montierten Profile schieben (5a.4) (5a.5). (7052) und (7053) lose in das obere Fensterprofil (7450) stecken und auf (7453) und (7454) schieben, wobei die Schraubköpfe von (7052) in die Schraubenkanäle und die Verglasung in die Verglasungskanäle geführt werden müssen (5a.6) (5a.7).

**Achtung:** Wenn Sie 4 mm Verglasung gewählt haben, schneiden Sie die Dichtung (7420) passend und drücken Sie diese in die Verglasungskanäle an der Fensterinnenseite um das Glas zu fixieren (5a.8) (5a.9)

Prüfen Sie, ob das Fenster rechtwinklig ist, bevor alle Schrauben fest angezogen werden.

**Die Schrauben müssen fest, aber nicht zu fest angezogen werden.**

Die Bürstendichtung (7457) in fortlaufender Länge oben in die Führungen und Seitenprofile (7454) (7450) (7453) (5a.10) hineinschieben und auf Länge schneiden. **Achtung:** Wenn die Bürstendichtung (7457) sich sichtbar verschiebt wenn das Fenster geschlossen wird (siehe Schritt 8a) kann diese gekürzt werden (5a.10).

Den Fensteraufsteller (7090) mittels Abstandsplatte (7413) und zweier Schrauben (7349) montieren (7349) (5a.11) (5a.12). Die Kunststoffkappen (6070) auf alle Schrauben (7053) drücken (5a.13).

### 5b. OBERFENSTER

Alle Teile wie in Schritt 5a montieren.

### 6a. SCHIEBETÜREN

Die Bürstendichtung (7332) in die Türführungen (7352) (7353) (7355) (7356) (7357) (6a.2) hineinschieben und auf Länge schneiden.

Die Türlaufrollen (7364) lose auf den unteren Türprofilen (7355) befestigen mit Abstandshaltern (7392) auf jeder Seite der Rolle, Schraube (7393), Festhalter (7350) und selbstschneidender Mutter (7360) (6a.3) Die unteren Türprofile (7355) mit den Seitenprofilen (7357) oder (7358) verschrauben. (6a.3) (6a.7a).

Die mittleren Türprofile (7354) und (7384) mit dem zweiflügeligen Kastenriegelschloss (7400) (7401) und (7402) mit Hilfe von Schrauben (7404) verbinden. Die Seitenstreben (7357) oder (7358) mit Schrauben (7052), Muttern (7053) und Schrauben (7405) befestigen (6a.4) (6a.5) (6a.8). **Die Schrauben (7404) und (7405) müssen fest, aber nicht zu fest angezogen werden.**

Die oberen Türprofile (7352) oder (7353) mit den seitlichen Türprofilen (7357) oder (7358) verschrauben (6a.6) (6a.7b).

Die Scheiben G in die Verglasungsschienen der montierten Teile schieben (6a.9).

(7052) und (7053) lose in die Türseitenprofile (7356) einführen und auf (7355), (7354) oder (7384) und (7352) oder (7353) schieben und die Schraubenköpfe (7052) in die Schraubenkanäle, sowie die Verglasung in die Verglasungskanäle (6a.9) (6a.10) einpassen. Die Türführungen (2271) oben in beide Türen einführen (6a.6).

**Achtung:** Wenn Sie 4 mm Verglasung gewählt haben, schneiden Sie die Glasdichtung (7420) passend und drücken sie in die Verglasungskanäle auf der Innenseite der Tür um das Glas zu fixieren. (6a.11).

## 6b. TÜRRAHMEN UND TÜRSCHWELLE

Türversteifung (7362) mittels Schrauben (7390) in der Türöffnung auf dem Bodenprofil (6b.1) (6b.2) befestigen.

Türlaufschiene (7351) neigen, um sie in das Schwellenprofil zu schieben und in Position bringen (6b.3). In der Mitte der Türöffnung platzieren und mittels Wanddübeln (2003) und Schrauben (2002) am Fundament anschrauben (6b.4).

Die Türseitenrahmen (7361) mit den Zwischenprofilen (7311) verschrauben. Wenn sie in Position gebracht sind, oben mit Schrauben (7052) und Muttern (7053) (6b.5) – (6b.8) verschrauben.

Unten Schrauben (7052) in die Kanäle auf beiden Seiten der Türschwelle (7363) (6b.9) einführen und die Türschwelle an die richtige Stelle schieben (6b.10)(6b.11).

## 7. GLASÜBERSICHT

Bitte sortieren Sie die Verglasung anhand Ihrer Modellgröße und Verglasungsart bevor Sie beginnen. Wenn Sie Glas gewählt haben, dann sind die Scheiben E und F auf beiden Seiten identisch.

**Achtung** – Die UV-beständige Seite der Hohlkammerplatten ist durch eine Plastikfolie oder einen gedruckten Hinweis an den Kanten gekennzeichnet. **Diese Seite muss nach außen zeigen.** Lösen Sie die Folie vor dem Aufbau ca. 2 cm weit an allen Kanten. Wenn alle Scheiben eingesetzt sind, entfernen Sie die Folie vollständig von allen Scheiben.

## 7a. VERGLASUNG VON DACH / TRAUFE

Schieben Sie die Dachverglasung in die Führungsschienen der Dachprofile (7a.2) (7a.3).

Wenn zwei nebeneinander liegende Scheiben in Position sind, die Verglasungs-Stopps (7342) oder (7343) durch die vorgebohrten Löcher mit selbstschneidenden Schrauben (7349) auf dem dazwischen liegenden Dachprofil anbringen(7a.4) (7a.5). Die Scheiben sollten herunterrutschen und an diesen Stopps hängenbleiben.

Das Traufenprofil (7324 / 7326) an der Nut des Traufenwinkels (7a.6) ansetzen und herunterziehen, um es gegen den Traufenwinkel zu drücken. Alternativ kann das Traufenprofil seitlich eingeschoben werden. Mit Schrauben (7052) von außen und Muttern (7053) von der Hausinnenseite mit dem Traufenwinkel verschrauben (7a.7).

Schieben Sie die Glasdistanzhalter (7424) wie in Abb. (7a.9) auf den Traufenwinkel und den Glasdistanzhalter (7425) über die Außenecke des Giebels (7a.10). Zur Befestigung des Giebels (7425) verwenden Sie die Schraube (7349) (7a.10).

Zur Befestigung des Verglasungsendprofil (7447/7449) am Giebel verwenden Sie die Schrauben (7052), welche Sie in den Schraubenkanal der Dachzwischenprofile schieben und mit der Mutter(7053) verschrauben. Abb. (7a.10). Zur gleichen Zeit befestigen Sie die Kunststoffkappen (7468 und 7469) so, dass Sie die offenen Enden der Dacheckprofile (7432/7433) abdecken und hinter die Endkappen (7447/7449) passen. Abb. (7a.10)(7a.11)

## 7b. SEITENVERGLASUNG

Bitte entscheiden Sie sich an dieser Stelle, in welche Felder Sie die beiden Seitenfenster einbauen wollen. **Achtung:** Die Fenster können nicht in ein Feld an der Ecke oder direkt neben dem Türeingang montiert werden. Es muss eine komplette Sektion dazwischen liegen. Die Glasscheiben H werden dann anstelle der Glasscheiben A in diese Felder eingesetzt.

Glasdichtung (7382) jeweils in die obere Nut in (7381) drücken und passend schneiden.

Bei Verglasung mit Glas die Glasdichtung (6090) auf die Aluminiumprofile (7b.2) drücken und auf Länge schneiden.

**Achtung:** Es ist empfehlenswert, die Glasdichtungen (6090) auf allen horizontalen Glasführungen etwas kürzer zu schneiden und mittig zu platzieren. Dadurch kann Kondenswasser, das sich im Inneren ansammelt, entweichen.

**Achtung:** Bei Polycarbonat-Verglasung wird keine Gummidichtung benötigt.

Durch das Einführen der Schraubköpfe (7050) in die verschiedenen Führungen in der Abdeckleiste ist es möglich, das Gewächshaus mit ≤ 4 mm, 10 mm oder 16 mm starken Scheiben zu verglasen. (7b.2). Führen Sie in jede Abdeckleiste Schrauben (7050) ein, wie in (7b.3) gezeigt.

Für 10 mm Verglasung 1 Abstandshalter (7407) in die Mitte/oberhalb jeder Scheibe A (7b.4) einführen. Jede Glasscheibe A in den Rahmen schieben und die vertikalen Abdeckleisten (7372) oder (7373) lose mit den Muttern (7053) verschrauben.

Scheibe A 15 mm hoch anheben und mit den Abdeckleisten (7381) lose unter der Scheibe verbinden.

**Achtung:** Die Schrauben (7050), die benutzt wurden, um die Diagonalprofile in Schritt 1, 2, 3 und 4a zu halten, müssen jetzt entfernt und

neu montiert werden (7b.8).

Für 10 mm Verglasung 4 Abstandshalter (7409) jeweils auf (7319), (7320) und (7444 / 7446) (2 Abstandshalter für jede Scheibe E, F und J) (7b.5) (7b.6) einfügen. Scheiben E, F und J justieren. Abdeckleisten (7442) oder (7443) montieren und dann (7379) / (7470) oder (7380) / (7471) lose einbauen.

**Wichtig:** Bei Polycarbonateindeckung verwenden Sie die Distanzhülsen (7467) unterhalb der Endkappen (7468) oder (7469) je nach Stärke der Verglasung. Bei 10mm verwenden Sie eine (7467), bei 16mm zwei (7467). Die Kappen (7442) und (7443) üben dann Druck auf die Endkappen halter (7468) und (7469) aus und fixieren Sie.

**Alle Schrauben fest, aber nicht zu fest anziehen.**

**Achtung:** Die vertikalen Abdeckleisten lassen sich am besten montieren, wenn zuerst die obere Schraube, danach die mittlere und zuletzt die untere Schraube in das Loch eingesetzt werden. Stellen Sie sicher, dass die Abdeckleisten mit dem Bodenprofil in Kontakt bleiben.

## 8a. MONTAGE SEITENFENSTER

Entfernen Sie die Muttern (7053) von den vertikalen Abdeckleisten (7372) an den mittleren Profilen (7311) neben der Fensteröffnung. Schieben Sie (7053) und (7399) lose in die unteren Löcher der Fensterseitenrahmen (7311) oberhalb der Glasscheibe H (8a.2) und montieren Sie die Kunststoffkappe (7053) neu (8a.3) (8a.4).

Schieben Sie (7053) und (7399) in das untere Loch des Fensterbankprofils (7452). Drehen Sie das Profil so weit, dass es die Glasscheibe H und die mittlere sichtbare Mutter an beiden Seiten (7452) abdeckt (8a.5). Befestigen Sie die mittleren sichtbaren Muttern (7053) wieder (8a.6).

Befestigen Sie das Fensterscharnier (7419) mit den Schrauben (7088) an den Fensterrahmen (7455) und (7456) (8a.7).

**Achtung:** Benutzen Sie ausschließlich die dafür vorgesehenen Löcher im Scharnier.

Befestigen Sie das vormontierte Fenster (siehe Schritt 5a) mittels Schrauben (7088) an den Seitenprofilen mit den Fensterscharnieren (7419). **Achtung:** Benutzen Sie ausschließlich die dafür vorgesehenen Löcher im Scharnier.

Schließen Sie das Fenster und stellen Sie sicher, dass es über dem Fensterbankprofil (7452) ohne Kontakt schließt. Die Fensterhöhe kann mit Hilfe der Löcher im Scharnier (7419) justiert werden. Wenn das Fenster richtig justiert ist, fixieren Sie dieses indem Sie zusätzliche Schrauben in die übrigen Löcher schrauben.

Montieren Sie die Einrastzapfen (6056) am Fensterbankprofil (7452) mittels Schrauben (7403) (8a.9). Platzieren Sie diese durch Ausrichtung mit den langen Löchern im Fensteraufsteller (7090) wenn das Fenster geschlossen ist (8a.10). Wenn das Fenster geschlossen ist, kann der Fensterausteller (7090) an beiden Einrastzapfen (6056) eingerastet werden um das Fenster fest zu schließen. (8a.10).

**Achtung:** Wenn sich die Bürstendichtung (7457) im oberen Fensterprofil (7450) verschiebt wenn das Fenster geschlossen wird, kann diese entsprechend gekürzt werden, Details siehe (5a.10).

Verfahren Sie für die Montage des anderen Fensters genauso.

## 8b. MONTAGE OBERFENSTER

Entfernen Sie die Muttern (7053) der Schrauben, der Verglasungsleisten (7440) und (7441) von den Eckprofilen (7437/7438) und den Zwischenprofilen (7439) rechts und links der Fensteröffnung. Abb. (8b.1). Stecken Sie die Fensterseitenprofile (7465) und (7466) nun auf die vorbereiteten Schrauben (8b.1)(8b.2) und befestigen Sie anschließend wieder die Verglasungsleisten mit der Mutter (7053) (8b.3) und (8b.4).

Schrauben Sie lose die (7053) und (7399) in die Löcher des unteren Fensterprofils (7462). Bewegen Sie so, dass der Kopf von (7399) in den Schraubenkanal des vertikalen Profils passt (7444/7446). Wie in Abb. (8b.5 und 8b.6) dargestellt.

Verwenden Sie die Schraube (7088) um das Fensterscharnier (7419) zu befestigen. Scharubn Sie es an die Seitenrahmen (7465) und (7466) wie in Abb. (8b.7).

**Wichtig:** Verwenden Sie nur die vorbereiteten Langlöcher im Scharnier.

Befestigen Sie nun die vorbereiteten Fenster (Sektion 5B) zwischen den Zwei Fensterscharnieren (7419) mit den Schrauben (7088)

**Wichtig:** Verwenden Sie nur die vorbereiteten Langlöcher im Scharnier.

Schließen Sie nun das Fenster und stellen Sie sicher, dass es oberhalb der Fensterbank (7462) schließt, ohne diese zu berühren. Die Fensterhöhe kann über die Langlöcher in den Scharnieren (7419) angepasst werden. Wenn es korrekt schließt, schrauben Sie die die übrigen Schrauben fest.

Schrauben Sie nun die Fensternocken (6056) mit den Schrauben (7403) an die Fensterbank (7462) Abb. (8b.9). Passen Sie nun die richtige Position des Fensterhebels (7090) mit Hilfe des Schraubenkanals bei geschlossenem Fenster an. (8b.10). Wenn das Fenster

geschlossen ist, muss der Fensterhebel (7090) auf beiden Fensternocken (6056) sitzen und damit das Fenster verschließen. (8b.10)

**Wichtig:** wenn die Bürstendichtung (7457) über die Ecke von (7460) bei geschlossenem Fenster übersteht, kann man es einfach passend schneiden. Abb. (5b.10)

(11500) für das andere Fenster wiederholen.

## 9. DIE LETZTEN HANDGRIFFE

Führen Sie die Regenrinnenanschlussstücke (7370) und (7371) in beide Enden des Traufenprofils (7324 / 7326) (9.1) (9.2) ein.

**Achtung:** Es kann helfen, das Traufenprofil an der oberen Kante vorsichtig vom Haus weg zu ziehen, so dass die Öffnung für den Kunststoff größer wird.

Führen Sie die Hammerkopfschrauben (1412) in den Schraubenkanal am unteren Ende des Eckprofils (7310) ein und verschrauben Sie (1405) und (1409) mit der Aluminium-Mutter (1002) auf beiden Seiten (9.3). Montieren Sie das Kniestück (1402) am Ende des Regenablaufrohrs (1415) (9.6) und verbinden Sie dieses mit den Regenrinnenanschlussstücken (7370) oder (7371) (9.9). Die Fallrohrklammer (1403) um das Fallrohr spannen und mit (1409) verbinden (9.4). Schraube (1006) hineinstecken um das Regenablaufrohr zu fixieren (9.5).

Montieren Sie die Türschwelle (7359) in die Türöffnung. Verbinden Sie sie mit (7444/7446) indem Sie die Schrauben (7052) in den Schraubenkanal auf der Außenseite der Profile schieben und mit den Muttern (7053) befestigen. Abb. 9.7

An beiden Enden des Türführungsprofils (7359) Schrauben (7352) von oben einsetzen und mit Muttern (3002) von unten befestigen, um die Öffnung der Tür zu begrenzen. (9.7) (9.8).

Die Kunststoff-Türführung (2771) in das Türführungsprofil (7359) (9.9) (9.10a) einschieben und dann die Rollen unten auf die Türlaufschiene setzen (7351) (9.10b). Die Türfesthalter (7350) unter der Nase (7351) einhaken und die Türrollenschrauben (7360) festziehen (9.10b).

Die Kunststoffkappen (6070) auf alle sichtbaren Muttern (7053) im Haus drücken (9.11).

## ABSCHLUSSARBEITEN

Optional können Sie das Gewächshaus auch noch in den Ecken mit neutral vernetzendem

Silikon abdichten. Hierfür ist kein Silikon im Lieferumfang enthalten.

Den beiliegenden Warnaufkleber von innen aufkleben.

Bitte überprüfen Sie 2 Wochen nach dem Aufbau, ob alle Schrauben fest sitzen.

Ihr Händler hält ein reichhaltiges Sortiment an Gewächshaus-Zubehör für Sie bereit. Sprechen Sie ihn an.

## SICHERHEITSHINWEIS

Bei starkem Wind sollten alle Öffnungen und die Tür geschlossen sein. Dächer von Gewächshäusern sind rechtzeitig von Schnee zu räumen, so dass keine gefährliche Schneebelastung eintreten kann. Heizen Sie das Gewächshaus im Winter.

## ANMERKUNGEN

Zum vollen Schutz des Gewächshauses empfehlen wir, es mit in Ihre Hausversicherung einzuschließen. Beachten Sie eventuell vorhandene örtliche Bauvorschriften.

Den mitgelieferten Typaufkleber nach erfolgter Montage des Gewächshauses auf das Radgehäuse (7352) oder (7353) kleben. Die Typbezeichnung benötigen Sie zur Angabe bei der Bestellung evtl. benötigter Ersatzteile.

Bitte heben Sie die Montageanleitung auf!

Alle Maßangaben sind Annäherungswerte, Änderungen vorbehalten.

# Mesures préventives de sécurité

## 1. MERCI DE LIRE CES INSTRUCTIONS INTÉGRALEMENT AVANT DE COMMENCER LE MONTAGE !

- Toujours porter des lunettes et des gants de protection, des chaussures de sécurité et un casque lors de la manipulation du verre, des panneaux alvéolaires ou des éléments de la serre étant donné que les rebords coupants peuvent provoquer des blessures. Le verre brisé constitue un risque. Merci de l'éliminer avec la prudence qui s'impose.
- La serre que vous venez d'acquérir a été conçue pour la culture de plantes et doit être utilisée exclusivement dans cet objectif. Nous excluons toute responsabilité en cas d'autre utilisation.
- Deux personnes sont nécessaires pour réaliser le montage de cette serre.
- Lors de l'utilisation d'une échelle, la faire toujours sécuriser par une deuxième personne.
- Si vous deviez rencontrer des difficultés lors du montage de la structure ou de l'installation du vitrage, merci de contacter votre revendeur – **N'ayez pas recours à la force !**
- La serre doit être ancrée.

## Description du montage

### CHOIX DE L'EMPLACEMENT

Choisissez l'emplacement le plus ensoleillé mais aussi le mieux protégé du vent.

### IMPORTANT

Avant de commencer le montage de votre serre, vérifiez que vous disposez de toutes les pièces telles qu'elles sont indiquées dans la liste. Retirez les différents paquets de l'emballage pour mieux les identifier. Il est important de ne pas mélanger les paquets ouverts. Si, malgré nos contrôles attentifs, un élément devait manquer, merci de contacter votre revendeur.

**Attention** – Le côté résistant aux UV des panneaux alvéolaires est marqué par un film plastique ou un avis imprimé sur le rebord. **Ce côté doit être tourné vers l'extérieur !**

Pour bien colmater la serre correctement, il est recommandé d'utiliser une silicone réticulée neutre comme indiqué sur les illustrations (4b.7), (4b.8), (7a.6) et (7a.8). La silicone est jointe à la livraison.

### OUTILS NÉCESSAIRES

Tournevis (à fente et cruciforme PH2)

Marteau en caoutchouc

2 échelles (de 1,80 m)

Clé à disques de 10 mm

Clé mixte

Couteaux

Mètre pliant

Niveau à bulle

Perceuse-visseuse sans fil avec moment de force réglable.

### MAINTENANCE

La serre doit être nettoyée de temps en temps à fond avec un produit nettoyant doux au pH neutre. Les vitres peuvent être nettoyées avec un produit doux qui n'attaque ni les pièces en

plastique ni le cadre en aluminium ni les pinces à ressort des vitres. Nettoyez régulièrement le rail de la porte.

### 0. FONDATIONS

**Important !** Les fondations doivent être parfaitement perpendiculaires et planes. Pour cela, vous avez besoin d'un niveau à bulle et d'une équerre.

**Attention** : si l'écart entre les deux angles opposés est identique alors les fondations sont perpendiculaires.

Pour le montage de cette serre, nous recommandons des fondations solides en béton, en briques ou en maçonnerie. Si vous n'avez aucune expérience dans la construction de telles fondations, engagez plutôt une entreprise spécialisée dans ce genre de travaux. Le matériel et les outils nécessaires à l'installation des fondations ne sont pas compris dans la livraison.

Si vous respectez les recommandations de préparation des fondations, vous pourrez monter la porte, si vous le souhaitez, non seulement sur la partie avant mais aussi sur n'importe quelle autre paroi. La base des fondations doit alors être de 210 mm de large. Respecter les longueurs C ou D comme référence sur ce côté.

Les fondations doivent être à l'abri du gel.

**Tous les schémas représentent la vue de l'intérieur de la construction exception faite des illustrations imprimées dans un double encadré qui décrivent elles la vue de l'extérieur.**

### 1. PAROI ARRIÈRE

**Attention** : quand la porte doit être installée sur ce côté de la construction, retirer un profilé intermédiaire (7311) ①.

Enfoncez le joint (7396) dans le profilé de sol (7304 / 7306) et découpez-le à la longueur

(1.1) (1.2).

Placez toutes les pièces sur le sol, insérez les vis (7052) dans les canaux des vis et vissez-les légèrement. Veillez à ce que les équerres de gouttière (7314 / 7316) soient enfoncées dans les coins des piliers d'angle (7310) (1.3) (1.4) et à ce que les profilés d'angle (7310) et intermédiaires (7311) soient placés exactement sur le rebord de montage de l'équerre de gouttière (1.9) (1.12).

Monter les profilés diagonaux (7312) sur les deux côtés (1.3) (1.4) (1.10) (1.11). Les fixer au profilé de sol en serrant les vis (7050) légèrement. Retirer les (7050) pendant le vitrage (étape 7b).

### 2. EXTRÉMITÉ GAUCHE DU PIGNON

**Attention** : quand la porte doit être installée sur ce côté de la construction, retirer le profilé intermédiaire (7311) ①.

Enfoncer le joint (7396) dans le profilé de sol (7304) et le couper à la bonne longueur (2.1) (2.2).

Placer toutes les pièces sur le sol et vissez-les légèrement en insérant les vis (7052) dans les canaux de vis. Fixer le profilé de gouttière (7319) sur le logement du profilé d'angle (7437) (2.3) (2.4) et monter ensuite le profilé d'angle (7437) sur le profilé du sol (7304) (2.5) (2.6). Monter les profilés intermédiaires (7311) (2.7) (2.8) bord à bord sur le profilé du sol (7304) et le profilé de gouttière (7319) (2.9).

Fixer le profilé diagonal (7312) (2.5) (2.9) (2.10). Le monter sur le seuil en le serrant légèrement avec les vis (7050). Retirer les vis (7050) pendant le vitrage (étape 7b).

### 3. EXTRÉMITÉ DROITE DU PIGNON

**Attention** : quand la porte doit être installée sur ce côté de la construction, retirer le profilé intermédiaire (7311) ①.

Monter tous les éléments comme indiqué à

l'étape 2.

#### 4a. ASSEMBLAGE DES ÉLÉMENTS

Enfoncez le joint (7396) dans le profilé de sol (7304 / 7306) et découpez-le dans le sens de la longueur (4a.1) (4a.2).

Pour pouvoir raccorder les parois entre elles, merci de desserrer les vis (7399) et les écrous (7053) du profilé du sol (7304) comme indiqué sur l'ill. (4a.3). Sur les profilés d'angle plus bas, insérez les têtes de vis dans le canal de vis du profilé (7310) (4a.4).

Montez les diagonales (7312) sur les deux côtés comme indiqué sur l'ill. (4a.5). Ne serrez les vis (7050) que légèrement sur le sol étant donné que vous devrez les retirer à nouveau lors du vitrage à l'étape 7.

Utilisez les vis (7399) et les écrous (7053) pour raccorder les profilés (7319) avec les profilés d'angle (7310) et assurez-vous qu'ils poussent contre le profilé du toit (4a.6) (4a.7).

Montez les vis (7399) et (7053) en les serrant légèrement dans les profilés de sol (7304/7306) comme indiqué sur l'ill. (4a.3). Insérez les vis (7053) dans les canaux des vis des profilés (7437/7438), comme indiqué sur l'ill. (4a.4).

Merci de fixer à présent les profilés frontaux (7444/7446) dans les logements des profilés d'angle (7337/7438) et d'utiliser pour cela les vis (7399) et les écrous (7053).

Merci de fixer le profilé de pignon (7434/7436) sur les profilés d'angle (7437/7438). Voir ill. (4a.10) (4a.11).

Fixez les profilés de diagonal sur la partie avant (7312). Ne serrez pas les vis (7050) à fond sur le profilé du sol étant donné que vous devrez les desserrer à nouveau lors de l'opération de vitrage (7B).

Alignez à présent le cadre sur les fondations préparées.

Vérifiez que la construction est bien perpendiculaire et percez des trous de 6 de Ø à travers les trous prépercés sur (7304) et (7306). Insérez les chevilles (7421) et fixez le cadre sur les fondations en vissant légèrement. Pour cela, utilisez les vis (7411) comme indiqué sur l'ill. (4a.12).

#### 4b. TOIT

Fixez à présent les profilés (7439) entre les profilés de pignon (7434/7436) et les profilés horizontaux (7444/7446) comme indiqué sur l'ill. (4b.2).

Fixez à présent les profilés (7439) entre les profilés de pignon (7434/7436) et les profilés horizontaux (7444/7446) comme indiqué sur l'ill. (4b.2).

Fixez à présent les profilés d'angle du toit (7432/7433) sur les profilés de pignon (7434/7436) et sur les profilés d'angle (7437/7438), utilisez ici les tôles d'angle (7348) ill. (4b.6)

Vissez à présent les profilés latéraux (7346/7347) entre les profilés centraux (7319/7320) et les profilés d'angle du toit (7432/7433). Montez ici aussi les tôles d'angles (7348) comme indiqué sur l'ill. (4b.5).

Insérez à présent les vis (7052) dans les canaux des vis du profilé intermédiaire (7426). Sur la gouttière et plus bas sur l'équerre de gouttière (7314/7316), utilisez les rondelles (7053) et les écrous (7053) ill. (4b.7) (4b.8). Assurez-vous que (7426) est correctement en place sur l'angle de l'équerre de gouttière et exactement sur le petit trou situé sur le côté extérieur de la gouttière (7426) (4b.9).

Insérez (7052) dans le canal de vis (7426) sur le pignon et raccordez-le. (7434/7436) (4b.10).

Contrôlez sur le cadre que tout est à angle droit et si c'est le cas, serrez toutes les vis (7411/7412).

**IMPORTANT : attention de ne pas fausser les vis en les serrant trop !**

Montez maintenant les équerres d'angle (7331) entre chacun des profilés centraux latéraux (7311) et le profilé intermédiaire du toit (7426). Pour cela, utilisez les vis à tête de marteau (7399) comme indiqué sur l'ill. (4b.11/4b.12)

#### 5a. FENÊTRE LATÉRALE

Visser le profilé de fenêtre inférieur (7451) avec les profilés latéraux (7453) et (7454) (5a.2) (5a.3). Insérer la vitre D dans les guidages correspondants (5a.5) des profilés montés (5a.4) (5a.5). Enfoncez (7052) et (7053) dans le profilé de fenêtre supérieur (7450) en les serrant légèrement et les insérer sur (7453) et (7454), les têtes de vis de (7052) doivent alors être introduits dans les canaux de vis et le vitrage dans les canaux de vitrage (5a.6) (5a.7).

**Attention :** si vous avez choisi un vitrage de 4 mm, découpez le joint (7420) aux dimensions correspondantes et enfoncez-le dans les canaux de vitrage sur le côté intérieur de la fenêtre pour fixer la vitre (5a.8) (5a.9) Vérifiez que la fenêtre est bien perpendiculaire avant de serrer toutes les vis à fond.

**Les vis doivent être serrées mais pas trop.**

Enfoncez les brosses de colmatage (7457) en une pièce dans les guidages de la porte et les profilés latéraux (7454) (7450) (7453) (5a.10) par le haut et les découper à la longueur désirée. **Attention :** si la brosse de colmatage (7457) se décale visiblement quand on ferme la fenêtre (voir étape 8a), elle peut alors être raccourcie (5a.10).

Monter le mécanisme d'ouverture et de fermeture de custode (7090) au moyen de la plaque de calage (7413) et de deux vis (7349) (7349) (5a.11) (5a.12).

Enfoncez les bouchons en plastique (6070) sur toutes les vis (7053) (5a.13).

#### 5b. FENÊTRE SUPÉRIEURE

Monter tous les éléments comme indiqué à l'étape 5a.

#### 6a. PORTES COULISSANTES

Enfoncez les brosses de colmatage (7332) dans les guidages de la porte (7352) (7353) (7355) (7356) (7357) (6a.2) et les découper à la longueur désirée.

Fixer les roulettes de coulissage de la porte (7364) sur les profilés de porte inférieurs (7355) en les vissant légèrement avec des entretoises (7392) sur chaque côté des roulettes, des vis (7393), le serre-flanc (7350) et des écrous autotaraudeurs (7360) (6a.3) Visser les profilés de porte inférieurs (7355) avec les profilés latéraux (7357) ou (7358). (6a.3) (6a.7a).

Raccorder les profilés centraux de la porte (7354) et (7384) avec la serrure à pêne dormant à boîtier (7400) (7401) et (7402) au moyen des vis (7404). Fixer les étais latéraux (7357) ou (7358) avec les vis (7052), les écrous (7053) et les vis (7405) (6a.4) (6a.5) (6a.8). **Les vis (7404) et (7405) doivent être serrées mais pas trop.**

Visser le profilé de porte supérieur (7352) ou (7353) avec les profilés de porte latéraux (7357) ou (7358) (6a.6) (6a.7b).

Insérer les vitres G dans les rails de vitrage des éléments montés (6a.9).

Enfoncez (7052) et (7053) dans le profilé latéral de la porte (7356) en les serrant légèrement, les insérer sur (7355), (7354) ou sur (7384) et (7352) ou (7353) et ajuster les têtes de vis (7052) aux canaux de vis et le vitrage aux canaux de vitrage (6a.9) (6a.10). Insérer les guidages de la porte (2271) dans les deux portes par le haut (6a.6).

**Attention :** si vous avez choisi un vitrage de 4 mm, découpez le joint de glace (7420) aux dimensions correspondantes et enfoncez-le dans les canaux de vitrage sur le côté intérieur de la porte pour fixer la vitre. (6a.11).

#### 6b. CADRE ET SEUIL DE LA PORTE

Fixer le raidissement de la porte (7362) au moyen des vis (7390) sur le profilé de sol dans l'ouverture de la porte (6b.1) (6b.2).

Incliner le rail de la porte (7351) pour l'insérer dans le profilé de seuil et le mettre en position (6b.3). Le placer au centre de l'ouverture de la porte et le visser aux fondations au moyen des chevilles murales (2003) et des vis (2002) (6b.4).

Visser les cadres latéraux de la porte (7361) aux profilés intermédiaires (7311). Une fois qu'ils sont en position, les visser en haut avec les vis (7052) et les écrous (7053) (6b.5) à (6b.8).

Insérer les vis (7052) en bas dans les canaux sur les deux côtés du seuil de la porte (7363) (6b.9) et pousser le seuil sur sa bonne position (6b.10) (6b.11).

## 7. APERÇU DES VITRES

Merci de trier le vitrage à l'aide de la taille du modèle et du type de vitrage avant de commencer. Si vous avez choisi le verre, les vitres E et F sont alors identiques des deux côtés.

**Attention** – Le côté résistant aux UV des panneaux alvéolaires est marqué par un film plastique ou un avis imprimé sur le rebord. **Ce côté doit être tourné vers l'extérieur.** Retirez le film sur 2 cm environ sur chaque rebord. Quand toutes les vitres sont installées, retirez le film entièrement de toutes les vitres.

### 7a. VITRAGE DU TOIT / DE LA GOUTIÈRE

Insérez le vitrage du toit dans les rails de guidage des profilés du toit (7a.2) (7a.3).

Quand deux vitres sont placées l'une à côté de l'autre, poser les arrêts des vitrages 7240, 7342 ou 7343 dans les profilés du toit à travers les trous prépercés avec des vis autotaraudeuses 7349 sur le profilé de toit situé entre les deux (7a.4) (7a.5). Les vitres doivent alors glisser vers le bas jusqu'à ces arrêts et y rester.

Placer le profilé de gouttière (7324 / 7326) sur la rainure de l'équerre de gouttière (7a.6) et le tirer vers le bas pour le presser contre l'équerre de gouttière. Il est également possible d'insérer le profilé de gouttière latéralement. Le visser à l'équerre de gouttière avec les vis (7052) insérées à l'extérieur et les écrous (7053) insérés de l'intérieur de la construction (7a.7).

Insérez l'entretoise de glace (7424) comme indiqué sur l'ill. (7a.9) et l'équerre de gouttière et l'entretoise de glace (7425) sur l'angle extérieur du pignon (7a.10). Pour fixer le pignon (7425), utiliser les vis (7349) (7a.10).

Pour fixer les profilés d'extrémité du vitrage (7447/7449) sur le pignon, utilisez les vis (7052) que vous insérez alors dans le canal de vis du profilé intermédiaire du toit et que vous visser avec les écrous (7053). III. (7a.10). Fixez en même temps les bouchons en plastique (7468 et 7469) de manière à

ce qu'ils couvrent les extrémités ouvertes des profilés d'angle du toit (7432/7433) et tiennent derrière les bouchons des extrémités (7447/7449). III. (7a.10) (7a.11)

### 7b. VITRAGE LATÉRAL

Merci de choisir ici les champs dans lesquels vous souhaitez monter les fenêtres latérales.

**Attention** : les fenêtres ne peuvent pas être montées dans un champ d'angle ni directement à côté de la porte d'entrée. Elles doivent être séparées par une section entière. Les vitres H sont alors utilisées à la place des vitres A dans ces champs.

Enfoncer le joint de glace (7382) dans chacune des rainures supérieures dans (7381) et le couper à la bonne longueur.

Dans le cas des vitrages avec verre, enfoncer le joint de glace (6090), sur les profilés en aluminium (7b.2) et les couper à la bonne longueur.

**Attention** : il est recommandé de raccourcir légèrement les joints de glaces (6090) sur tous les guidages de verre horizontaux et de les centrer. Ainsi, l'eau de condensation qui s'accumule à l'intérieur peut être évacuée.

**Attention** : les vitrages en polycarbonate ne nécessitent pas de joint en caoutchouc.

En insérant les têtes de vis (7050) dans les différents guidages des caches, il est possible d'équiper la serre de vitres de  $\leq 4$  mm, 10 mm ou 16 mm d'épaisseur. (7b.2). Insérez les vis (7050) dans chaque cache comme indiqué sur l'illustration (7b.3).

Pour les vitrages de 10 mm, insérer 1 entretoise (7407) au centre/ au-dessus de chaque vitre A (7b.4). Insérer chaque vitre A dans le cadre et visser les caches verticaux (7372), ou (7373) légèrement avec les écrous (7053).

Soulever la vitre A sur 15 mm et la raccorder avec les caches (7381) en les vissant légèrement sous la vitre.

**Attention** : les vis (7050) qui ont été utilisées pour maintenir les profilés diagonaux aux étapes 1, 2, 3 et 4a doivent à présent être retirées et montées à nouveau (7b.8).

Pour les vitrages de 10 mm, insérer 4 entretoises (7409) sur (7319), (7320) et (7444 / 7446) (2 entretoises pour chaque vitre E, F et J) (7b.5) (7b.6). Ajuster les vitres E, F et J. Monter les caches (7442) ou (7443) et installer ensuite (7379) / (7470) ou (7380) / (7471) en les vissant légèrement.

**Important** : dans le cas des caches en polycarbonate, utilisez des entretoises (7467) en-dessous des bouchons situés sur les extrémités (7468) ou (7469) selon l'épaisseur du vitrage. Si elle est mesurée 10 mm, utiliser une (7467), si elle est de 16 mm deux (7467).

Les bouchons (7442) et (7443) pressent alors sur les bouchons des extrémités (7468) et (7469) et les fixent.

**Les vis doivent être bien serrées mais pas trop.**

**Attention** : le moyen le plus facile de monter les caches verticaux est d'insérer tout d'abord la vis supérieure, puis celle du milieu et enfin celle inférieure dans le trou. Assurez-vous que les caches restent en contact avec le profilé de sol.

### 8a. MONTAGE DES FENÊTRES LATÉRALES

Retirez les écrous (7053) des caches verticaux (7372) sur les profilés centraux (7311) à côté de l'ouverture de la fenêtre. Insérez (7053) et (7399) dans les perçages inférieurs des cadres des fenêtres latérales (7311) au-dessus de la vitre H (8a.2) en les vissant légèrement et remontez les bouchons en plastique (7053) (8a.3) (8a.4).

Insérez (7053) et (7399) dans le trou inférieur du profilé du rebord de la fenêtre (7452). Faites tourner le profilé jusqu'à ce qu'il couvre la vitre H et l'écrou central visible des deux côtés (7452) (8a.5). Fixez à nouveau les écrous centraux visibles (7053) (8a.6).

Fixez les charnières de la fenêtre (7419) aux cadres (7455) et (7456) avec les vis (7088) (8a.7).

**Attention** : utilisez ici exclusivement les trous dans les charnières prévus à cet effet.

Fixez la fenêtre prémontée (voir étape 5a) avec les vis (7088) aux profilés latéraux avec les charnières de la fenêtre (7419).

**Attention** : utilisez ici exclusivement les trous dans les charnières prévus à cet effet.

Fermez la fenêtre et assurez-vous qu'elle se ferme bien sans entrer en contact avec le profilé du rebord de la fenêtre (7452). La hauteur de la fenêtre peut être ajustée au moyen des trous des charnières (7419). Quand la fenêtre est ajustée correctement, fixez-la en vissant des vis supplémentaires dans les trous restants.

Montez les pignons enfichables (6056) sur le profilé du rebord de la fenêtre (7452) au moyen des vis (7403) (8a.9). Placez-les en orientant les trous oblongs dans le mécanisme d'ouverture et de fermeture de custode (7090) quand la fenêtre est fermée (8a.10). Quand la fenêtre est fermée, le mécanisme d'ouverture et de fermeture de custode (7090) peut être enclenché dans les deux pignons enfichables (6056) pour fermer la fenêtre. (8a.10).

**Attention** : si la brosse de colmatage (7457) se décale quand on ferme la fenêtre, elle peut alors être raccourcie, voir détails (5a.10).



Procédez de la même manière pour le montage de l'autre fenêtre.

## 8b. MONTAGE DE LA FENÊTRE SUPÉRIEURE

Retirez les écrous (7053) des vis des barres de vitrage (7440) et (7441) des profilés d'angle (7437/7438) et des profilés intermédiaires (7439) à droite et à gauche de l'ouverture de la fenêtre. Ill. (8b.1).

Insérez à présent les profilés latéraux des fenêtres (7465) et (7466) sur les vis préparées (8b.1) (8b.2) et fixez ensuite à nouveau les barres de vitrage avec les écrous (7053) (8b.3) et (8b.4).

Vissez le (7053) et le (7399) dans les perçages du profilé de fenêtre inférieur (7462) en les vissant légèrement. Bougez-les de manière à ce que la tête de (7399) rentre dans le canal de vis du profilé vertical (7444/7446). Comme indiqué sur les illustrations (8b.5 et 8b.6).

Utilisez la vis (7088) pour fixer la charnière de la fenêtre (7419). Vissez-la aux cadres latéraux (7465) et (7466) comme indiqué sur l'ill. (8b.7).

**Important :** n'utilisez que les perçages horizontaux préparés dans la charnière.

Fixez à présent la fenêtre préparée (section 5B) entre les deux charnières de fenêtre (7419) avec les vis (7088)

**Important :** n'utilisez que les perçages horizontaux préparés dans la charnière.

Fermez à présent la fenêtre et assurez-vous qu'elle se ferme bien au-dessus du rebord de la fenêtre (7462) sans entrer en contact avec celui-ci. La hauteur de la fenêtre peut être adaptée au moyen des trous oblongs des charnières (7419). Si elle se ferme correctement, serrez les autres vis restantes à fond.

Vissez à présent les dents de fenêtre (6056) avec les vis (7403) au rebord de fenêtre (7462) ill. (8b.9). Ajustez à présent la position du levier de la fenêtre (7090) au moyen du canal de vis quand la fenêtre est fermée. (8b.10). Quand la fenêtre est fermée, le levier (7090) doit être placé sur les deux dents de fenêtre (6056) pour que la fenêtre puisse se fermer. (8b.10)

**Important :** si la brosse de colmatage (7457) dépasse de l'angle de (7460) quand la fenêtre est fermée, elle peut alors être raccourcie à la bonne longueur. Ill. (5b.10)

Réitérer (11500) pour l'autre fenêtre.

## 9. LES DERNIERS GESTES

Insérez les pièces de raccord des gouttières (7370) et (7371) dans les deux extrémités du profilé de gouttière (7324/7326) (9.1) (9.2).

**Attention :** pour vous aider, vous pouvez tirer prudemment le profilé de gouttière sur le rebord supérieur pour l'éloigner de la construction de manière à agrandir l'ouverture pour le plastique.

Insérez les vis à tête de marteau (1412) dans le canal de vis sur l'extrémité inférieure du profilé d'angle (7310) et vissez (1405) et (1409) avec l'écrou en aluminium (1002) sur les deux côtés (9.3). Montez le coude (1402) sur l'extrémité du tuyau d'évacuation des pluies (1415) (9.6) et raccordez-le avec les raccords des gouttières (7370) ou (7371) (9.9). Serrer les pinces de tuyau de descente (1403) autour du tuyau de descente et les raccorder avec (1409) (9.4). Insérer la vis (1006) pour fixer le tuyau d'écoulement des pluies (9.5).

Montez le seuil de la porte (7359) dans l'ouverture de la porte. Raccordez-le avec (7444/7446) en insérant les vis (7052) dans le canal de vis sur le côté extérieur du profilé et en les fixant avec les écrous (7053). Ill. 9.7

Insérer des vis (7352) par le haut dans les deux extrémités du profilé de guidage de la porte (7359) et les fixer par le bas avec les écrous (3002) pour limiter l'ouverture de la porte. (9.7) (9.8).

Mette le guidage en plastique de la porte (2771) en place dans le profilé de guidage de la porte (7359) (9.9) (9.10a) puis insérer les roulettes dans le rail de la porte par le bas (7351). Accrocher le serre-flanc de la porte (7350) sous le nez (7351) et serrer à fond les vis des roulettes des portes (7360) (9.10b).

Enfoncer les bouchons en plastique (6070) sur tous les écrous visibles (7053) de la construction (9.11).

## FINITION DES TRAVAUX

En option, vous pouvez également colmater les coins avec de la silicone réticulée neutre. La silicone nécessaire ici n'est pas contenue dans la livraison.

Coller l'autocollant d'avertissement ci-joint à l'intérieur.

Merci de contrôler que toutes les vis sont encore bien en place 2 semaines après la construction.

Votre revendeur tient une vaste gamme d'accessoires pour serres à votre disposition. Contactez-le.

## CONSIGNES DE SECURITÉ

En cas de vent fort, toutes les ouvertures et toutes les portes doivent être fermées. La neige présente sur les toits des serres doit être déblayée à temps de manière à éviter

toute charge dangereuse due à la neige. Chauffez la serre pendant l'hiver.

## REMARQUES

Pour protéger votre serre au maximum, nous recommandons de l'inclure à votre couverture d'assurance ménagère. Prenez en compte les éventuelles réglementations locales en vigueur.

Coller l'autocollant signalétique fourni sur le boîtier des roulettes (7352) ou (7353) une fois le montage terminé. Vous aurez besoin de cette désignation pour commander d'éventuelles pièces de rechange.

Merci de conserver les instructions de montage !

Toutes les dimensions indiquées sont des valeurs approximatives, sous réserve de modifications.

# Veiligheidsvoorschriften

1. LEEST U EERST DE GEHELE INSTRUCTIES DOOR ALVORENS TE BEGINNEN MET DE OPBOUW VAN DE KAS.
2. Scherpe hoekjes en randen kunnen tot verwondingen leiden. Draag altijd een veiligheidsbril, beschermende handschoenen, schoenen en hoofdbedekking als u werkt met de aluminium profielen, glas- en polycarbonaat platen. Gebroken glas is een veiligheidsrisico - u dient het veilig en meteen op te ruimen.
3. Het product dat u hebt gekocht is alleen bestemd voor het kweken van planten en dient uitsluitend voor dit doel te worden gebruikt. Wanneer het voor andere doeleinden zal worden gebruikt, dragen wij hier geen verantwoordelijkheid voor.
4. Wij raden u aan de kas met twee personen in elkaar te zetten.
5. Wanneer een trapladder wordt gebruikt, dient één persoon deze altijd te stabiliseren terwijl de andere werkt.
6. Mocht u problemen hebben met het bouwen van deze kas of het inpassen van de glas- of polycarbonaat platen, neem dan contact op met uw leverancier. – **Gebruik geen geweld!**
7. De kas moet altijd worden verankerd.

## Montage Instructies

### KIEZEN PLAATS

Probeer altijd een zonnige plaats te kiezen die zoveel mogelijk tegen wind beschermt is.

### BELANGRIJK

Controleer a.u.b. of u alle onderdelen op de meegeleverde lijst hebt voordat u begint aan het in elkaar zetten van uw nieuwe kas. Haal a.u.b. elk pakket uit de doos om de onderdelen beter te identificeren.

Het is belangrijk dat de open pakketten niet door elkaar gehaald worden.

Als er onderdelen ontbreken, neem dan a.u.b. contact op met uw leverancier.

**N.B.** - De UV-bestendige kant van de polycarbonaat ruiten wordt aangegeven door de kunststoffolie en de bedrukking op de rand. **Deze kant moet naar buiten zitten.**

Om de kas effectief af te dichten wordt geadviseerd dat u neutrale silicone toepast zoals op tekening (4b.7), (4b.8), (7a.6) en (7a.8). Er wordt voor dit doel silicone meegeleverd.

### VEREISTE GEREEDSCHAPPEN

Schroevendraaiers (normaal en kruiskop PH2)  
 Rubberen hamer  
 2 x 1,8 m ladder  
 10 mm moer- of steeksleutel  
 10 mm combinatiesleutel  
 Stanley mes  
 Maatstok  
 Waterpas  
 Accuboormachine met instelbaar moment

### ONDERHOUD

Om uw kas schoon te houden dient deze af toe grondig gereinigd te worden met een zacht reinigingsmiddel. Zorg er a.u.b. voor dat het reinigingsmiddel niet agressief reageert met

aluminium of kunststof.

Om te voorkomen dat zich vuil ophoopt in de deurrails, zal men deze regelmatig moeten schoonmaken.

### 0. FUNDERING

**Belangrijk!** Let op dat de fundering haaks en waterpas staat. Om dit te bereiken zult u een waterpas en een rechte hoek nodig hebben.

**N.B.** - Als de afstand tussen de twee tegenover elkaar liggende hoeken gelijk is, dan is de fundering haaks.

Voor het opbouwen van de kas adviseren wij een stabiele, van beton, metsel- of steenwerk gemaakte fundering.

Als u geen ervaring hebt met het maken van een dergelijke fundering, moet u een bedrijf raadplegen dat zich in dit werk specialiseert.

Er worden geen materialen en gereedschappen meegeleverd om de geadviseerde fundering voor te bereiden.

De geadviseerde fundering maakt het mogelijk dat de deur in de voorkant van de kas kan worden geplaatst. De deur kan, indien gewenst, ook aan elke andere kant worden geplaatst. In dat geval dient u de 210 mm fundering aan die kant voor te bereiden met behulp van de lengte C of D als referentie.

De fundering moet tot beneden de vorstgrens zitten.

**Op de tekeningen met het enkelvoudige frame wordt de binnenkant van de kas getoond. Op de tekeningen met het dubbele frame wordt de kas van de buitenkant bekeken.**

### 1. ACHTERELEMENT

**N.B.** - Als de deur aan deze kant van de kas wordt gemonteerd, verwijder dan één van de middenprofielen (7311)Ⓞ.

Duw de afdichting (7396) in het kalfje (7304 / 7306) en snij deze voor beide einden passend af (1.1) (1.2).

Leg al deze onderdelen, volgens het model, op de grond en verbind deze losjes door boutjes (7052) in de boutkanalen te steken. Zorg ervoor dat de hoeken van de zijkant (7314 / 7316) in de hoek van beide hoekbalken (7310) (1.3) (1.4) worden gedrukt en dat de hoekbalken (7310) en middenbalken (7311) op de juiste wijze op de montagerand op de hoek van de zijkant (1.9) (1.12) liggen.

Monteer de diagonale balken (7312) aan beide kanten (1.3) (1.4) (1.10) (1.11). Maak deze bij het kalfje losjes vast m.b.v. een boutje (7050). (7050) zal tijdens de beglazing worden verwijderd (paragraaf 7b).

### 2. PLATTE TOPGEVEL L

**N.B.** - Als de deur aan deze kant van de kas wordt gemonteerd, verwijder dan het middenprofiel (7311)Ⓞ.

Duw de afdichting (7396) in het kalfje (7304) en snij deze voor beide einden passend af (2.1) (2.2).

Leg al deze onderdelen op de grond en verbind deze losjes door boutjes (7052) in de boutkanalen te steken. Monteer het eindprofiel (7319) in de uitsparing in het muurprofiel (7437) (2.3) (2.4) en dan (7437) op het kalfje (7304) (2.5) (2.6). Monteer de middenprofielen (7311) (2.7) (2.8).

Monteer het diagonale profiel (7312) (2.5) (2.9) (2.10). Maak deze bij het kalfje losjes vast m.b.v. een boutje (7050). (7050) zal tijdens de beglazing worden verwijderd (paragraaf 7b).

### 3. PLATTE TOPGEVEL R

**N.B.** - Als de deur aan deze kant van de kas wordt gemonteerd, verwijder dan het middenprofiel (7311)Ⓞ.

Monteer alle onderdelen zoals in paragraaf 2.

#### 4a. DE ELEMENTEN VERBINDEN

Druk zegel (7396) in de dorpelbalk (7304/7306) en snij af om de uiteinden te monteren (4a.1) (4a.2).

Om de vooraf voorbereide wanden te verbinden, plaatst u de bouten (7399) en moeren (7053) losjes in de dorpelbalken (7304) zoals afgebeeld op (4a.3) In de onderste hoekbalken (7310) de boutkoppen van (7052) in de boutkanalen van (7310) aanbrengen. (4a.4).

Monteer diagonale balken (7312) aan beide kanten (4a.5). Losjes op de dorpel bevestigen met behulp van bout (7050). (7050) zal tijdens de beglazing worden verwijderd (paragraaf 7b).

Bevestig met behulp van bouten (7399) en moeren (7053) de eindbalken (7319) en (7320) aan de hoekbalken (7310) waarbij u ervoor dient te zorgen dat ze tegen de hoekbalk van de dakrand worden gedrukt (4a.6) (4a.7).

Plaats de bouten (7399) en moeren (7053) losjes in de dorpelbalken (7304/7306) zoals afgebeeld op (4a.3). In de onderste hoekbalken (7437/7438), de boutkoppen van (7052) in de boutkanalen van (7437/7438) aanbrengen. (4a.4).

Monteer de voorste balk (7444/7446) in de uitsparing in de hoekbalken (7337/7438) met behulp van bouten (7399) en moeren (7053) (4a.8) (4a.9).

Monteer de nokbalk (7434/7436) aan de uiteinden van de hoekbalken (7437/7438) (4a.10) (4a.11).

Monteer de diagonale balken (7312) in de voorkant. Losjes op de dorpel bevestigen met behulp van bout (7050). (7050) zal tijdens de beglazing worden verwijderd (paragraaf 7b).

Plaats het gemonteerde frame op de voorbereide fundering. Controleer of de kas waterpas staat en boor Ø6 gaten door de voorbereide gaten in (7304) en (7306).

Plaats muurpluggen (7421) in de gaten en verbindt die losjes met de fundering met behulp van schroeven (7411) (4a.12).

#### 4b. DAK

Monteer de middelste balken (7311) losjes tussen dorpel (7304/7306) en horizontale balk (7444/7446) (4b.1) (4b.2).

Monteer de middelste balken (7439) losjes tussen nok (7434/7436) en horizontale balk (7444/7446) (4b.2).

Monteer de dakhoekbalken (7432) (7433)

op de hoek van de dakrand (4b.3) (4b.4). Zorg ervoor dat de dakhoekbalken correct zitten op de montagerand op de hoek van de dakrand (4b.9) en dat de kleine gaten aan de buitenkant van (7432/7433) zich bij het uiteinde van de dakrand bevinden (4b.3).

Verbind de dakhoekbalken (7432) (7433) met de nok (7434/7436) en met de voorste hoekbalken (7437/7438) met behulp van plaat (7348) (4b.6).

Monteer de middelste balken van de zijkant (7346) en (7347) tussen de horizontale balken (7319/7320) en de dakhoekbalken (7432/7433) met behulp van plaat (7348) (4b.5).

Voer de bouten (7052) in de boutkanalen in de middelste balken van het dak (7426) op de dakrand en zak af naar de hoek van de dakrand (7314/7316) met behulp van afdichtring (7395) en moer (7053) (4b.7) (4b.8). Zorg ervoor dat (7426) correct op de montagehoek van de hoek van de dakrand zit (4b.9) en dat het kleine gat aan de buitenkant van (7426) zich aan het uiteinde van de dakrand bevindt.

Voer (7052) in het boutkanaal (7426) in aan de nok en verbind deze met de nok (7434/7436) (4b.10).

Stel het frame af totdat dit volledig rechthoekig en draai alle schroeven (7411) en (7412) en moeren (7053) aan. **Niet te vast aandraaien.**

Monteer de hoekbeugels (7331) tussen elke middelste balk van de zijkant (7311) en middelste balk van het dak (7426) door de afgekante boutkoppen (7399) in de boutkanalen te voeren (4b.11) (4b.12).

#### 5a. ZIJRAAM

Verbind de onderste balk van het raam (7451) met de zijbalken (7453) en (7454) (5a.2) (5a.3).

Schuif paneel D in de glassleuven (5a.5) in de gemonteerde delen (5a.4) (5a.5).

Bereid (7052) en (7053) losjes voor in de bovenste balk van het raam (7450) en schuif ze zover totdat (7453) en (7454) bij de schroefkoppen van (7052) passen en het glas in de glassleuven (5a.6) (5a.7).

Opmerking - Als u voor glas van 4 mm gekozen hebt, snij dan de afdichting van het glas (7420) op maat zodat deze in de glassleuven aan de binnenkant van het raam past om het glas op zijn plek te krijgen (5a.8) (5a.9).

Controleer of het zijraam haaks zit voordat u de bouten vastdraait. Niet te vast aandraaien.

Plaats de borstelafdichting (7457) in de geleiders van de boven- en zijbalken (7454) (7450) (7453) (5a.10), gebruik daarvoor 1

doorlopende lengte snij deze op maat. Opmerking - Als de borstelafdichting (7457) visueel stoort als het raam gesloten is (zie paragraaf 8a) kan deze korter worden geknipt (5a.10).

Verbind de raamopener (7090) met (7451) met behulp van sluitring (7413) en twee schroeven (7349) (5a.11) (5a.12).

Plaats de plastic moerdopjes (6070) door ze op alle moeren (7053) (5a.13) te drukken.

#### 5b. BOVENSTE RAAM

Monteer alle onderdelen zoals in paragraaf 5a.

#### 6a. SCHUIFDEUREN

Installeer borstelrubber (7332) in de geleiders in de deurprofielen (7352) (7353) (7355) (7356) (7357) (6a.2) en snij het op lengte.

Monteer de wielen (7364), door middel van afstandsbusen (7392) aan weerszijde van het wiel, boutje (7393), clip (7350) en borgmoer (7360), losjes op de onderprofielen van de deur (7355) (6a.3).

Verbind (7355) met de zijprofielen van de deur (7357) of (7358) (6a.3) (6a.7a).

Monteer de middenprofielen van de deur (7354) of (7384) met borgonderdelen (7400), (7401) en (7402) door middel van boutjes (7404). Verbind met zijprofielen van de deur (7357) of (7358) d.m.v. boutjes (7052), moertjes (7053) en boutjes (7405) (6a.4) (6a.5) (6a.8). **Belast de boutjes (7404) en (7405) niet met teveel kracht.**

Verbind de bovenprofielen van de deur (7352) of (7353) met de zijprofielen van de deur (7357) of (7358) (6a.6) (6a.7b).

Schuif ruit G in de beglazingskanalen in de gemonteerde onderdelen (6a.9).

Prepareer (7052) en (7053) losjes in de zijprofielen van de deur (7356) en schuif ze op (7355), (7354) of (7384) en (7352) of (7353), terwijl de boutkoppen van (7052) in de boutkanalen en de beglazing in de beglazingskanalen (6a.9) (6a.10) worden gemonteerd. Installeer de deurgeleiders (2271) in de bovenkant van beide deuren (6a.6).

**N.B.** - Als u glasbeglazing van 4 mm hebt gekozen, snij dan het beglazingsprofiel (7420) op lengte en duw het in de ruimte in de beglazingskanalen aan de binnenkant van de deur om het glas op zijn plaats vast te zetten (6a.11).

#### 6b. DEURFRAME EN ONDERDORPEL

Monteer de deursteun (7362) op het kalfje in

de deuropening d.m.v. boutjes (7390) (6b.1) (6b.2).

Kantel de rail van het deurwiel (7351) zodat deze in het kalfje past en laat deze op zijn plaats zakken (6b.3). Centreer op de deuropening en verbind met de fundering d.m.v. muurplug (2003) en schroef (2002) (6b.4).

Verbind de zijframes van de deur (7361) met de middenprofielen (7311). Verbind deze na plaatsing met de bovenkant d.m.v. boutje (7052) en moertje (7053) (6b.5) - (6b.8).

Installeer onderaan een boutje (7052) in het kanaal aan beide kanten van de onderdorpel (7363) (6b.9) en schuif de onderdorpel op zijn plaats (6b.10) (6b.11).

## 7. OVERZICHT BEGLAZING

Sorteer a.u.b. de beglazing op afmeting en beglazingstype van uw model alvorens te beginnen. Als u glas hebt gekozen, dan zijn ruit E en F aan beide kanten identiek.

**N.B.** - De UV-bestendige kant van de polycarbonaat ruiten wordt aangegeven door de kunststoffolie of de bedrukking op de rand. **Deze kant moet naar buiten zitten.** Maak vóór de montage de folie op alle randen van elke ruit ongeveer 2 cm los. Als de montage van alle ruiten klaar is, verwijder dan de folie helemaal van de ruiten.

### 7a. DAKBEGLAZING/DAKRAND

Schuif de dakbeglazing in de geleiders in de dakprofielen (7a.2) (7a.3). Als twee aan elkaar grenzende ruiten op hun plaats zijn, schroef dan de beglazingsaanslagen (7342) of (7343) op het dakprofiel ertussenin d.m.v. de voorbereide gaten en zelftappende schroeven (7349) (7a.4) (7a.5). De ruiten moeten naar beneden schuiven tot tegen deze aanslagen.

Buig het profiel van de zijkant (7324 / 7326) in de hoek van de zijkant (7a.6) en zet het omlaag tot tegen de hoek van de zijkant. Verbind het met de hoek van de zijkant d.m.v. boutjes (7052) aan de buitenkant en moertjes (7053) binnen de kas (7a.7).

Voer de afstandhouder voor de beglazing (7424) boven de binnenrand van de hoek van de dakrand (7a.9) en afstandhouder voor de beglazing (7425) boven de buitenrand van de nokbalk (7a.10). Zet de nokoplossing (7425) op zijn plek met behulp van schroef (7439) (7a.10).

Monteer de eindafdekking van de beglazing (7447/7449) aan de nok met behulp van bouten (7052) die in de boutkanalen van de dakbalk zijn geplaatst, en met moeren (7053) (7a.10). Plaats op hetzelfde moment de plastic eindkappen (7468) en (7469) zo dat die de open uiteinden van de dakhoekbalken (7432/7433) afdekken en zet ze vast achter de

eindkap (7447/7449) (7a.10) (7a.11).

### 7b. ZIJBEGLAZING

Bepaal op dit punt in welke velden u de twee zijframes wilt monteren.

**Opmerking:** Dezen kunnen niet gemonteerd worden in een hoekveld of in velden die aan de deuropening grenzen. In deze velden worden dan de glaspanelen H gemonteerd in plaats van glaspaneel A.

Duw de glasafdichting (7382) in de bovengroef in elke (7381) en snij deze voor beide einden passend af.

Als de beglazing uit glas van bestaat, duw dan de glasafdichting (6090) op de aluminium profielen (7b.2) en snij deze op lengte. **N.B.** - Er wordt geadviseerd om op alle horizontale glasgeleiders kleinere lengten van de afdichting (6090) in het midden van elk veld te gebruiken. Hierdoor kan condenswater dat zich in de kas ophoopt, ontwijken.

**N.B.** - Bij polycarbonaat is het glasrubber niet nodig.

Door plaatsing van de (7050) boutkop in de verschillende geleiders in de glasafdekking kan de kas met ruiten van  $\leq 4$  mm, 10 mm of 16 mm (7b.2) worden beglaasd. Prepareer boutjes (7050) in elke glasafdekking zoals op de tekening (7b.3).

Prepareer voor beglazing van 10 mm 1 afstandsbus (7407), in de midden / aan de bovenkant van elke ruit A (7b.4). Plaats elke glasruit A in het frame en verbind de verticale afdekkingen (7372) of (7373) losjes met moeren (7053).

Til ruit A 15 mm op en verbind de afdekkingen (7381) losjes onder de ruit.

**N.B.** - De boutjes (7050) die gebruikt zijn om de diagonale schoren in sectie 1, 2, 3 en 4a te houden, moeten op dit punt (7b.8) worden herplaatst.

Prepareer voor beglazing van 10 mm 4 afstandsbussen (7409) op elk (7319), (7320) en (7444 / 7446) (2 afstandsbussen voor elke ruit E, F en J) (7b.5) (7b.6). Plaats ruit E, F en J. Verbind afdekking (7442) of (7443) en daarna (7379) / (7470) of (7380) / (7471) losjes.

**Opmerking** - Voor polycarbonaat beglazing voert u afstandshouders (7467) in de groef in de eindkappen (7468) of (7469) afhankelijk van de dikte, 10mm = 1 (7467), 16mm = 2 (7467). De kappen (7442) en (7443) zullen deze dan onder druk zetten waardoor de eindkappen (7468) en (7469) op hun plaats blijven zitten.

Draai alle moertjes vast. **Belast deze niet met teveel kracht bij het aandraaien.**

**N.B.** - De verticale afdekking kan het best worden gemonteerd als de bovenste bout het eerst in het gat wordt geïnstalleerd, daarna de middelste en ten slotte de onderste bout. Zorg ervoor dat de afdekking contact blijft houden met het kalfje.

### 8a. MONTAGE ZIJRAAM

Verwijder de moeren (7053) van de bovenste twee boutbevestigingskappen (7372) in de middenbalken (7311) naast de vensteropening.

Bereid (7053) en (7399) losjes voor in het laagste gat in de zijframes (7455) en (7456) (8a.1) van de ramen.

Draai de zijframes van de ramen (7455) en (7456) op de middenbalken (7311) boven glaspaneel H (8a.2) en maak de bovenste dopmoer (7053) (8a.3) (8a.4) opnieuw vast.

Bereid (7053) en (7399) losjes voor in het onderste gat in dorpelbalk van het raam (7452). Draai ze in positie zodat ze het glaspaneel H afdekken waarbij de middelste dopmoer in het bovenste gat past aan beide kanten van (7452) (8a.5).

Maak de middelste dopmoer (7053) (8a.6) opnieuw vast.

Monteer met behulp van schroeven (7088) het raamscharnier (7419) aan de zijframes (7455) en (7456) (8a.7) van het raam. **Opmerking:** Alleen verbinden met behulp van de voorbereide lange gaten in het scharnier.

Monteer het voorbereide zijraam (zie paragraaf 5a) tussen de twee raamscharnieren (7419) met behulp van schroeven (7088).

**Opmerking:** Alleen verbinden met behulp van de voorbereide lange gaten in het scharnier.

Sluit het raam en controleer dat het sluit over de dorpelbalk (7452) zonder hiermee contact te maken. De raamhoogte kan worden aangepast met behulp van de lange gaten in scharnier (7419) en als deze op maat is, vastgezet worden door extra schroeven in de andere gaten te plaatsen.

Plaats raamvergrendelingen (6056) op de dorpelbalk (7452) met behulp van schroeven (7403) (8a.9).

Plaats ze door de lange gaten in de raamopener (7090) uit te lijnen als het raam gesloten is (8a.10).

Als het raam gesloten is, kan de raamopener (7090) vergrendeld worden op beide (6056) om het raam gesloten te houden (8a.10).

**Opmerking** - Als de borstelafdichting (7457) in de bovenste raambalk (7450) visueel stoort als het raam gesloten is kan deze korter worden geknipt, zie details (5a.10).

Herhaal dit voor het andere raam.

## 8b. MONTAGE BOVENSTE RAAM

Verwijder de moeren (7053) van de twee bouten die de kappen (7440) en (7441) in de hoekbalk (7437/7438) en de middelste balk (7439) naast de raamopening (8b.1). Draai de zijframes (7465) en (7466) naar de voorbereide bouten (8b.1) (8b.2) en verbind de moeren van de kappen (7053) (8b.3) (8b.4).

Plaats (7053) en (7399) losjes in de gaten in de dorpelbalk van het raam (7462). Draai deze op zijn plaats waarbij de kop van (7399) in de binnenkant van het boutkanaal van de horizontale balk (7444.7446) wordt gemonteerd (8b.5) (8b.6).

Monteer met behulp van schroeven (7088) het raamscharnier aan de zijframes van het raam (7465) en (7466) (8b.7) **Opmerking:** Alleen verbinden met behulp van de voorbereide lange gaten in het scharnier.

Monteer met behulp van schroeven (7088) het voorbereide zijraam (zie paragraaf 5b) tussen de twee raamscharnieren (7419). **Opmerking:** Alleen verbinden met behulp van de voorbereide lange gaten in het scharnier.

Sluit het raam en zorg ervoor dat het sluit boven de dorpelbalk (7462) zonder aan te lopen. De raamhoogte kan worden aangepast met behulp van de lange gaten in het scharnier (7419) en indien juist gemonteerd door extra schroeven in de andere gaten te plaatsen.

Monteer de raamvergrendelingen (6056) met behulp van schroeven (7403) op de dorpelbalk (7462) (8b.9). Bepaal de plaats door ze uit te lijnen met de lange gaten in de raamopener (7090) als het raam gesloten is. (8b.10). Wanneer het raam gesloten is kan de raamopener (7090) worden vastgezet op beide (6056) als het raam gesloten is. (8b.10).

**Opmerking** - Als de borstelafdichting (7457) boven de toptrand van (7460) uitsteekt als het raam gesloten is, kan deze worden afgeknipt, zie afbeelding (5b.10).

(11500) Herhalen voor het andere raam.

## 9. LAATSTE STAPPEN

Installeer kunststof voor de zijkant (7370) en (7371) in beide uiteinden van het zijkantprofiel (7324 / 7326) (9.1) (9.2).

**N.B.** - Het kan nuttig zijn om het zijkantprofiel aan de bovenrand voorzichtig weg te trekken van de kas zodat de opening voor de kunststof groter wordt.

Installeer een platkopbout (1412) in het boutkanaal aan de onderkant van het hoekprofiel (7310) en verbind onderdeel (1405) en (1409) aan beide kanten (9.3) met een aluminium moertje (1002). Installeer de

kniebocht (1402) op de onderkant van elke pijp (1415) (9.6) en verbind deze met de kunststof van de zijkant (7370) of (7371) (9.9). Installeer de klem van de valpijp (1403) rond de valpijp en verbind deze met (1409) (9.4). Installeer schroef (1006) om de valpijp op zijn plaats te fixeren (9.5).

Monteer deurrail (7359) in de deuropening. Verbind deze met (7444/7446) door de bouten (7052) in het boutkanaal aan de buitenkant van deze balken in te voeren en ze vast te zetten met moeren (7053) (9.7).

Installeer aan beide kanten van het deurrailprofiel (7359) een boutje (7052) aan de buitenkant en een moertje (3002) binnen de deurgeleider om te voorkomen dat de deur uit de rail (9.7) (9.8) schuift.

Plaats de deuren door de kunststof deurgeleiders (2271) in de geleider in het deurrailprofiel (7359) (9.9) (9.10a) te plaatsen en laat dan de wielen op de deurrail op profiel (7351) (9.10b) zakken. Haak de deurclips (7350) onder de lip op (7351) en draai de borgmoeren (7360) (9.10b) vast.

Monteer de kunststof moerdoppen (6070) door ze op alle zichtbare moertjes (7053) binnen de kas (9.11) te duwen.

## AFWERKING

Desgewenst kan de kas aan de randen verder worden afgedicht met neutrale siliconenkit. Silicone is niet voor dit doel inbegrepen.

Plaats het waarschuwinglabel aan de binnenkant van de kas.

Controleer a.u.b. twee weken na het voltooiën van de montage of alle moertjes en boutjes vastzitten.

Er is een compleet assortiment kasaccessoires beschikbaar bij uw leverancier om dit product ten volle te benutten. Informeer a.u.b. naar de mogelijkheden.

## VEILIGHEIDSREGELS

Sluit bij zware wind altijd de deuren en alle ramen.

Houd bij zware sneeuwval het dak van de kas vrij of zorg voor een goede ondersteuning van het dak. Verwarm de kas in de winter.

## COMMENTAAR

Voor de gehele bescherming van uw nieuwe kas raden wij u aan om deze op te nemen in uw **opstalverzekering**. Denk er ook aan dat de kas aan alle bouwweisen moet voldoen en houd ook rekening met de plaats van de kas.

Plak alstublieft de inbegrepen sticker van het

kasmodel op het deurprofiel (7353) of (7353) nadat de kas succesvol is geïnstalleerd. Deze informatie is belangrijk voor het vervangen van onderdelen in de toekomst.

Bewaar deze montage-instructies op een veilige plek zodat u deze nog altijd kunt nalezen.

Ons beleid is gebaseerd op het continu verbeteren van onze producten en hierdoor behouden wij ons het recht voor om modellen te veranderen zonder verdere berichtgeving.

## 1. LÆS VENLIGST DENNE VEJLEDNING, INDEN DE GÅR I GANG MED AT SAMLE DERES DRIVHUS.

- De bør **altid** bruge handsker, hjelm og sikkerhedsbriller, når De arbejder med polycarbonat eller glas. Der kan også forekomme skarpe kanter på hjørner og kanter af aluminiumsprofiler. Itugået glas udgør en sikkerhedsrisiko. Fjern straks eventuelle glasskår under agtpågivenhed. Her bør De også bære handsker.
- Produktet er konstrueret som et drivhus beregnet til planteavl og er som sådan ikke konstrueret til at være helt tæt, da det er nødvendigt med udluftning bl.a. for at undgå kondensdannelse. Såfremt De ønsker at anvende drivhuset som et "uderum/stue" eller lign., gør vi udtrykkeligt opmærksom på, at drivhuset ikke er 100 % vandtæt, og vi påtager os ikke noget ansvar for eventuelle skader på løsøre el. lign., der er anbragt i drivhuset.
- Til montage af dette produkt kræves 2 personer.
- Ved anvendelse af trappestige bør stigen under brug sikres af en person.
- Skulle De få problemer med drivhusmontagen eller glasisætning, er De velkommen til at kontakte OPJ A/S eller Deres forhandler.
- Drivhuset bør gøres forsvarligt fast til undergrunden.

**Anvend ikke vold!**

Vi ønsker Dem god arbejdslyst og håber, at De får rigtig mange gode stunder med og i Deres Vitavia drivhus.

**Når De har læst denne vejledning opfordrer vi Dem til at besøge [www.vitavia.dk](http://www.vitavia.dk), hvor De kan finde gode råd, downloade vejledninger og desuden se instruktionsvideoer, der viser samling af Vitavia drivhuse.**

## MONTAGEVEJLEDNING

**PLACERING**

Vælg et solrigt sted, hvor der er mest muligt læ.

**VIGTIGT**

Før De begynder at samle Deres drivhus/udestue, kontroller venligst efter indholdsfortegnelsen, at alle dele er medleveret. Tag de enkelte bundter ud af kassen for bedre at kunne kontrollere indholdet.

Det er vigtigt ikke at blande de åbnede bundter.

Hvis der mangler noget, kontakt venligst Deres forhandler.

**Vigtigt!** Den UV-bestandige side på polycarbonatpladerne er markeret med en folie. Denne side skal vende udad. Fjern folien før montage.

Det anbefales at anvende den medfølgende tube silikone til at tætnede drivhuset yderligere. Det er vist i illustration (4b.7), (4b.8), (7a.6) og (7a.8), hvor silikonen skal anvendes. Bemærk: Ved illustration (7a.6) og (7a.8) skal der lægges en silikonestreng i hele profilens længderetning.

**NØDVENDIGT VÆRKTØJ**

Skruetrækker (stjerne PH2 og PZ2)

Akkuboremaskine med moment

Gummihammer

1x10 mm fastnøgle.

1x10 mm gaffelnøgle

1 målebånd/tommestok

1 vinkel

1 vaterpas

1 hobbykniv

1 skævbider

2 trappestiger 1,80 m.

**VEDLIGEHOLDELSE**

Drivhuset bør lejlighedsvis rengøres grundigt med et mildt rengøringsmiddel. Glasset kan rengøres med et hvilket som helst rengøringsmiddel, der ikke skader aluminiumsprofiler eller kunststof.

Dørskinnerne bør regelmæssigt rengøres og smøres med stearin/grafitolie.

**0. FUNDAMENT**

**Vigtigt!** Anvend en stor vinkel og et vaterpas til at kontrollere, at soklen er vandret, og alle vinkler skal være 90°. Dette kan også kontrolleres ved at krydsmålene er ens som vist på tegning 0.

Vi anbefaler, at drivhuset anbringes på et solidt fundament.

Ønsker De selv at bygge et sten- eller betonfundament, følg da dimensionerne, som er vist i afsnit 0. Materialer til dette indgår ikke i leve-rancen.

Det viste fundament giver mulighed for at placere dobbeltskydedøren i en af de to gavle eller i fronten af drivhuset. **NB! VIGTIGT:** Tag højde for, at dørskinne (7351) går længere ud end bundskinnen.

Ved støbning af fundament bør dette gå ned i frostfri dybde. Derved reduceres risikoen for, at der opstår skader på huset som følge af frostpåvirkninger af jorden.

**NB!** Støbning/fastgørelse til undergrunden er i mange tilfælde et krav fra forsikringssselskaber for at opnå forsikringsdækning på drivhuset. Vi anbefaler, at De kontakter Deres forsikringssselskab for at høre om reglerne, der

er gældende hos Deres selskab.

**Alle tegninger af drivhuset er set indefra, undtagen de tegninger, hvor der er dobbeltstreg udenom. Disse er set udefra.**

**1. FRONT**

**NB!** Hvis døren skal placeres i husets front, skal De undlade at montere en af de lodrette profiler (7311) markeret med ①.

Klem tætningsliste (7396) fast på bundlisten/dørtrinnet (7304 / 7306) og tilpas længden i begge ender med en hobbykniv, se (1.1) og (1.2).

Placer delene på jorden i henhold til modeltegning 11500 og bolt dem løst sammen ved at anbringe bolte (7052) i profilsporene som vist på (1.3).

Sørg omhyggeligt for, at vinklerne på tagremmen (7314 / 7316) placeres korrekt i hjørnerne på begge hjørnestolper (7310), se (1.3) og (1.4), og at hjørnestolperne (7310) og midterprofilerne (7311) støder an mod monteringsflangen på tagremmen, som vist i den stiplede cirkel på (1.9) og (1.12).

Fastgør skråstiverne (7312) på begge sider, se (1.3), (1.4), (1.10) og (1.11). Skråstiverne monteres løst til bundskinnen med bolt (7050). Bolt (7050) skal fjernes, når glasset sættes i (sektion 7b).

**2. GAVL L**

**NB!** Hvis døren ønskes placeret i denne side, skal De undlade at montere den midterste sideprofil (7311) markeret med ①.

Klem tætningsliste (7396) fast på bundlisten (7304) og tilpas længden i begge ender med en hobbykniv (2.1) og (2.2).

Placer alle delene på jorden og bolt dem løst sammen ved at anbringe bolte (7052) i profilsporene som vist på (1.3).  
Overligger (7319) skubbes ind i udklinkningen på hjørneprofil (7437) og fastspændes med bolt (7052) og møtrik (7053), se (2.3) og (2.4).  
Bundprofil (7304) fastgøres til hjørnestolpe (7437) med bolt (7052) og møtrik (7053), se (2.5) og (2.6).  
Monter de midterste lodrette profiler (7311), se (2.7) og (2.8).

Fastgør skråstiverne (7312), se (2.3), (2.4), (2.9) og (2.10). Skråstiverne monteres løst til bundskinnen med bolt (7050). Bolt (7050) skal fjernes, når glasset sættes i (sektion 7b).

### 3. GAVL R

**NB!** Hvis døren ønskes placeret i modsatte gavl eller i fronten, skal den midterste sideprofil (7311) markeret med ① monteres i denne side ①b.

Saml alle dele som beskrevet under sektion 2.

### 4a. SAMLING OG MONTERING AF ELEMENTERNE

Klem tætningsliste (7396) fast på bundlisten/dørtrinnet (7304 / 7306) og tilpas længden i begge ender med en hobbykniv, se (4a.1) og (4a.2).

For at samle de tidligere forberedte sideelementer monteres løst bolte (7399) og møtrikker (7053) i bundlister (7304) som vist i (4a.3). Monter hjørnestolper (7310) ved at lade profilsporene på (7310) glide ned over hovederne på bolte (7052) som vist på (4a.4).

Fastgør skråstiverne (7312) på begge sider, se (4a.5). Skråstiverne monteres løst til bundskinnen med bolt (7050). Bolt (7050) skal fjernes, når glasset sættes i (sektion 7b).

Forbind overligger (7319) og (7320) med hjørnestolperne ved hjælp af bolte (7399) og møtrikker (7053) således, at de støder an mod tagremmen i fronten (4a.6) (4a.7).

Monter løst bolte (7399) og møtrikker (7053) i bundskinnerne (7304 / 7306) som vist i (4a.3).

Sænk hjørnestolper (7437/7438) så de glider ned over hovederne på bolte (7052) i sporene på (7437 / 7438) som vist på (4a.4).

Monter frontrem (7444 / 7445) i udklinkningen på hjørnestolperne (7337 / 7438) ved hjælp af bolte (7399) og møtrikker (7053), se (4a.8) og (4a.9).

Monter bagremmen (7434 / 7436) på hjørnestolpe (7437 / 7438), se (4a.10) og (4a.11).

Monter skråstivere (7312) i fronten. Monter kun løst til bundskinnen ved hjælp af bolt

(7050). Bolt (7050) skal fjernes igen, når glassene skal isættes (afsnit 7b).

Anbring det samlede stel på det forberedte fundament. Kontroller at stellet er i lod og vater og bor Ø6 huller gennem de forberede huller i (7304) og (7306). Anbring murpløkker (7421) i de borede huller og spænd stellet løst fast til fundamentet ved hjælp af skruer (7411), se (4a.12).

### 4b. TAG

Monter løst de mellemste sideprofiler (7311) mellem bundprofil (7304 / 7306) og den vandrette rem (7444 / 7446), se (4b.1) og (4b.2).

Monter løst mellemprofiler (7439) mellem overligger (7434 / 7436) og rem (7444 / 7446), se (4b.2).

Monter taghjørneprofilerne (7432) (7433) oven på tagremsvinklen (4b.3) (4b.4). Sørg for, at taghjørneprofilerne sidder korrekt og støder an mod forhøjningen yderst på tagremmen (4b.9) og at de små huller på ydersiden af gavlprofil (7432/7433) er ved husets front (4b.3).

Forbind taghjørneprofilerne (7432) (7433) med tagrem (7334 / 7336) og med forreste hjørnestolper (7437 / 7438) ved hjælp af beslag (7348), se (4b.6).

I siderne forbindes de lodrette mellemprofiler (7346) og (7347) til de vandrette profiler (7319 / 7320) og til taghjørneprofilerne (7432 / 7433) ved hjælp af beslag (7348), se (4b.5).

Monter bolt (7052) i sporet på de mellemste tagprofiler (7426) ved forreste tagrem og sænk dem ned og fastgør dem på tagremmen ved hjælp af skive (7395) og møtrik (7053), se (4b.7) og (4b.8). **NB!** Bemærk brug af silikone som tætning, se (4b.7) og (4b.8)

Sørg for, at profil (7426) sidder korrekt og støder an mod forhøjningen yderst på tagremmen (4b.9) og at det lille hul på ydersiden af (7426) er ved husets front.

Monter bolt (7052) i sporet på (7426) ved bagerste tagrem og forbind med tagremmen (7434 / 7436), se (4b.10).

Justér stellet indtil det er retvinklet og i lod og vater og spænd alle skruer (7411) og (7412) og møtrikker (7053). **Undgå at overspænde!**

Monter afstivere (7331) mellem de mellemste sideprofiler (7311) og de mellemste tagprofiler (7426) ved hjælp af bolte med tilfiede hoveder (7399), se (4b.11) og (4b.12).

### 5a. SIDEVINDUER

Saml vinduets bundprofil (7451) med de to sideprofiler (7453) og (7454), se (5a.2) og (5a.3).

Lad glas D glide ind i sporene (5a.5) på de samlede dele (5a.4) (5a.5).

Sæt bolt (7052) og møtrik (7053) løst i

vinduets topprofil (7450) og pres topprofilen ned over sideprofilerne (7453) og (7454), således at bolthovederne glider ind i boltsporene, og glaspladen glider ind i sporene til glas, som vist i (5a.6) og (5a.7).

Tilskær glasliste (7420) og pres denne ind i glassporene på vinduets inderside for at holde glasset på plads (5a.8) (5a.9).

Sørg for, at alle vinkler er rette, inden møtrikkerne i vinduet spændes.

**Spænd møtrikkerne – men uden at overspænde!**

Skub tætningsliste (7457) ind i sporet på topprofil (7450) og sideprofilerne (7453) og (7454), se (5a.10) og skær overskydende tætningsliste af med en hobbykniv.

**NB!** Hvis tætningsliste (7457) er for synlig, når vinduet lukkes (se afsnit 8a), kan den trimmes kortere med en saks (5a.10).

Monter udskyderstangen (7090) på vinduets bundprofil (7451) ved hjælp af afstandsplade (7413) og to skruer (7349), se (5a.11) og (5a.12).

Sæt plastic dækpropper (6070) på alle møtrikker (7053), se (5a.13).

### 5b. VINDUER

Saml alle dele som beskrevet under sektion 5a.

### 6a. SKYDEDØRE

Skub tætningsliste (børste) (7332) ind i sporet på dørprofilerne (7352), (7353), (7355), (7356) og (7357), se (6a.2) og tilpas tætningslisterne i længden.

Anbring en afstandsbojsning (7392) på hver side af dørhjulet (7392). Monter derefter dørhjul (7364) løst på den nederste dørprofil (7355) ved hjælp af bolt (7393), vinkelbeslag (7350) og låsemøtrik (7360) (6a.3).  
Spænd nederste dørprofil (7355) sammen med inderste lodrette dørprofil (7357) eller (7358), se (6a.3) og (6a.7a).

Monter låsedelene (7400), (7401) og (7402) på mellemste dørprofil (7354) eller (7384) ved hjælp af bolte (7404). Monter midterste dørprofil på den lodrette dørprofil (7357) eller (7358) ved hjælp af bolte (7052), møtrikker (7053) og bolte (7405), se (6a.4), (6a.5) og (6a.8).

**Spænd bolte (7404) og (7405) – men uden at overspænde!**

Øverste vandrette dørprofil (7352) eller (7353) boltes på de inderste dørprofiler (7357) eller (7358), se (6a.6) og (6a.7b).

Lad glas/polycarbonatplade G glide ind i sporene på de samlede dørprofiler (6a.9).

Når yderste dørprofil (7356) skal monteres, gøres dette lettest, når de allerede samlede dele vendes som vist på (6a.9). Monter løst bolt (7052) og møtrik (7053) i yderste dørprofil (7356) og lad (7356) glide ned over (7355) og (7354) eller (7384) og (7353) således at bolthovederne kører i boltsporet og glasset glider i glassporet som vist i ((6a.9) og (6a.10)). Monter dørstyr (2271) øverst i begge døre, se (6a.6).

**NB!** Tilskær glasliste/gummiliste (7420) og klem denne ned i mellemrummet i glassporene på dørklassenes inderside for at fikseres glasset, se (6a.11).

## 6b. DØRRAMME OG DØRTRIN

Monter dørstøtte (7362) på bundskinne (7302) ved hjælp af bolte (7390), se (6b.1) og (6b.2).

Vip dørskinne (7351) så den griber fat i profileringen på bundskinnen (7302) og sænk den ned på plads (6b.3). Centrér i forhold til døråbningen og fastgør til fundamentet ved hjælp af murpløk (2003) og skrue (2002), se (6b.4).

Anbring siderne af dørrammen (7361) på de mellemste sideprofiler (7311). Derefter fastgøres dørrammen til tværligger (7444 / 7446) ved hjælp af bolt (7052) og møtrik (7053), se (6b.5) – (6b.8).

For neden anbringes en bolt (7052) i sporet på begge sider af dørtrinnet (7363), se (6b.9) og skub dørtrinnet på plads (6b.10) og (6b.11).

## 7. GLASPLAN – OVERSIGT

Sorter glas og polycarbonat i overensstemmelse med modelstørrelse og valg af dækmateriale før isætning af glas/polycarbonat påbegyndes.

**Vigtigt!** Den UV-bestandige side på polycarbonatpladerne er markeret med en folie. Denne side skal vende udad. Løs den yderste ca. 2 cm hele vejen rundt, så folien let kan fjernes efter isætning. De skal lade folien sidde under montering, da det ellers er umuligt at afgøre med det blotte øje, om pladen vender den rigtige side udad. Fjern folien, når alle plader er sat i.

## 7a. MONTERING AF POLYCARBONAT I TAGET

**NB! BEMÆRK VENLIGST OVENNÆVNTE SIKKERHEDSFORANSTALTNINGER.**

Skub polycarbonatpladerne til taget ind i sporene på tagpladerne (7a.2) og (7a.3). Når to tilstødende plader er på plads, monteres tagpladestop (7342) eller (7343) på tagprofilen imellem dem ved isætte de selvskærende skrue (7349) i de forberedte huller, se (7a.4) og (7a.5). Polycarbonatpladerne skal glide ned og have anslag mod tagpladestopperne.

Vip tagafslutningsprofilen (7324 / 7326) så den hængsler på tagremmen (7a.6) og vip den ned, så den støder an mod tagremmen. **NB!** Bemærk brug af silikone som tætning ved illustration (7a.6) og (7a.8). **Der skal lægges en silikonestreg i hele profilens længde.** Spænd derefter (7324 / 7326) fast på tagremmen ved hjælp af bolte (7052) udvendigt fra og møtrikker (7053) indvendigt fra (7a.7).

Spænd den fast på tagremmen ved hjælp af bolte (7052) udvendigt fra og møtrikker (7053) indvendigt fra (7a.7).

Anbring afstandsstykke (7424) på den indvendige kant på tagremmen (7a.9) og anbring afstandsstykke (7425) på den indvendige kant af murremmen (7a.10). Ved murremmen fastgøres afstandsstykke (7425) med skrue (7349), se (7a.10).

## 7b. MONTERING AF GLAS I SIDERNE

Inden næste skridt tages, skal det besluttes i hvilke felter, de tre ventilationsvinduer skal sidde.

**NB!** Vinduerne kan ikke anbringes i et felt, der grænser op til et hjørne eller til dørpartiet.

I de felter, hvor der anbringes et vindue, monteres glas H i stedet for glas A.

Tryk tætningsliste (7382) fast på hver af de lodrette sideprofiler (7381) som vist i cirklen og skær til med en hobbykniv i begge ender.

Tryk glasliste (6090) fast på aluminiumsprofilerne (7b.2). Tilpas længden på glaslisten med en hobbykniv. **NB!** Det anbefales ikke at lade glaslisten gå helt ud til siderne på de vandrette profiler, derved opnås større luftcirkulation med mindre kondensdannelse til følge.

**OBS!** Såfremt De har valgt en model med polycarbonatbeklædning skal der ikke anvendes glaslister.

Hovedet på bolt (7050) kan skubbes ind i tre forskellige spor på dækliesterne som vist på (7b.2). Dette giver mulighed for at anvende enten ≤ 4 mm glas, 10 mm og 16 mm polycarbonatplader som dækmateriale (7b.3).

Ved 10 mm plader anbringes 1 afstandsstykke (7407) foroven i midten af hver plade type A (7b.4).

Anbring alle plader type A og H i stellet og monter løst de lodrette dækliester (7372) eller (7373) løst med bolte (7053).

Løft rude A og H 15 mm så der er plads til at skubbe dækliesterne ind i styresporene på bundlisten og forbind derefter løst dækliesterne (7381) under ruden.

**NB!** Boltene (7050), der anvendtes til at fastgøre skråstiverne i afsnit 1, 2, 3 og 4a, skal

udskiftes på dette trin (7b.8).

Ved 10 mm plader anbringes 4 afstandsstykker (7409) på overligger (7319), (7320) og (7444 / 7446) – 2 afstandsstykker til hver rude E, F og J, se (7b.5) og (7b.6). Isæt rude E, F og J.

Forbind løst dækliester (7442) og (7443) og derefter (7379) / (7470) eller (7380) / (7471).

**Spænd alle møtrikker – men uden at overspænde!**

**Tip:** Det er lettest at montere de lodrette dækliester, hvis man starter med skubbe den øverste bolt gennem hullet og derefter den midterste og endelig den nederste. Sørg for, at dæklisten slutter tæt mod bundlisten.

## 8a. SAMLING AF SIDEVINDUER

Fjern møtrik (7053) fra de to øverste bolte, der holder dækliesterne (7372) på mellemprofilerne (7311) ved siden af vinduesåbningen.

Klargør (7053) og (7399) i det nederste hul i vinduets sideprofiler (7455) og (7456), se (8a.1).

Drej vinduets sideprofiler (7455) og (7456) mod mellemprofilerne (7311) oven over glasstykke H (8a.2) og genmonter møtrikkerne (7053), der holder dækliesterne (8a.3) (8a.4).

Klargør løst (7053) og (7399) i det nederste hul i vindueskarmen (7452). Drej denne, så den dækker glasstykke H således, at den mellemste bolt fra dæklisten rammer det øverste hul på begge sider af (7452), se (8a.5).

Genmonter den mellemste dæklistemøtrik (7053), (8a.6).

Anvend skrue (7088) til at fastgøre vindueshængsel (7419) på vinduets sideprofiler (7455) og (7456), (8a.7).

**NB!** Det er vigtigt kun at anvende de forberedte huller i hængslet.

Monter det forsamlede sidevindue (se afsnit 5a) mellem de to vindueshængsler (7419) ved hjælp af skrue (7088).

**NB!** Anvend kun de forstansede huller i hængslet.

Luk vinduet og sørg for, at det lukker over vindueskarmen (7452) uden at røre denne. Vinduet kan højdejusteres ved at anvende de aflange huller i hængslet (7419). Når vinduet er i korrekt position monteres skrue i de øvrige huller.

Monter vinduespløkker (6056) på underkarmen (7452) ved hjælp af skrue (7403), (8a.9). Placeringen findes ved lukke vinduet (8a.10) og markere de aflange huller på udskyderstangen (7090). Når vinduet er lukket kan udskyderstangen (7090) haspes på begge pløkker (6056) og holde vinduet fastlukket (8a.10).



**NB!** Hvis tætningsliste (7457) er for synlig, når vinduet lukkes, kan den trimmes kortere med en saks, se detaljetegning (5a.10).

Gentages for det andet vindue.

### 8b. SAMLING AF VINDUER OVER DØRENE

Fjern møtrik (7053) fra de to øverste bolte, der holder dæklisterne (7440) og (7441) på hjørneprofilerne (7437 / 7438) og på mellemprofilerne (7439) ved siden af vinduesåbningen, se (8a.1).

Drej vinduets sideprofiler (7465) og (7466) så de passer på de klargjorte bolte (8b.1) (8b.2) og genmonter møtrikker (7053), se (8b.3) (8b.4).

Monter løst (7053) og (7399) i hullerne i vindueskarmen (7462). Drej den på plads, så hovedet på (7399) passer ind i sporet på den vandrette profil (7444 / 7446), se (8b.) (8b.6).

Ved hjælp af skruer (7088) monteres vindueshængsel (7419) på vinduets siderammer (7465) og (7466), se (8b.7).

**NB!** Benyt kun de forstansede huller i hængslet. Monter det forsamlede sidevindue (se afsnit 5b) mellem de to vindueshængsler (7419) ved hjælp af skruer (7088).

**NB!** Anvend kun de forstansede huller i hængslet.

Luk vinduet og sørg for, at det lukker hen over vindueskarmen (7462) uden at røre denne. Vindueshøjden kan justeres ved at bruge de aflange huller i hængslet (7419). Når placeringen er korrekt fastgøres det ved hjælp af ekstra skruer i de andre huller.

Monter vinduespløkkerne (6056) på vindueskarmen (7462) ved hjælp af skruer (7403), se (8b.9). Placer dem, så de passer ind i de aflange huller i udskyderstangen (7090), når vinduet er lukket, se (8b.10). Ved at lade udskyderstangen (7090) glide ned over begge vinduespløkker, kan udskyderstangen holde vinduet lukket, (8b.10).

**NB!** Hvis tætningslisten (7457) er for lang og stikker ud foroven på (7460), kan den tilpasses i længden med en saks eller en hobbykniv.

(11500) Gentages for det andet vindue.

### 9. SIDSTE TRIN

Skub plastic studs til nedløbsrør (7370) og (7371) ind i begge ender af tagrenden (7324 / 7326), se (9.1) (9.2).

**Tip:** Det kan være en hjælp forsigtigt at trække tagrendeprofilen lidt væk fra huset, så åbningen til indpresning af studsene til nedløbsrøret bliver større.

Indsæt en bolt med tilfilet hovede (1412) i bunden af boltsporet i hjørnestolpe (7310) og monter bøsning (1405) og beslag (1409) med møtrik (1002), se (9.3).

Klem bøjning (1402) fast på nederste del af nedløbsrøret (1415), se (9.6), og klem derefter røret op omkring studsene til nedløbsrøret (7370) eller (7371), se (9.9).

Klem beslag (1403) fast rundt om nedløbsrøret og pres derefter (1403) således, at klem-beslaget får greb i flangen på beslag (1409), se (9.4).

Isæt skrue (1006) til fastholdelse af nedløbsrøret, se (9.5).

Monter dørskinnen (7359) over døråbningen. Dørskinnen monteres på overligger (7444 / 7446) ved at anbringe bolte (7052) i boltsporet på ydersiden af overliggerne og spænde sammen med møtrikker (7053), se (9.7).

For at undgå, at dørene kører ud af dørskinnen (7359), monteres udvendigt en bolt (7352) og indvendigt en møtrik (3002) i dørstyret, se (9.7) og (9.8).

Løft dørene på plads, således at plastic dørstyrene (2271) går ind i sporet på dørskinnen (7359), se (9.9) og (9.10a). Sænk derefter døren, således at dørhjulet (7364) glider ned over vulsten på dørskinnen (7351), se (9.10b).

Klem vinkelbeslag (7350) fast under den lille flange på vulsten på dørskinnen (7351) og stram låsemøtrikkerne (7360), se (9.10b).

Sæt plasticdækpropper (6070) på alle synlige møtrikker (7053) inde i drivhuset (9.11).

### FÆRDIGGØRELSE

Hvis De ønsker at tætte hjørner og samlinger kan dette gøres med silikone (ikke inkluderet). Vær dog opmærksom på, at jo tættere huset er, jo mere kondens vil der blive dannet.

Den vedlagte selvklebende identifikationsetiket kan med fordel anbringes indvendigt i drivhuset – f.eks. indvendigt på (7352) eller (7353) eller lign. Oplysningerne på etiketten vil gøre det meget lettere for Dem at fremskaffe reservedele, såfremt dette skulle blive aktuelt.

Ca. 2 uger efter færdiggørelse kontrolleres det, at alle møtrikker er spændt korrekt.

### SIKKERHEDSANVISNING

**Brug arbejdshandsker**, da nogle af delene kan have skarpe kanter. Ligeledes bør sikkerhedshjelm og sikkerhedsbriller anvendes under montagen.

I tilfælde af stærk blæst eller storm: Luk alle oplukkede vinduer og døre, afmonter om nødvendigt eventuelle automatiske vinduesåbnere. Se endvidere vor hjemmeside

[www.vitavia.dk](http://www.vitavia.dk), hvor De finder gode råd til forebyggelse af stormskader.

I tilfælde af stormskade kan der være mange glasstumper, som skal fjernes med stor forsigtighed for at undgå personskader.

I tilfælde af kraftigt snefald: Ryd drivhusets tag for sne og træf passende foranstaltninger til at understøtte taget f.eks. med en stolpe el. lign.

### ANMÆRKNINGER

Vi anbefaler, at De sørger for, at Deres husforsikring også dækker Deres drivhus.

Overhold alle byggevedtægter. Kontakt Teknisk Forvaltning i Deres kommune, hvis De er i tvivl.

Vi forbeholder os ret til uden varsel at foretage løbende produktjusteringer. På vor hjemmeside [www.vitavia.dk](http://www.vitavia.dk) vil De altid kunne downloade den nyeste manual, som derfor kan afvige lidt fra Deres produkt. Manualens udgave kan identificeres ved hjælp af den talkode, der er trykt nederst på hver side i manualen. På hjemmesiden kan De også læse mere om vort store udvalg i tilbehørsartikler.

Alle målangivelser er ca.-mål.

Typebetegnelsen skal De bruge ved bestilling af evt. reservedele, så venligst opbevar montagevejledningen til senere brug.

Vi ønsker Dem god arbejdslyst og håber, at De får rigtig mange gode stunder med og i Deres Vitavia drivhus.

## Disposizioni di sicurezza

1. **LEGGERE COMPLETAMENTE LE PRESENTI ISTRUZIONI DI MONTAGGIO PRIMA PRIMA DI INIZIARE I LAVORI!!**
2. Durante il maneggio di vetro, pannelli di policarbonato o componenti di serre si raccomanda di portare sempre occhiali di protezione, guanti e calzature di sicurezza nonché un elmetto protettivo, poiché gli spigoli taglienti possono causare delle lesioni. I vetri rotti costituiscono un elevato rischio per la sicurezza. Eliminare i vetri rotti con la massima prudenza.
3. Il prodotto acquistato è ideato per la coltivazione di piante e deve essere utilizzato esclusivamente per questo scopo.. Per qualsiasi altro utilizzo si declina ogni responsabilità.
4. Per il montaggio di questo prodotto sono richieste due persone.
5. Se si utilizza una scala a pioli è consigliabile la presenza di una seconda persona che la tenga ferma.
6. Qualora dovessero verificarsi delle complicazioni durante l'operazione di montaggio della serra o all'inserimento della vetratura, vogliate contattare il vostro commerciante di fiducia – **Non usare in nessun caso la forza!**
7. La serra deve essere ancorata al suolo.

## Descrizione della struttura

### SCelta DEL LUOGO

Scegliere possibilmente un posto al sole, ma al contempo protetto dal vento.

### IMPORTANTE

Prima di iniziare le operazioni di montaggio della serra, accertarsi che siano presenti tutti i componenti elencati. Prelevare i componenti dall'imballaggio, per poterli identificare meglio. È particolarmente importante non mischiare tra di loro i componenti aperti. Se nonostante un accurato controllo dovessero mancare delle parti, contattate il vostro rivenditore.

**Attenzione** – il lato resistente ai raggi UV dei pannelli a camera vuota è contrassegnato da una pellicola di plastica o da una nota stampata sui bordi. **Questo lato deve volgere verso l'esterno!**

Per sigillare accuratamente la serra si consiglia di utilizzare sigillante siliconico a reticolazione neutra. Come illustrato nelle figure (4b.7), (4b.8), (7a.6) e (7a.8). Il silicone è accluso.

### UTENSILI RICHIESTI

Giravite (piatto e a croce PH2)  
 Martello di gomma  
 2 scale (1.80 m)  
 Chiave da 10 mm  
 Chiave ad anello e a bocca  
 Coltello  
 Metro pieghevole  
 Livella a bolla  
 Avvitatore a batteria con coppia regolabile.

### MANUTENZIONE

Pulire periodicamente la serra con una soluzione detergente neutra non aggressiva. Il vetro può essere pulito con una soluzione non aggressiva, che non intacchi i componenti di materiale sintetico, i telai d'alluminio né le

graffe delle molle per i vetri. Pulire periodicamente la guida di scorrimento della porta.

### 0. FONDAMENTA

**Importante!** Le fondamenta devono essere assolutamente ad angolo retto e livellate. Utilizzare a tal riguardo una livella a bolla e un angolare.

**Attenzione:** Se la distanza tra i due angolari situati dirimpetto è uguale, significa che le fondamenta sono state poste ad angolo retto.

Consigliamo di montare la serra su fondamenta solide costituite da calcestruzzo, mattoni o muratura. Se non si fosse in grado di costruire le fondamenta, incaricare una ditta specializzata. Materiale e gli utensili per la costruzione delle fondamenta non sono compresi nella fornitura.

Se ci si attiene alle istruzioni di costruzione delle fondamenta, la porta potrà essere montata non solo sulla parte anteriore, bensì in qualsiasi altra parete. La base delle fondamenta deve avere una larghezza di 210mm. Su questo lato bisogna attenersi alle lunghezze di riferimento C o D.

T trattare le fondamenta con antibirina.

**Tutti i disegni sono illustrati dalla parte interna della serra, salvo le illustrazioni, che sono rappresentate in una doppia cornicetta, le quali descrivono la parte esterna.**

### 1.PARETE POSTERIORE

**Attenzione:** Se la porta deve essere montata su questo lato della casa, staccare il profilo intermedio (7311)Ⓞ.

Spingere la guarnizione (7396) nel profilo del pavimento (7304 / 7306) e tagliarla alla lunghezza voluta (1.1)(1.2).

Collocare tutte le parti sul pavimento, introdurre le viti (7052) negli appositi canali e avvitarle. Spingere tutti gli angolari della gronda (7314 / 7316) negli angoli dei due profili angolari (7310) (1.3) (1.4) e che i profili angolari (7310) e i profili intermedi (7311) siano perfettamente alloggiati sul bordo di montaggio dell'angolare della gronda (1.9) (1.12).

Montare i profili diagonali (7312) su entrambi i lati (1.3) (1.4) (1.10) (1.11). Fissarli al profilo del fondo con le viti (7050). Rimuovere i componenti (7050) durante i lavori di vetratura (fase 7b).

### 2. ESTREMITÀ DEL FRONTONE L

**Attenzione:** Se la porta deve essere montata su questo lato della casa, staccare il profilo intermedio (7311)Ⓞ.

Inserire la guarnizione (7396) nel profilo del pavimento (7304) e tagliarla alla lunghezza voluta (2.1) (2.2).

Collocare tutte le parti sul pavimento e avvitare senza stringere, inserendo le viti (7052) negli appositi canali. Fissare il profilo della grondaia (7319) nella scanalatura dei profili angolari (7437) (2.3) (2.4) e montare quindi i profili angolari (7437) al profilo del suolo (7304) (2.5) (2.6). Montare i profili intermedi (7311) (2.7) (2.8) al profilo del suolo (7304) e al profilo della grondaia (7319) (2.9).

Fissare il profilo diagonale (7312) (2.5) (2.9) (2.10). Montarla sulla trave con le viti (7050). Rimuovere le viti (7050) durante i lavori di vetratura (fase 7b).

### 3. ESTREMITÀ DEL FRONTONE R

**Attenzione:** Se la porta deve essere montata su questo lato della casa, staccare il profilo intermedio (7311)Ⓞ.

Montare tutte le parti procedendo come nella fase 2.

#### 4a. ASSEMBLAGGIO DEGLI ELEMENTI

Spingere la guarnizione (7396) nel profilo del pavimento (7304 / 7306) e tagliarla alla lunghezza voluta (4a.1)(4a.2).

Per congiungere le pareti premontate, svitare le viti (7399) e i dadi (7053) nel profilo del suolo (7304), come illustrato nella fig. (4a.3). Sui profili angolari, inserire le teste delle viti nel canale del profilo (7310) (4a.4).

Montare le diagonali (7312) i due lati, come illustrato nella fig. (4a.5). Fissare le viti (7050) sul pavimento senza stringerle, poiché devono essere rimosse durante la vetratura nella fase 7.

Utilizzare le viti (7399) e i dadi (7053) per congiungere i profili (7319) con i profili angolari (7310) e assicurarsi che facciano pressione sul profilo del tetto (4a.6)(4a.7).

Avvitare le viti (7399) e (7053) nei profili del suolo (7304/7306) senza stringerle, come illustrato nella fig. (4a.3). Inserire le viti (7053) negli appositi canali dei profili (7437/7438), come illustrato nella fig. (4a.4).

Fissare i profili frontali (7444/7446) nella scanalatura dei profili angolari (7337/7438) utilizzando le viti (7399) e i dadi (7053).

Fissare il frontone profilato (7434/7436) ai profili angolari (7437/7438). Vedi fig. (4a.10) (4a.11).

Fissare i profili diagonali al lato frontale (7312). Non stringere le viti (7050) al profilo del suolo, perché poi devono essere nuovamente svitate durante la fase di vetratura (7B).

Allineare il telaio alle fondamenta preparate. Verificare se la serra è correttamente posizionata, quindi perforare fori da Ø6 nei componenti (7304) e (7306). Inserire il tassello (7421) e congiungere il telaio sulle fondamenta. Utilizzare a questo proposito le viti (7411), come illustrato nella fig. (4a.12).

#### 4b. TETTO

Fissare ora i profili (7439) tra i frontoni profilati (7434/7436) e i profili orizzontali (7444/7446), come illustrato nella fig. (4b.2).

Fissare ora i profili (7439) tra i frontoni profilati (7434/7436) e i profili orizzontali (7444/7446), come illustrato nella fig. (4b.2).

Fissare i profili angolari del tetto (7432/7433) ai frontoni profilati (7434/7436) e ai profili angolari (7437/7438). Utilizzare a questo proposito le lamiere angolari (7348) fig. (4b.6) Avvitare i profili centrali laterali (7346/7347) tra i profili (7319/7320) e i profili angolari del tetto (7432/7433). Montare anche in questo caso le lamiere angolari (7348), come illustrato nella fig. (4B.5).

Introdurre ora le viti (7052) negli appositi canali dei profili intermedi (7426). Applicare le rondelle (7053) e i dadi (7053) sulla grondaia e sul relativo angolo (7314/7316), fig. (4b.7)/(4b.8). Assicurarsi che il componente (7426) alloggi correttamente nell'angolo dell'angolare della grondaia e che sia perfettamente allineato al piccolo foro situato sul lato esterno della grondaia stessa (7426) e (4b.9).

Introdurlo (7052) nel canale delle viti (7426) sul frontone e collegarlo. (7434/7436) (4b.10).

Controllare se tutte le parti del telaio sono disposte ad angolo e, in caso affermativo, stringere le viti (7411/7412).

**IMPORTANTE: non spanare le viti stringendole eccessivamente!**

Montare ora l'angolo dello smusso tagliente (7331) tra tutti i profili laterali centrali (7311) e i profili intermedi del tetto (7426). Utilizzare a questo proposito le viti con testa di martello (7399), come illustrato nella fig. (7399) fig. (4b.11/4b.12)

#### 5a. FINESTRA LATERALE

Avvitare il profilo inferiore della finestra (7451) ai profili laterali (7453) e (7454) (5a.2) (5a.3). Introdurre la lastra D nelle guide (5a.5) dei profili montati (5a.4) (5a.5). Inserire i componenti (7052) e (7053) nel profilo superiore della finestra (7450) e infilarli nei componenti (7453) e (7454), tenendo conto che le teste delle viti del componente (7052) devono essere inserite nei canali delle viti, i vetri, invece, nei canali di vetratura (5a.6) (5a.7).

**Attenzione:** Se si ha scelto la vetratura da 4 mm, tagliare la guarnizione (7420) alla lunghezza voluta e inserirla nei canali di vetratura situati sul lato interno della finestra, per fissare le lastre di vetro (5a.8) (5a.9) Controllare se le finestre sono poste ad angolo retto prima di stringere le viti.

**Le viti devono essere strettamente serrate, ma non eccessivamente.**

Introdurre la guarnizione della spazzola (7457) nelle guide e nei profili laterali (7454) (7450) (7453) (5a.10) e tagliarla alla lunghezza voluta. **Attenzione:** Se la guarnizione della spazzola (7457) si sposta in modo visibile nel momento in cui la finestra viene chiusa (vedi fase 8a) è possibile accorciarla (5a.10).

Montare il supporto finestra (7090) rizzando la piastra distanziale (7413) e due viti (7349) (7349) (5a.11) (5a.12). Applicare le calotte di plastica (6070) tutte le viti (7053) (5a.13).

#### 5b. FINESTRA SUPERIORE

Montare tutte le parti procedendo come nella fase 5a.

#### 6a. PORTE SCORREVOLI

Introdurre la guarnizione della spazzola (7332) nelle guide delle porte in die Türführungen (7352) (7353) (7355) (7356) (7357) (6a.2) e tagliarle alla lunghezza voluta.

Fissare il rulli di scorrimento delle porte (7364) ai profili inferiori della porta (7355) utilizzando i distanziali (7392) su ogni lato del rullo, la vite (7393), il dispositivo di serraggio (7350) e il dado autofilettante (7360) (6a.3). Avvitare i profili inferiori della porta (7355) ai profili laterali (7357) o (7358). (6a.3) (6a.7a).

Congiungere i profili centrali della porta (7354) e (7384) alla serratura a catenaccio della cassa a due ante (7400) (7401) e (7402) utilizzando le viti (7404). Fissare i montanti laterali (7357) o (7358) con le viti (7052) e i dadi (7053) e con le viti (7405) (6a.4) (6a.5) (6a.8). **Stringere le viti (7404) e (7405), ma non eccessivamente.**

Avvitare i profili superiori della porta (7352) o (7353) ai profili laterali della porta (7357) o (7358) (6a.6) (6a.7b).

Introdurre le lastre G nelle guide della vetratura delle parti montate (6a.9).

Introdurre i componenti (7052) e (7053) nei profili laterali della porta (7356) e inserirli nei componenti (7355), (7354) o (7384) e (7352) o (7353), quindi adattare le teste delle viti (7052) nei canali delle viti e adattare la vetratura nei canali della vetratura, (6a.9) (6a.10). Inserire le guide (2271) nelle due porte (6a.6).

**Attenzione:** Se si ha scelto la vetratura da 4 mm, tagliare la guarnizione dei vetri (7420) alla lunghezza voluta e inserirla nei canali di vetratura situati sul lato interno della porta, per fissare le lastre di vetro. (6a.11).

#### 6b. TELAIO DELLA PORTA E SOGLIA

Fissare il rinforzo della porta (7362) con le viti (7390) nell'apertura della porta avvitandole al profilo del suolo (6b.1) (6b.2).

Inclinare la guida di scorrimento della porta (7351) per introdurrla nel profilo della soglia e per portarla in posizione (6b.3). Collocare l'apertura della porta al centro e avvitare alle fondamenta con le viti (2002) e i tasselli (2003) (6b.4).

Avvitare i telai laterali della porta (7361) ai profili intermedi (7311). Una volta posizionati, avvitare sulla parte superiore le viti (7052) e i dadi (7053) (6b.5) – (6b.8).

Introdurre le viti (7052) nei canali da entrambi i lati della soglia (7363) (6b.9) e collocare la soglia nella giusta posizione (6b.10)(6b.11).

## 7. PANORAMICA DELLE LASTRE DI VETRO

Prima di iniziare i lavori, smistare le lastre di vetro in base alle dimensioni dei modelli e al tipo di vetratura. Se si ha scelto la versione vitrea, le lastre E ed F saranno identiche su entrambi i lati.

**Attenzione** – il lato resistente ai raggi UV dei pannelli a camera vuota è contrassegnato da una pellicola di plastica o da una nota stampata sui bordi. **Questo lato deve volgere verso l'esterno!** Prima di effettuare il montaggio, staccare la pellicola da tutti i bordi a una distanza di ca. 2 cm. Staccare completamente la pellicola una volta inserite le lastre.

### 7a. VETRATURA DEL TETTO / GRONDAIA

Inserire la vetratura del tetto nelle guide dei profili del tetto (7a.2) (7a.3).

Quando le due lastre sono posizionate una accanto all'altra, applicare i dispositivi di arresto della vetratura (7342) o (7343) sul profilo del tetto (7a.4) (7a.5), facendoli passare attraverso i fori per mezzo delle viti autofilettanti (7349). Le viti devono poter scivolare giù e rimanere incastrati nei dispositivi di arresto summenzionati.

Accostare il profilo della grondaia (7324 / 7326) alla scanalatura dell'angolare della gronda (7a.6) e tirarlo verso il basso, affinché faccia pressione contro l'angolare stesso. Alternativamente il profilo della grondaia può essere inserito anche lateralmente. Avvitarlo dall'esterno all'angolare della gronda con le viti (7052), e dall'interno della serra, utilizzando i dadi (7053) (7a.7).

Infilare il distanziale delle lastre di vetro (7424) sull'angolare della gronda, come illustrato nella fig. (7a.9). Il distanziale delle lastre di vetro (7425) sull'angolo esterno del frontone (7a.10). Fissare il frontone (7425) con la vite (7349) (7a.10).

Fissare il profilo terminale della vetratura (7447/7449) sul frontone utilizzando le viti (7052) da introdurre nel canale delle viti dei profili intermedi del tetto stringendo il dado (7053). Fig. (7a.10). Fissare al contempo le cappe in plastica (7468 e 7469), in modo che coprano le estremità aperte dei profili angolari del tetto (7432/7433) e che vengano applicate alle cappe terminali (7447/7449). Fig. (7a.10) (7a.11)

### 7b. VETRATURA LATERALE

Scegliere ora i punti nei quali installare le due finestre laterali. **Attenzione:** non è possibile installare le finestre in un campo situato su un angolo o direttamente accanto alla porta d'ingresso. In mezzo deve trovarsi una completa sezione. In questi punti vengono installate le lastre di vetro H, anziché le lastre

di vetro A.

Inserire la guarnizione dei vetri (7382) nella scanalatura superiore (7381) e tagliarla alla lunghezza voluta.

Nelle vetrate con lastre di vetro, inserire la guarnizione dei vetri (6090) nei profili di alluminio (7.2) e tagliarle alla lunghezza voluta.

**Attenzione:** Si consiglia di tagliare a una misura leggermente più corta le guarnizioni dei vetri (6090) poggiati sulle guide orizzontali e di posizionarle centralmente. In questo modo è possibile scaricare la condensa accumulatasi all'interno.

**Attenzione:** le vetrate in policarbonato non hanno bisogno di guarnizioni di gomma.

Inserendo le teste delle viti (7050) nelle diverse guide del listello di copertura è possibile invetriare la serra con lastre da ≤ 4 mm, 10 mm o 16 mm di spessore. (7B.2). Inserire in ogni listello di copertura le viti (7050), come illustrato al capitolo (7b.3).

Nelle vetrate da 10 mm bisogna introdurre 1 distanziale (7407) al centro/sopra ogni piastra A (7b.4). Inserire ogni lastra di vetro A Nel telaio e avvitare i listelli di copertura verticali (7372) o (7373) senza stringere i dadi (7053).

Sollevarla la lastra A di 15 mm e congiungerla all'altra lastra utilizzando i listelli di copertura (7381).

**Attenzione:** Rimuovere le viti (7050) utilizzate per tenere fissati i profili diagonali (vedi fase 1, 2, 3 e 4a) e rimontarle (7b.8).

Per le vetrate con spessore di 10 mm, introdurre 4 distanziali (7409) nei componenti (7319), (7320) e (7444 / 7446) (2 distanziali per ogni lastra E, F e J) (7b.5) (7b.6). Aggiustare le lastre E, F e J. Montare i listelli di copertura (7442) o (7443) e installare i componenti (7379) / (7470) o (7380) / (7471), senza stringerli.

**Importante:** Nelle coperture in policarbonato utilizzare i distanziali (7467) sotto le cappe terminali (7468) o (7469), a seconda dello spessore della vetratura. In spessori da 10mm utilizzare un componente (7467), in quelli da 16mm, due componenti (7467). Le cappe (7442) e (7443) esercitano pressione sulle cappe terminali (7468) e (7469) e le fissano.

**Stringere le viti, ma non eccessivamente.**

**Attenzione:** Il miglior modo per montare i listelli di copertura verticali consiste nell'inserire nel foro dapprima la vite superiore, poi quella centrale e infine la vite inferiore. Assicurarsi che i listelli di copertura rimangano in contatto con il profilo del suolo.

## 8a. MONTAGGIO DELLA FINESTRA LATERALE

Rimuovere i dadi (7053) dai listelli di copertura verticali (7372) situati sui profili centrali (7311) accanto all'apertura della finestra. Inserire i componenti (7053) e (7399) nei fori inferiori dei telai della finestra (7311) al di sopra della lastra H (8a.2 e rimontare la cappa di plastica (7053) (8a.3) (8a.4).

Introdurre i componenti (7053) e (7399) nel foro inferiore del profilo del davanzale (7452). Ruotare il profilo in modo che chiuda la lastra di vetro H e il dado centrale visibile da entrambe i lati (7452)(8a.5). Fissare nuovamente il dado centrale visibile (7053) (8a.6).

Avvitare la cerniera della finestra (7419) con le viti (7088) ai telai (7455) e (7456) (8a.7). **Attenzione:** Utilizzare solo gli appositi fori nella cerniera.

Fissare la finestra premontata (vedi fase 5a) ai profili laterali con cerniere (7419) utilizzando le viti (7088). **Attenzione:** Utilizzare solo gli appositi fori nella cerniera.

Chiudere la finestra e assicurarsi che chiuda sul davanzale (7452) senza entrare in contatto con la superficie. L'altezza della finestra può essere aggiustata con l'ausilio dei fori nella cerniera (7419). Se la finestra è stata aggiustata correttamente, fissarla avvitando altre viti nei rimanenti fori.

Montare i perni a scatto (6056) sul profilo del davanzale (7452) utilizzando le viti (7403) (8a.9). Piazzarle, allineando i fori lunghi nel supporto finestra (7090) quando questa è chiusa (8a.10).

Se la finestra è chiusa, innestare il relativo supporto (7090) con i due perni a scatto (6056), per chiuderla. (8a.10).

**Attenzione:** Se la guarnizione della spazzola (7457) nel profilo superiore della finestra (7450) si sposta durante la fase di chiusura della finestra, potrà essere accorciata. Per maggiori dettagli vedi capitolo (5a.10).

Procedere nello stesso modo per montare le altre finestre.

## 8b. MONTAGGIO DELLA FINESTRA SUPERIORE

Rimuovere i dadi (7053) delle viti e dei listelli di vetratura (7440) e (7441) dai profili angolari (7437/7438) e dai profili intermedi (7439) situati a destra e a sinistra dell'apertura della finestra. Fig. (8b.1).

Infilare i profili laterali delle finestre (7465) e (7466) sulle viti preparate (8b.1)(8b.2) e fissare nuovamente i listelli di vetratura con il dado (7053) (8b.3) e (8b.4).

Avvitare, senza stringere, i componenti (7053)

e (7399) nei fori del profilo del davanzale inferiore (7462). Spostarli in modo che la testa del componente (7399) combaci con il canale delle viti del profilo verticale (7444/7446). Come illustrato nella fig. (8b.5 e 8b.6).

Fissare la cerniera della finestra (7419) con la vite (7088). Avvitare ai telai laterali dei componenti (7465) e (7466) come illustrato nella fig. (8b.7).

**Importante:** Utilizzare solo le asole preparate nella cerniera.

Fissare ora le finestre preparate (sezione 5B) tra le due cerniere delle finestre (7419) utilizzando le viti (7088)

**Importante:** Utilizzare solo le asole preparate nella cerniera.

Chiudere ora la finestra e assicurarsi che chiuda sul davanzale (7462) senza entrare in contatto con la superficie. L'altezza della finestra può essere adattata con le asole situate nelle cerniere (7419). Se la finestra chiude correttamente, stringere a fondo le altre viti.

Avvitare ora gli eccentrici della finestra (6056) al davanzale (7462), utilizzando le viti (7403) fig. (8b.9). Posizionare ora correttamente la leva della finestra (7090), con l'ausilio del canale delle viti, tenendo la finestra chiusa. (8b.10). Quando la finestra è chiusa, la leva (7090) deve trovarsi su entrambi gli eccentrici (6056) e chiudere così la finestra. (8b.10)

**Importante:** Se la guarnizione delle spazzole (7457) sporge sugli angoli del componente (7460) nel momento in cui la finestra è chiusa, tagliarla alla misura voluta. Fig. (5b.10)

**(11500)** ripetere questa operazione anche per le altre finestre.

## 9. LE ULTIME OPERAZIONI

Introdurre i raccordi (7370) e (7371) nelle due estremità del profilo della grondaia (7324 / 7326) (9.1) (9.2).

**Attenzione:** Può essere utile tirare via delicatamente il profilo della grondaia dal bordo superiore della serra, in modo da ingrandire l'apertura della plastica.

Inserire le viti con testa di martello (1412) nel relativo canale situato all'estremità inferiore del profilo angolare (7310) e avvitare dai due lati i componenti (1405) e (1409) utilizzando il dado di alluminio (1002) (9.3). Montare il gomito (1402) situato all'estremità del tubo di scarico della pioggia (1415) (9.6) e collegarlo ai raccordi della grondaia (7370) o (7371) (9.9). Tendere la graffa (1403) che avvolge il pluviale e collegarla con i componenti (1409) (9.4). Inserire la vite (1006) per fissare il tubo di scarico della pioggia (9.5).

Installare la soglia (7359) nell'apertura della porta. Collegarla ai componenti (7444/7446),

inserendo le viti (7052) nel relativo canale situato sul lato esterno dei profili e avvitando i dadi (7053). Fig. 9.7

Inserire dall'alto le viti (7352) nelle due estremità del profilo dell'elemento di guida della porta (7359), quindi stringerle, avvitando dal di sotto i dadi (3002), per limitare l'apertura della porta. (9.7) (9.8).

Inserire gli elementi scorrevoli in plastica della porta (2771) nel profilo della porta (7359) (9.9) e disporre le rotelle sotto la guida di corsa della porta (7351) (9.10b). Agganciare i fermaporta (7350) sotto al nasello (7351) e stringere le viti delle rotelle della porta (7360) (9.10b).

Applicare le calotte di plastica (6070) su tutti i dadi disponibili (7053) della serra (9.11).

## LAVORI FINALI

Opzionalmente è anche possibile sigillare gli angoli della serra con sigillante siliconico a reticolazione neutra. Il silicone non è compreso nel volume di consegna.

Applicare dall'interno il presente adesivo di avvertimento.

Controllare ogni 2 settimane dopo il montaggio se le viti sono strette a fondo.

Il vostro rivenditore dispone di un assortimento completo di accessori per serre. Contattatelo.

## INFORMAZIONI DI SICUREZZA

In presenza di vento forte si raccomanda di mantenere chiuse tutte le aperture e la porta. Rimuovere tempestivamente la neve dai tetti delle serre in modo da evitare carichi di neve pericolosi. Riscaldare la serra in inverno.

## NOTE

Per garantire la protezione completa della serra vi consigliamo di includerla nella vostra polizza assicurativa domestica. Osservare eventuali prescrizioni edilizie locali vigenti.

Dopo aver completato il montaggio della serra, incollare l'adesivo di identificazione fornito in dotazione sul corpo della ruota (7353) o (7353). La denominazione del tipo è richiesta per specificare eventuali pezzi di ricambio da ordinare.

Conservare sempre le istruzioni per il montaggio!

Tutte le misure specificate sono valori approssimativi. Con riserva di modifiche.

## 1. PROSIMO, DA TA NAVODILA ZA MONTAŽO PRED ZAČETKOM POSTAVITVE V CELOTI PREBERETE!

- Pri rokovanju s steklom, votlimi ploščami ali deli rastlinjaka morate vedno nositi zaščitna očala, rokavice, zaščitne rokavice in zaščito za glavo, ker se lahko na ostrih robovih poškodujete. Zlomljeno steklo predstavlja varnostno tveganje. Odstranite ga z zahtevano previdnostjo.
- Rastlinjak, ki ste ga kupili, je zasnovan za gojenje rastlin in ga smete uporabljati izključno za ta namen. V primeru drugačne uporabe je vsakršna odgovornost izključena.
- Za montažo tega rastlinjaka sta potrebni dve osebi.
- Pri uporabi stopenjske lestve mora vedno druga oseba zavarovati lestev.
- Če imate pri montaži rastlinjaka ali vstavljanju zasteklitve težave, stopite v stik s svojim prodajalcem – **Ne ravnajte na silo!**
- Rastlinjak mora biti zasidran.

## Opis postavitve

### IZBIRA LEGE

Poiščite najbolj sončno lego, ki pa je hkrati zaščiten pred vetrom.

### POMEMBNO

Preden začnete z montažo vašega rastlinjaka, preverite, ali so na voljo vsi deli, ki so navedeni na seznamu. Da boste to lažje ugotovili, vzemite posamezne pakete iz embalaže. Pomembno je, da odprtih paketov ne pomešate. Če kljub najskrbnejšemu pregledu kaj manjka, stopite v stik s prodajalcem.

**Pozor** – Stran votlih plošč, ki je odporna na UV-žarke, je označena s plastično folijo ali natisnjениm opozorilom na robovih. **Ta stran mora biti usmerjena navzven!**

Za temeljito zasteklitev rastlinjaka priporočamo nevtralen silikon, kot je prikazano na slikah (4b.7), (4b.8), (7a.6) in (7a.8). Silikon je priložen.

### POTREBNO ORODJE

Izvijač (za zarezo in križni izvijač PH2)

Gumijasto kladivo

2 lestvi (1.80 m)

Vijačni ključ 10 mm

Obročasti/viličasti ključ

Nož

Zložljivi meter

Vodna tehnična

Akumulatorski vijačnik z nastavljivim vrtilnim momentom

### VZDRŽEVANJE

Rastlinjak občasno temeljito operite z blago, pH nevtralno čistilno raztopino. Steklo lahko očistite z blagim čistilnim sredstvom, ki ni agresivno do plastičnih delov, aluminijastega okvirja in vzmetnih sponk za steklo. Redno čistite vodilo vrat.

### 0. TEMELJ

**Pomembno!** Temelj mora biti absolutno pod pravim kotom in raven. To dosežete z uporabo vodne tehtnice in kotnika.

**Pozor:** Če je razdalja med dvema nasproti ležečima kotnikoma enaka, je temelj pod pravim kotom.

Za postavitev rastlinjaka priporočamo soliden temelj iz betona, zidakov ali v zidani izvedbi. Če s konstrukcijo takšnega temelja nimate izkušenj, raje pooblastite podjetje, ki je specializirano za ta dela. Material in orodje za izdelavo priporočenega temelja ni vsebovano v dobavi.

Če se držite priporočene izdelave temelja, lahko vrata po želji montirate ne le na sprednji strani, temveč tudi v vsaki drugi steni. V tem primeru mora biti temelj na naležni površini širok 210mm. Glede tega se kot reference držite dolžin C ali D.

Temelj mora biti postavljen zaščiten pred zmrzaljo.

**Vse risbe so prikazane z notranje strani rastlinjaka, z izjemo slik, ki so prikazane v dvojnem okvirju. Te prikazujejo pogled od zunaj.**

### 1. ZADNJA STENA

**Pozor:** Če naj se vrata vstavijo na tej strani rastlinjaka, odstranite vmesni profil (7311)Ⓣ.

Pritisnite tesnilo (7396) v talni profil (7304 / 7306) in ga odrežite na ustrezno dolžino (1.1) (1.2).

Vse dele položite na tla, vstavite vijake (7052) v kanale za vijake in jih na rahlo privijte. Pazite, da so kapni kotniki (7314 / 7316) potisnjeni v vogale obeh vogalnih profilov (7310) (1.3) (1.4) ter da so vogalni profili

(7310) in vmesni profili (7311) nameščeni natančno na montažni rob kapnega kotnika (1.9) (1.12).

Montirajte diagonalne profile (7312) na obeh straneh (1.3) (1.4) (1.10) (1.11). Na rahlo jih z vijaki pritrdite na talni profil (7050). (7050) se med zastekljevanjem (korak 7b) odstrani.

### 2. ZAKLJUČEK ZATREPA L

**Pozor:** Če naj se vrata vstavijo na tej strani rastlinjaka, odstranite vmesni profil (7311)Ⓣ.

Pritisnite tesnilo (7396) v talni profil (7304) in ga odrežite na ustrezno dolžino (2.1) (2.2).

Vse dele položite na tla in jih na rahlo privijte, tako da vijake (7052) vstavite v kanale za vijake. Kapni profil (7319) pritrdite v odprte vogalne profile (7437) (2.3) (2.4), nato pa vogalne profile (7437) montirajte na talni profil (7304) (2.5) (2.6). Vmesne profile (7311) (2.7) (2.8) montirajte na talni profil (7304) in kapni profil (7319) (2.9), tako da se profili stikajo.

Pritrdite diagonalni profil (7312) (2.5) (2.9) (2.10). Na pragu ga ohlapno montirajte z vijaki (7050). Vijaki (7050) se med zastekljevanjem odstranijo (korak 7b).

### 3. ZAKLJUČEK ZATREPA D

**Pozor:** Če naj se vrata vstavijo na tej strani rastlinjaka, odstranite vmesni profil (7311)Ⓣ.

Vse dele montirajte, kot je opisano v koraku 2.

### 4a. POVEZOVANJE ELEMENTOV

Pritisnite tesnilo (7396) v talni profil (7304/ 7306) in ga odrežite na ustrezno dolžino (4a.1) (4a.2).

Da predhodno montirane stene spojite med seboj, odvijte vijake (7399) in matice (7053) v talnem profilu (7304), kot je prikazano na sliki (4a.3). Na nižjih vogalnih profilih vstavite glave vijakov v kanal za vijake na profilu (7310) (4a.4).

Montirajte diagonale (7312) na obeh straneh, kot je prikazano na sliki (4a.5). Na tleh vijak (7050) pritrdite le na rahlo, ker ga je pri zastekljevanju v koraku 7 treba še enkrat odstraniti.

Uporabite vijake (7399) in matice (7053), da profile (7319) spojite z vogalnimi profili (7310), in zagotovite, da pritiskajo v smeri strešnega profila (4a.6)(4a.7).

Vijake (7399) in (7053) na rahlo montirajte v talne profile (7304/7306), kot je prikazano na sliki (4a.3). Vstavite vijake (7053) v kanale za vijake na profilih (7437/7438), kot je prikazano na sliki (4a.4).

Sprednje profile (7444/7446) pritrdite v odprtine vogalnih profilov (7337/7438), pri tem uporabite vijake (7399) in matice (7053).

Profil zatrepa (7434/7436) pritrdite na vogalne profile (7437/7438). Glejte sliko (4a.10)(4a.11).

Pritrdite diagonalne profile na sprednji strani (7312). Na talnem profilu vijakov ne zategnite tesno (7050), ker jih je pri postopku zastekljevanja (7B) treba spet odvit.

Zdaj okvir naravnajte na pripravljenem temelju. Preverite, ali je rastlinjak v ravni liniji in izvrtajte izvrtini Ø6 skozi predhodno pripravljene luknji (7304) in (7306). Vstavite vložke (7421) in okvir na rahlo privijte na temelj. V ta namen uporabite vijake (7411), kot je prikazano na sliki (4a.12).

#### 4b. STREHA

Zdaj pritrdite profile (7439) med profili zatrepa (7434/7436) in vodoravnimi profili (7444/7446), kot je prikazano na sliki (4b.2).

Zdaj pritrdite profile (7439) med profili zatrepa (7434/7436) in vodoravnimi profili (7444/7446), kot je prikazano na sliki (4b.2).

Pritrdite strešne vogalne profile (7432/7433) na profile zatrepa (7434/7436) in vogalne profile (7437/7438), pri tem uporabite vogalne pločevine (7348), slika (4b.6).

Zdaj privijte stranske srednje profile (7346/7347) med profile (7319/7320) in strešne vogalne profile (7432/7433). Tudi tukaj uporabite na sliki (4B.5) prikazane vogalne pločevine (7348).

Zdaj vstavite vijake (7052) v kanale za vijake na vmesnih profilih (7426). Na kapi in spodaj na kapnem kotniku (7314/7316) uporabite podložke (7053) in matice (7053), slika (4b.7)/(4b.8). Prepričajte se, da se (7426) natančno prilega vogalu kapnega kotnika in majhni luknji na zunanji strani kapi (7426) (4b.9).

Vstavite (7052) v kanal za vijake (7426) na zatrepu in spojite. (7434/7436) (4b.10).

Preverite okvir, če je vse pod pravim kotom, in če je, zategnite vse vijake (7411/7412).

**POMEMBNO: vijakov ne zategnite prekomerno!**

Zdaj montirajte vogalne kotnike (7331) med vsak stranski srednji profil (7311) in strešni vmesni profil (7426). V ta namen uporabite vijake s kladvasto glavo (7399), kot je prikazano na sliki (4b.11/4b.12).

#### 5a. STRANSKO OKNO

Spodnji okenski profil (7451) privijte na stranska profila (7453) in (7454) (5a.2) (5a.3). Ploščo D vstavite v ustrezna vodila (5a.5) montiranih profilov (5a.4) (5a.5). (7052) in (7053) rahlo vstavite v zgornji okenski profil (7450) in potisnite na (7453) in (7454), pri čemer je treba glave vijakov (7052) vstaviti v kanale vijakov in zasteklitev v kanale za zasteklitev (5a.6) (5a.7).

**Pozor:** Če ste izbrali zasteklitev debeline 4 mm, tesnilo (7420) ustrezno odrežite in ga vtisnite v kanale za zasteklitev na notranji strani okna, da steklo fiksirate (5a.8) (5a.9). Preverite, ali je okno pod pravim kotom, preden trdno privijate vse vijake.

**Vijaki morajo biti trdno, vendar ne pretesno priviti.**

Krtačno tesnilo (7457) vstavite po vsej dolžini zgoraj v vodila in stranske profile (7454) (7450) (7453) (5a.10) in ga odrežite na ustrezno dolžino. Pozor: Če se krtačno tesnilo (7457) vidno zamakne, ko okno zaprete (glejte korak 8a), ga lahko skrajšate (5a.10).

Montirajte podpornik za okno (7090) s pomočjo distančnika (7413) in dveh vijakov (7349) (5a.11) (5a.12). Na vse vijake (7053) natakните plastične kape (6070) (5a.13).

#### 5b. ZGORNJE OKNO

Vse dele montirajte, kot je opisano v koraku 5a.

#### 6a. DRSNA VRATA

Krtačno tesnilo (7332) vstavite v vodila vrat (7352) (7353) (7355) (7356) (7357) (6a.2) in jih odrežite na ustrezno dolžino.

Tekalna kolesca vrat (7364) na rahlo pritrdite na spodnji vratni profil (7355) z distančniki (7392) na vsaki strani kolesca, vijakom (7393), držalom (7350) in samorezno matico (7360) (6a.3). Spodnje vratne profile (7355) privijte na stranska profila (7357) ali (7358). (6a.3) (6a.7a).

Srednja vratna profila (7354) in (7384) s pomočjo vijakov (7404) spojite z dvokrilno ključavnico z zapahom (7400) (7401) in (7402). Stranske palice (7357) ali (7358) pritrdite z vijaki (7052), maticami (7053) in

vijaki (7405) (6a.4) (6a.5) (6a.8). **Vijaki (7404) in (7405) morajo biti trdno, vendar ne pretesno priviti.**

Zgornje vratne profile (7352) ali (7353) privijte na stranske vratne profile (7357) ali (7358) (6a.6) (6a.7b).

Plošče G potisnite v vodila za zasteklitev montiranih delov (6a.9).

(7052) in (7053) na rahlo vstavite v stranske vratne profile (7356) in potisnite na (7355), (7354) ali (7384) in (7352) ali (7353) ter glave vijakov vstavite (7052) v kanale vijakov ter zasteklitev (6a.9) (6a.10) prilagodite kanalom za zasteklitev. Vstavite vratna vodila (2271) zgoraj v obojna vrata (6a.6).

**Pozor:** Če ste izbrali zasteklitev debeline 4 mm, tesnilo za steklo (7420) ustrezno odrežite in ga vtisnite v kanale za zasteklitev na notranji strani vrat, da steklo fiksirate. (6a.11).

#### 6b. OKVIR VRAT IN PRAG VRAT

Ojačitev vrat (7362) s pomočjo vijakov (7390) pritrdite v odprtino za vrata na talnem profilu (6b.1) (6b.2).

Vodilo vrat (7351) nagnite, da ga lahko vstavite v profil praga in namestite v pravilen položaj (6b.3). Namestite ga na sredino odprtine za vrata in ga s stenskimi vložki (2003) in vijaki (2002) privijte na temelj (6b.4).

Stranske okvirje vrat (7361) privijte na vmesne profile (7311). Ko so nameščeni v pravilen položaj, jih zgoraj privijte z vijaki (7052) in maticami (7053) (6b.5) – (6b.8).

Spodaj vstavite vijake (7052) v kanale na obeh straneh praga vrat (7363) (6b.9) in prag vrat potisnite na pravo mesto (6b.10)(6b.11).

#### 7. PREGLED STEKLENIH DELOV

Preden začnete, zasteklitvene elemente razvrstite glede na velikost modela in vrsto zasteklitve. Če ste izbrali steklo, so plošče E in F na obeh straneh enake.

**Pozor** – Stran votlih plošč, ki je odporna na UV-žarke, je označena s plastično folijo ali natisnjениm opozorilom na robovih. **Ta stran mora biti usmerjena navzven.** Pred postavitvijo folijo na vseh robovih odlepite za pribl. 2 cm. Ko so vse plošče vstavljene, popolnoma odstranite folijo z vseh plošč.

#### 7a. ZASTEKLITEV STREHE / KAPI

Zasteklitev strehe vstavite v vodila strešnih profilov (7a.2) (7a.3). Ko sta dve sosednji plošči v pravilnem položaju, namestite držala zasteklitve (7342) ali (7343) skozi predhodno izvrtane luknje s samoreznimi vijaki (7349) na vmesni strešni

profil (7a.4) (7a.5). Plošče se morajo pomakniti navzdol in obstati na držalnih.

Kapni profil (7324 / 7326) nastavite na utor kapnega kotnika (7a.6) in ga potegnite navzdol, da ga pritisnete ob kapni kotnik. Kapni profil lahko tudi vstavite od strani. Z vijaki (7052) od zunaj in maticami (7053) z notranje strani rastlinjaka ga privijte na kapni kotnik (7a.7).

Potisnite distančnik za steklo (7424), kot je prikazano na sliki (7a.9), na kapni kotnik in distančnik za steklo (7425) prek zunanega vogala zatrep (7a.10). Za pritrditev zatrep (7425) uporabite vijak (7349) (7a.10).

Za pritrditev zaključnega profila zasteklitve (7447/7449) na zatrep uporabite vijake (7052), ki jih potisnete v kanal za vijake vmesnih strešnih profilov in privijete z matico (7053). Slika (7a.10). Hkrati pritrdite plastične kape (7468 in 7469), tako da so odprti zaključki vogalnih strešnih profilov (7432/7433) pokriti in se prilegajo pod zaključne kape (7447/7449). Slika (7a.10)(7a.11)

## 7b. ZASTEKLITEV STRANIC

Zdaj se odločite, v katera polja boste vgradili obe stranski okni. Pozor: Oken ni mogoče namestiti v polje na vogalu ali neposredno ob vrata. Vmes mora biti celotna sekcija. V ta polja se namesto steklenih plošč A vstavijo steklene plošče H.

Tesnilo za steklo (7382) vtisnite v vsak zgornji utor (7381) in ga odrežite na ustrezno dolžino.

Pri zasteklitvi s steklom pritisnite tesnilo za steklo (6090) na aluminijaste profile (7b.2) in ga odrežite na ustrezno dolžino.

**Pozor:** Priporočamo, da tesnila za steklo (6090) na vseh horizontalnih vodilih za steklo odrežete na nekoliko krajšo dolžino in jih namestite na sredino. Tako lahko kondenzna voda, ki se nabira v notranjosti, odteče.

**Pozor:** Pri polikarbonatni zasteklitvi ne potrebujete tesnil.

Z vstavitvijo glav vijakov (7050) v različna vodila v pokrivni letvi se lahko rastlinjak zastekli s ploščami debeline  $\leq 4$  mm, 10 mm ali 16 mm. (7b.2). V vsako pokrivno letvo vstavite vijake (7050), kot je prikazano v (7b.3).

Za zasteklitev debeline 10 mm vstavite 1 distančnik (7407) v sredino/nad vsako ploščo A (7b.4). Vsako stekleno ploščo A potisnite v okvir in vertikalne pokrivne letve (7372) ali (7373) na rahlo privijte z maticami (7053).

Ploščo A 15 mm visoko dvignite in jo na rahlo spojite s pokrivnimi lestvami (7381) pod ploščo.

**Pozor:** Vijake (7050), ki so bili uporabljeni za držanje diagonalnih profilov v koraku 1, 2, 3 in

4a, morate zdaj odstraniti in na novo montirati (7b.8).

Za zasteklitev debeline 10 mm vstavite 4 distančnike (7409) na (7319), (7320) in (7444 / 7446) (2 distančnika za vsako ploščo E, F in J) (7b.5) (7b.6). Plošče E, F in J natančno naravnajte. Montirajte pokrivne letve (7442) ali (7443) in nato na rahlo vgradite (7379) / (7470) ali (7380) / (7471).

**Pomembno:** Pri strehi iz polikarbonatnih plošč uporabite distančne tulce (7467) pod zaključnimi kapami (7468) ali (7469) odvisno od debeline zasteklitve. Pri 10mm uporabite en kos (7467), pri 16mm pa dva (7467). Kape (7442) in (7443) delujejo s pritiskom na držala zaključnih kap (7468) in (7469) in jih fiksirajo.

**Vijaki morajo biti trdno, vendar ne pretesno priviti.**

**Pozor:** Vertikalne pokrivne letve lahko najboljše montirate tako, če najprej v luknjo vstavite zgornji vijak, nato srednji in nazadnje spodnji vijak. Zagotovite, da ostanejo pokrivne letve v stiku s talnim profilom.

## 8a. MONTAŽA STRANSKEGA OKNA

Odstranite matice (7053) z vertikalnih pokrivnih letev (7372) na srednjih profilih (7311) poleg odprtine za okno. Potisnite (7053) in (7399) na rahlo v spodnje luknje stranskih okenskih okvirjev (7311) nad stekleno ploščo H (8a.2) in na novo montirajte plastično kapo (7053) (8a.3) (8a.4).

Potisnite (7053) v (7399) spodnjo luknjo profila okenske police (7452). Profil za toliko obrnite, da pokrije stekleno ploščo H in sredinsko vidno matico na obeh straneh (7452) (8a.5). Sredinski vidni matici (7053) ponovno pritrdite (8a.6).

Pritrdite tečaj okna (7419) z vijaki (7088) na okenski okvir (7455) in (7456) (8a.7).

**Pozor:** Uporabite izključno za to predvidene luknje v tečaju.

Pritrdite predhodno montirano okno (glejte korak 5a) s pomočjo vijakov (7088) na stranske profile s tečaji okna (7419) **Pozor:** Uporabite izključno za to predvidene luknje v tečaju.

Okno zaprite in zagotovite, da se zapira nad profilom okenske police (7452) brez stika. Višina okna se lahko natančno nastavi s pomočjo lukenj v tečaju (7419). Ko je okno pravilno nastavljeno, ga fiksirajte, tako da privijete dodatne vijake v ostale luknje.

Montirajte zaskočne zatiče (6056) na profil okenske police (7452) z vijaki (7403) (8a.9). Namestite jih tako, da so z dolgimi luknjami v podporniku za okno (7090), ko je okno zaprto (8a.10).

Ko je okno zaprto, se lahko podpornik za okno

(7090) fiksira v obeh zaskočnih zatičih (6056), da je okno tesno zaprto. (8a.10).

**Pozor:** Če se krtačno tesnilo (7457) v zgornjem okenskem profilu (7450) zamakne, ko okno zaprete, ga lahko ustrezno skrajšate; za podrobnosti glejte (5a.10).

Drugo okno montirate na enak način.

## 8b. MONTAŽA ZGORNJEGA OKNA

Odstranite matice (7053) vijakov, letev zasteklitve (7440) in (7441) z vogalnih profilov (7437/7438) in vmesnih profilov (7439) desno in levo od odprtine za okno. Slika (8b.1). Stranske okenske profile (7465) in (7466) zdaj nataknete na pripravljene vijake (8b.1)(8b.2) in nato ponovno pritrdite letve zasteklitve z matico (7053) (8b.3) in (8b.4).

Na rahlo privijte (7053) in (7399) v luknje spodnjega okenskega profila (7462). S pomikanjem omogočite, da se glava (7399) prilega kanalu za vijake vertikalnega profila (7444/7446). Kot je prikazano na sliki (8b.5 in 8b.6).

Uporabite vijak (7088) za pritrditev tečaja okna (7419). Privijte ga na stranska okvirja (7465) in (7466), kot na sliki (8b.7).

**Pomembno:** Uporabite samo pripravljene podolgovate luknje v tečaju.

Pripravljena okna (sekcija 5B) pritrdite med dva tečaja za okno (7419) z vijaki (7088).

**Pomembno:** Uporabite samo pripravljene podolgovate luknje v tečaju.

Okno zaprite in zagotovite, da se zapira nad profilom okenske police (7462), brez da se je dotakne. Višina okna se lahko prilagodi s pomočjo dolgih lukenj v tečaju (7419). Ko se pravilno zapira, tesno privijte ostale vijake.

Zdaj zaskočne zatiče (6056) z vijaki (7403) privijte na okensko polico (7462), slika (8b.9). Prilagodite pravilen položaj ročice okna (7090) s pomočjo kanala za vijake pri zaprtem oknu. (8b.10). Ko je okno zaprto, mora ročica okna (7090) nalegati na obeh zaskočnih zatičih (6056) in s tem okno zapreti. (8b.10)

**Pomembno:** Če krtačno tesnilo (7457) sega čez vogale (7460) pri zaprtem oknu, ga lahko ustrezno odrežete. Slika (5b.10)

(11500) ponovite za drugo okno.

## 9. ZAKLJUČNA DELA

Priljučna kosa za žleb (7370) in (7371) potisnite v oba konca kapnega profila (7324 / 7326) (9.1) (9.2).

**Pozor:** V pomoč vam je lahko, če kapni profil na zgornjem robu previdno potisnete stran od rastlinjaka, tako da je odprtina za plastiko večja..

Vijake s klavdivasto glavo (1412) potisnite v



kanal za vijake na spodnjem koncu vogalnega profila (7310) in privijte (1405) in (1409) z aluminijasto matico (1002) na obeh straneh (9.3). Montirajte koleno (1402) na koncu odvodne cevi za deževnico (1415) (9.6) in spojite s priključnima kosoma za žleb (7370) ali (7371) (9.9). Sponko za padno cev (1403) napnite okoli padne cevi in spojite z (1409) (9.4). Vstavite vijak (1006), da padno cev fiksirate (9.5).

Prag vrat (7359) montirajte v odprtino za vrata. Spojite ga z (7444/7446), tako da potisnete vijake (7052) v kanal za vijake na zunanji strani profilov in ga pritrdite z maticami (7053). Slika 9.7

Na obeh koncih profila vodila za vrata (7359) od zgoraj vstavite vijake (7352) in jih od spodaj pritrdite z maticami (3002), da omejite odprtino za vrata. (9.7) (9.8).

Plastično vodilo vrat (2771) vstavite v profil vodila za vrata (7359) (9.9) (9.10a), nato pa namestite kolesca spodaj na vodilo vrat (7351) (9.10b). Vtaknite držalo vrat (7350) pod element (7351) in zategnite vijake kolesc za vrata (7360) (9.10b).

Na vse vidne matice (7053) v rastlinjaku natakните plastične kape (6070) (9.11).

#### **ZAKLJUČNA DELA**

Če želite, lahko rastlinjak tudi na vogalih zatesnite z nevtralnimi silikonom. Silikon za ta namen ni vsebovan v dobavi.

Priloženo nalepko z opozorilom nalepite z notranje strani.

Po 2 tednih po postavitvi preverite, ali so vsi vijaki trdno pritrjeni.

Vaš prodajalec ima na voljo bogato izbiro opreme za vaš rastlinjak. Povprašajte pri njem.

#### **VARNOSTNA NAVODILA**

Ob močnem vetru morajo biti vse odprtine in vrata zaprta. S streh rastlinjakov pravočasno očistite sneg, da ne pride do nevarne obremenitve s snegom. Pozimi rastlinjak ogrevajte.

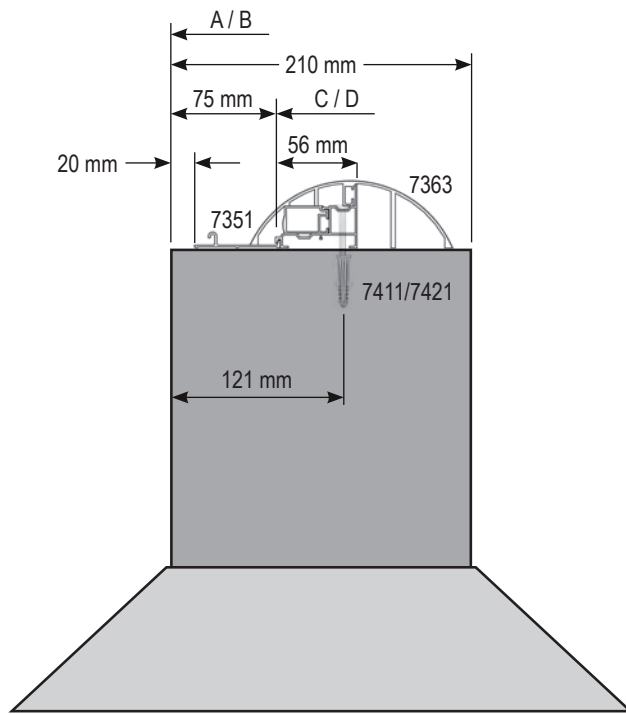
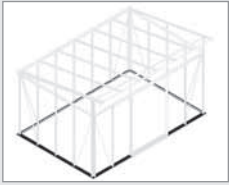
#### **OPOMBE**

Za popolno zaščito rastlinjaka vam priporočamo, da ga vključite v zavarovanje hiše. Upoštevajte morebitne veljavne lokalne gradbene predpise.

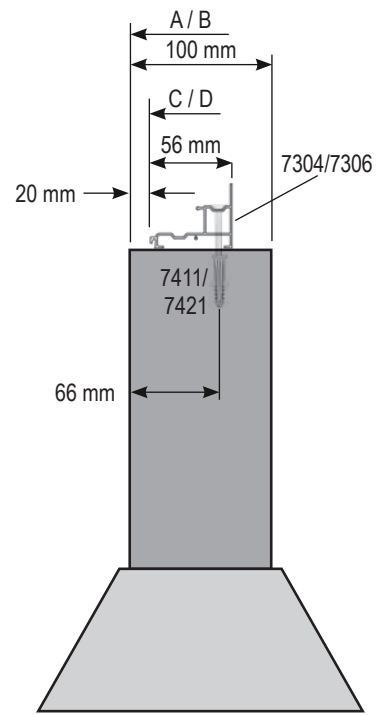
Priloženo tipsko nalepko po opravljeni montaži rastlinjaka nalepite na ohišje koles (7352) ali (7353). Oznako tipa potrebujete za navedbo pri naročilu morebitnih potrebnih nadomestnih delov.

Prosimo, da navodila za montažo shranite!

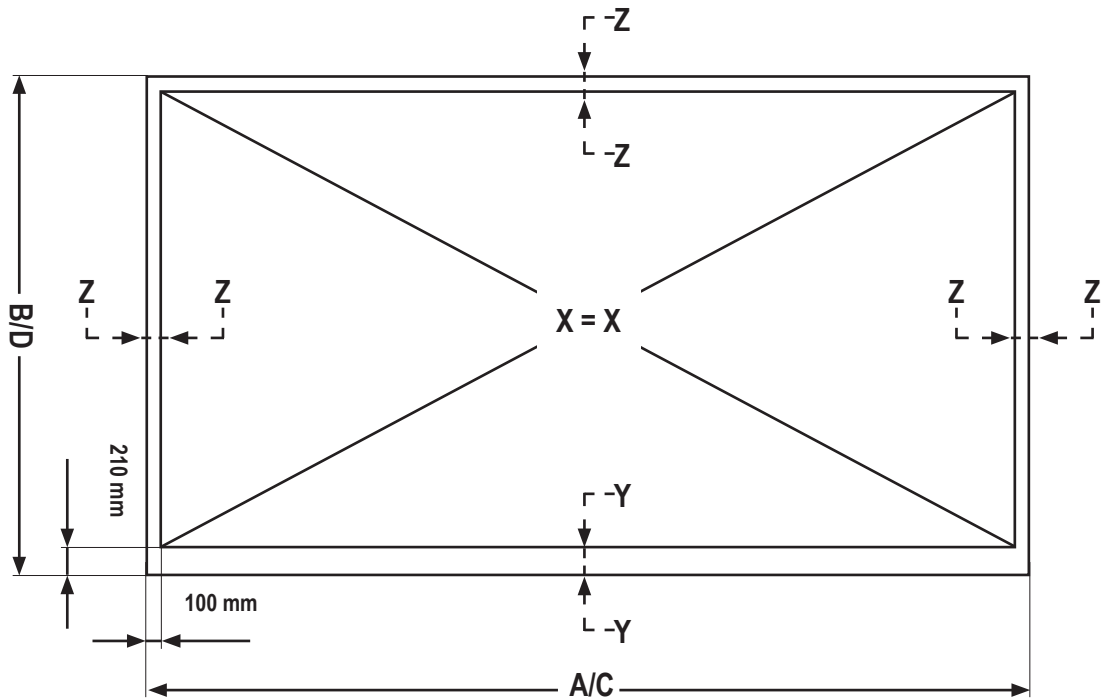
Vse navedene mere so približne mere. Pridržujemo si pravico do sprememb.



Y - Y



Z - Z



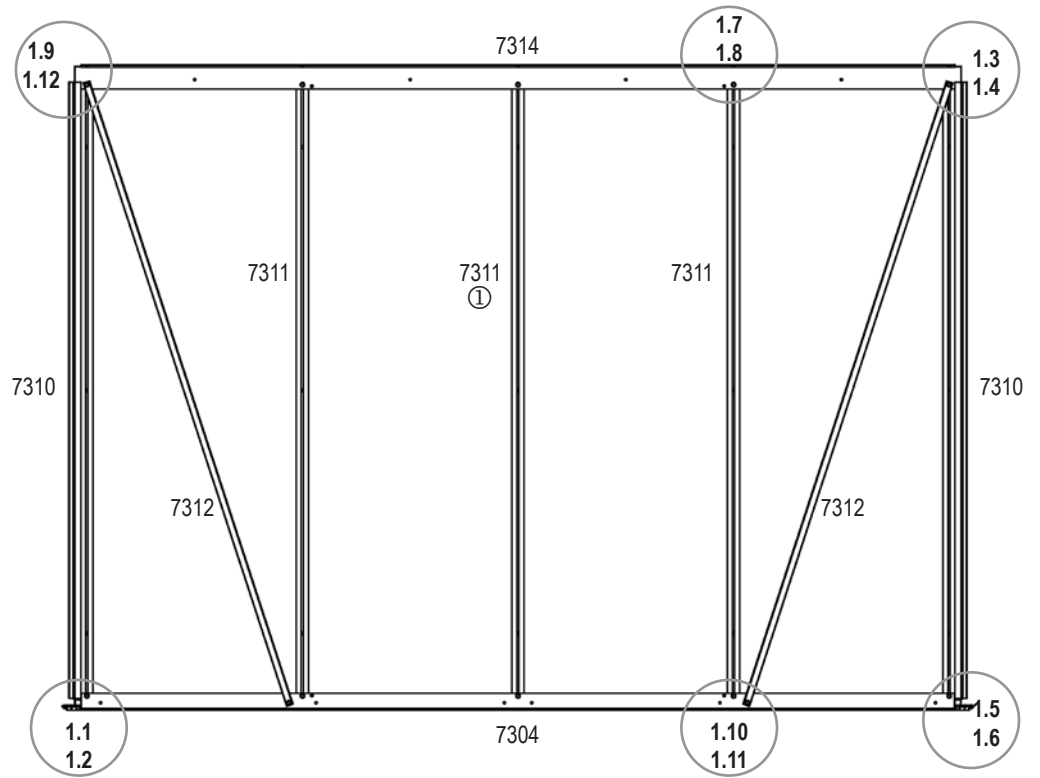
|   | 7800    | 11500   |
|---|---------|---------|
| A | 2699 mm | 3957 mm |
| B | 2754 mm | 2754 mm |
| C | 2659 mm | 3917 mm |
| D | 2659 mm | 2659 mm |

VM0042-A

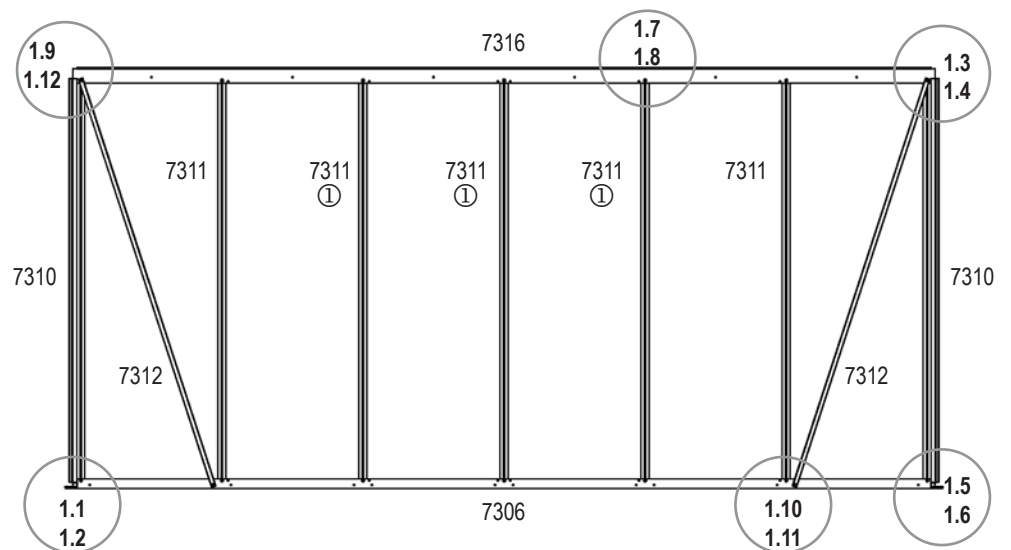
# 1








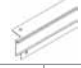



## 7800



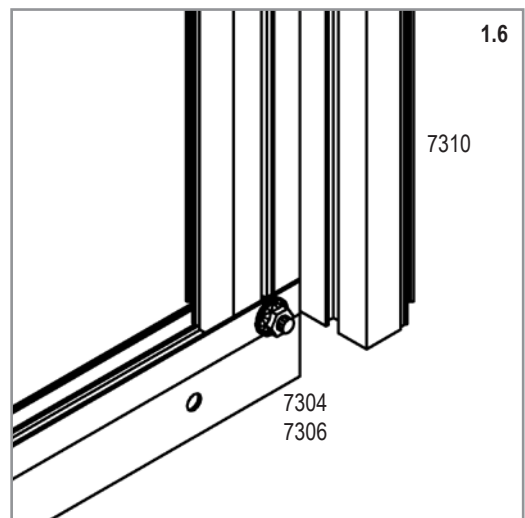
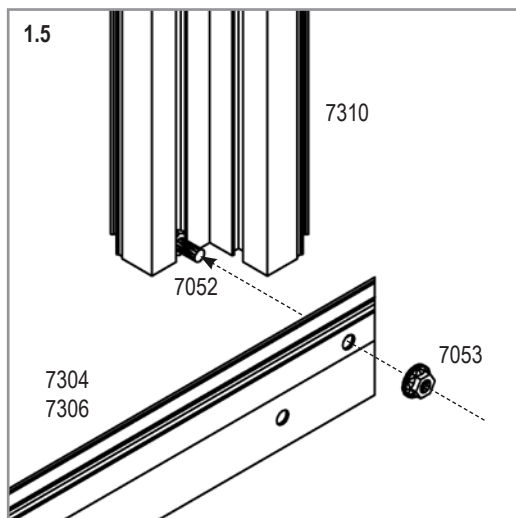
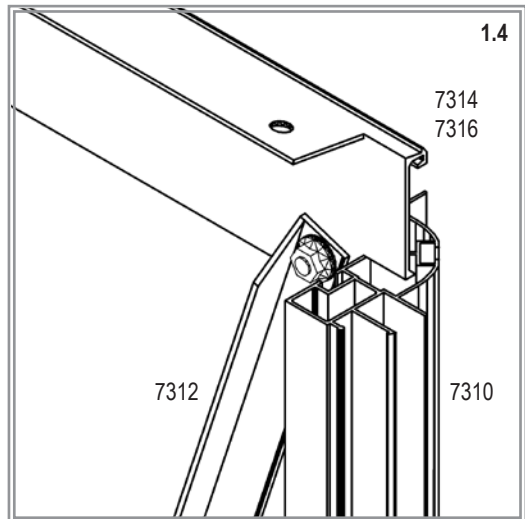
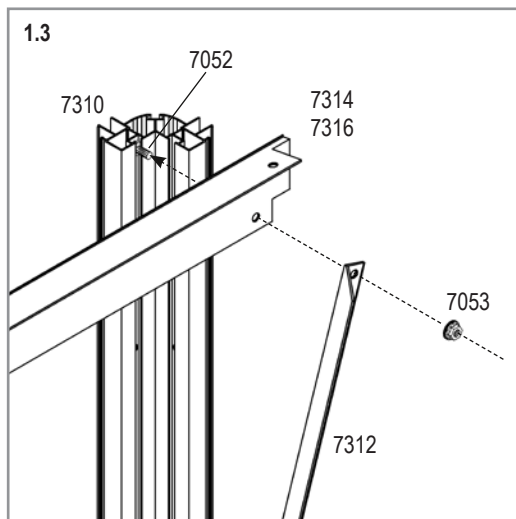
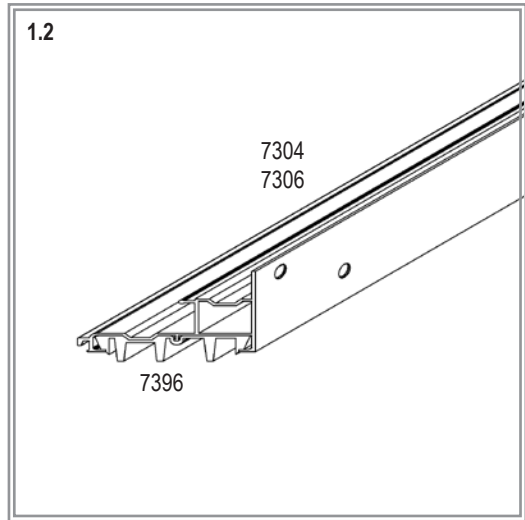
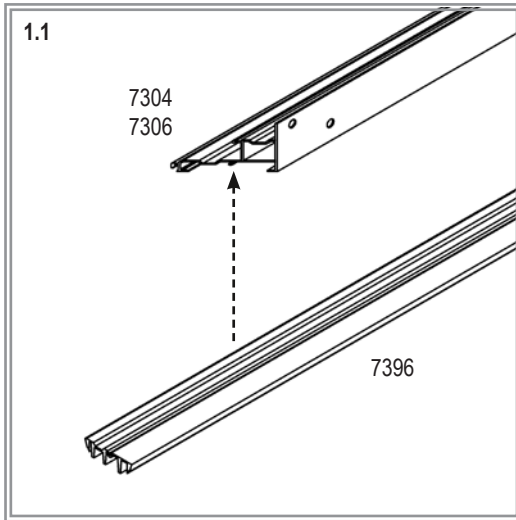
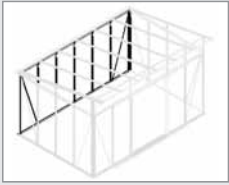
## 11500



|   |   |
|---|---|
| 7800  | 11500   |
| 7050  |    |
| 2x  | 2x  |
| 7052  |    |
| 10x   | 14x   |
| 7053  |    |
| 12x   | 16x   |
|    |   |
| 7304  | 7306  |
| 1x  | 1x  |
| 7310  |  |
| 2x  | 2x  |
| 7311  |  |
| 3x  | 5x  |
| 7312  |  |
| 2x  | 2x  |
|  |   |
| 7314  | 7316  |
| 1x  | 1x  |
| 7396  |  |
| 1x  | 1x  |

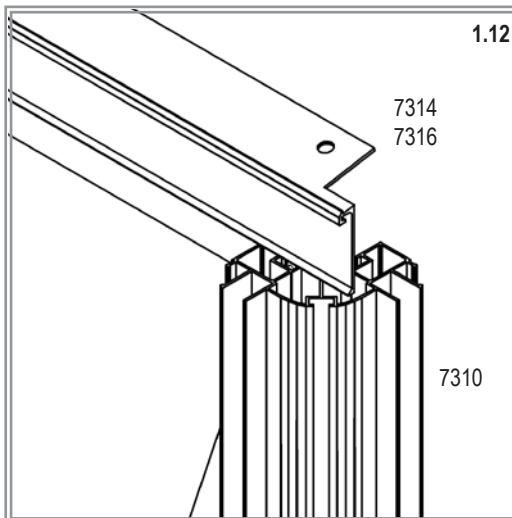
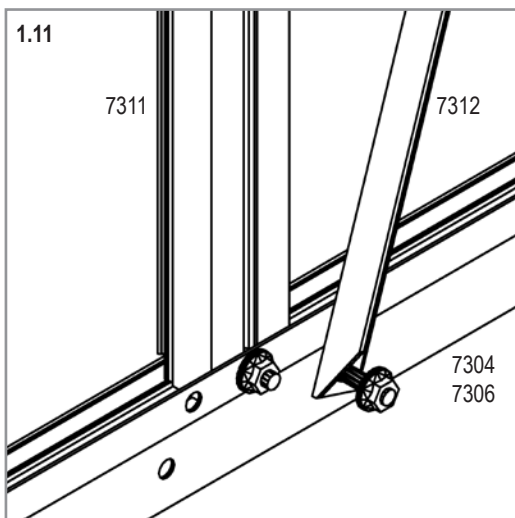
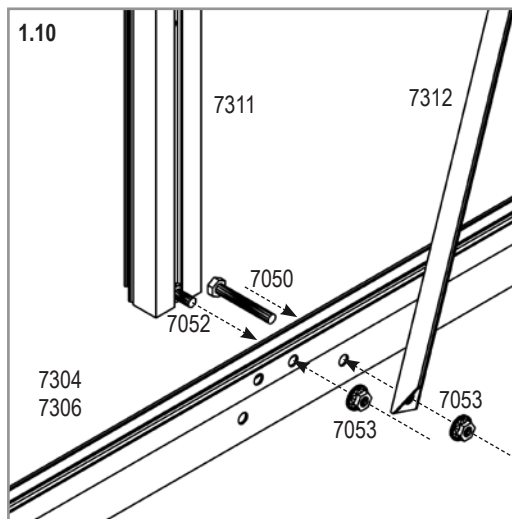
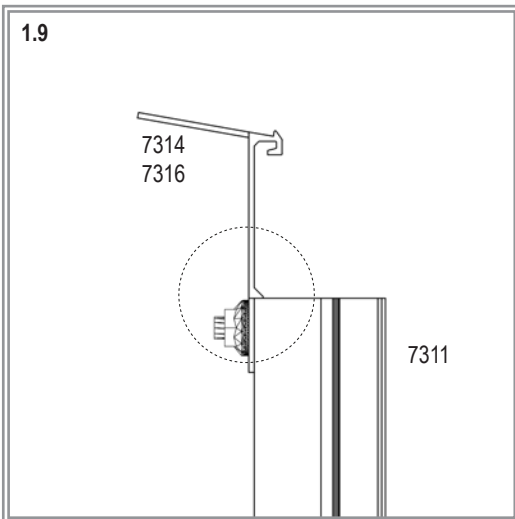
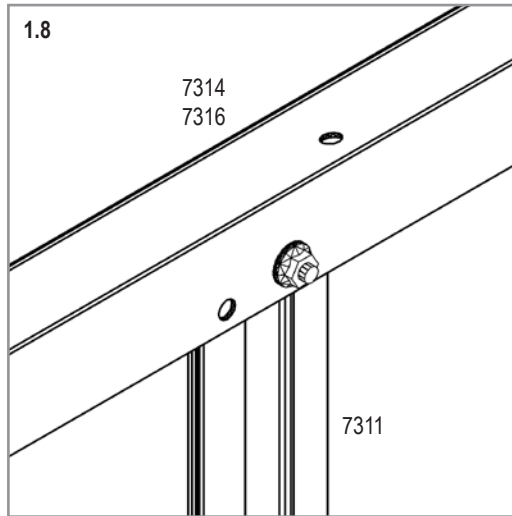
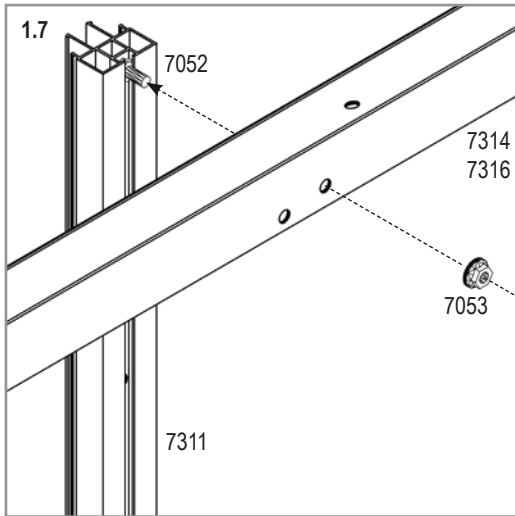
VM0042-A

# 1



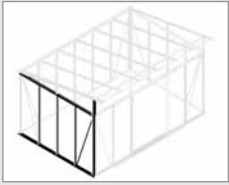
VM0042-A

# 1












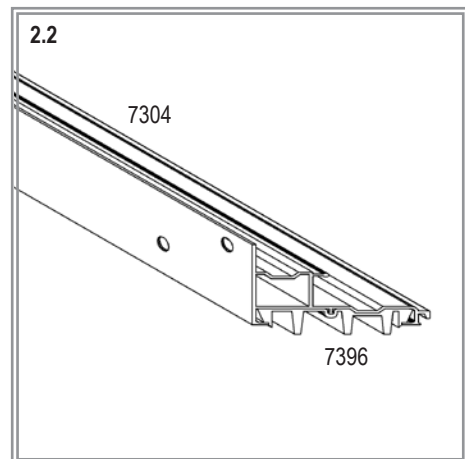
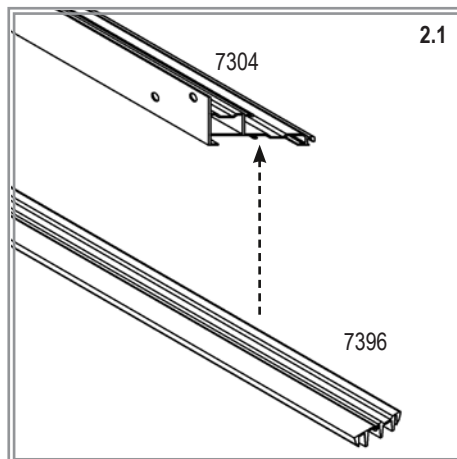
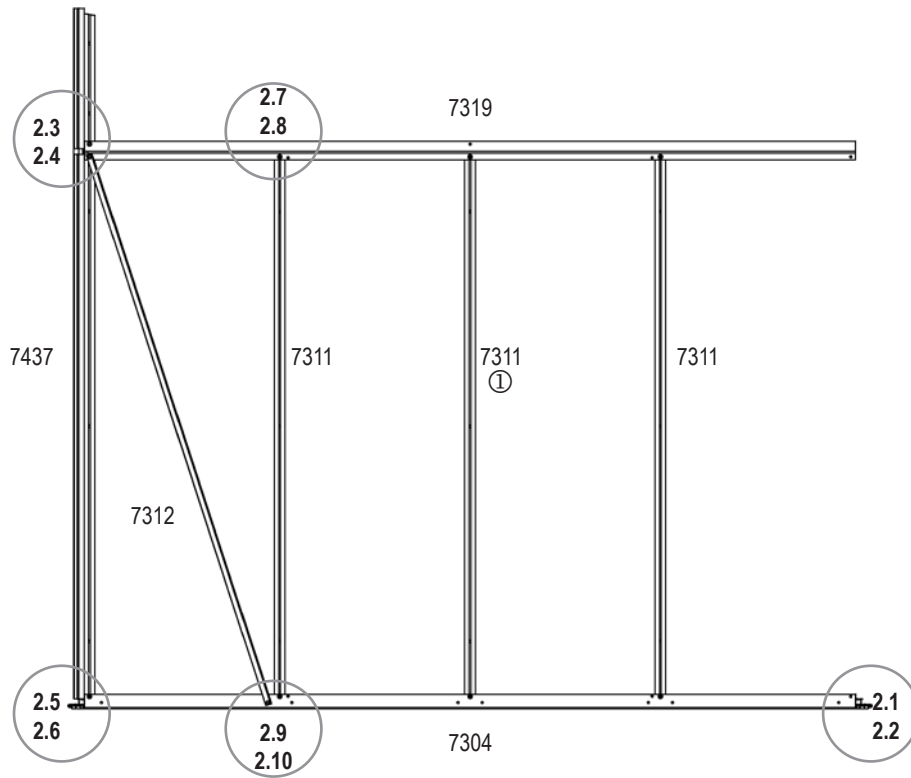
VM0042-A

# 2



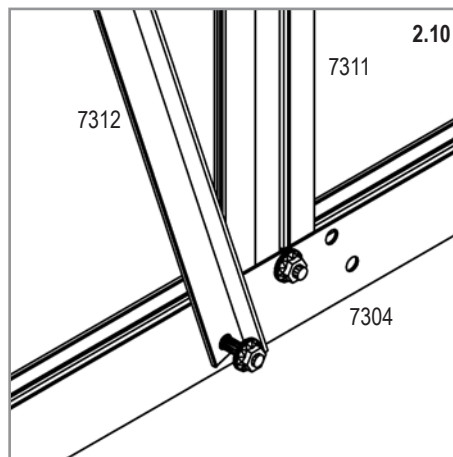
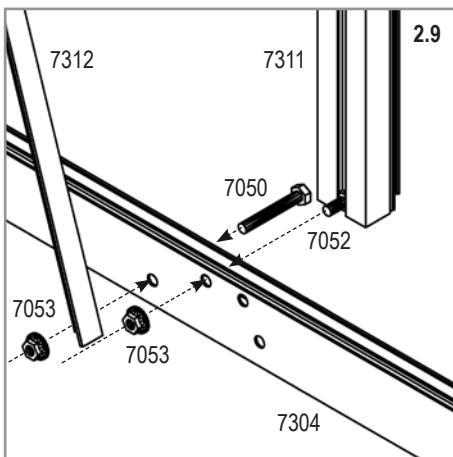
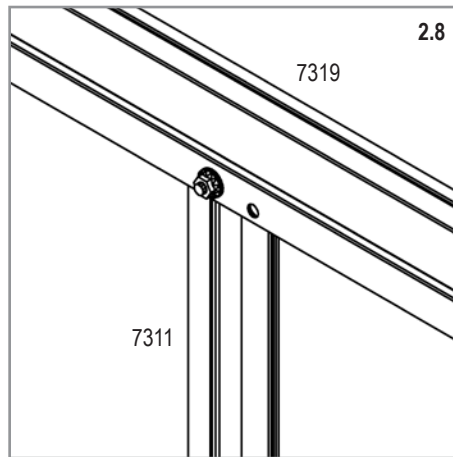
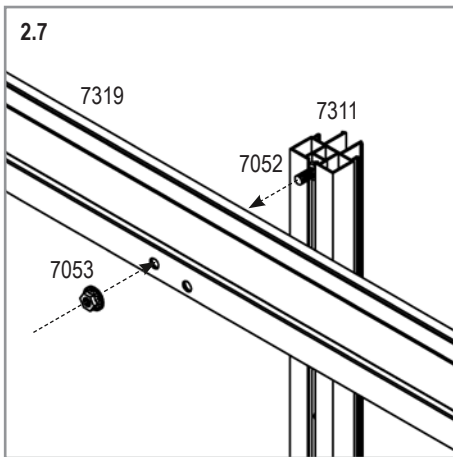
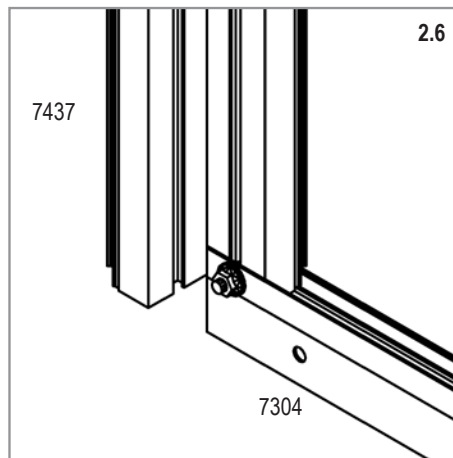
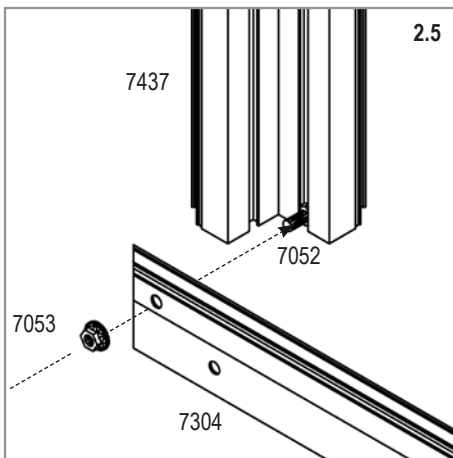
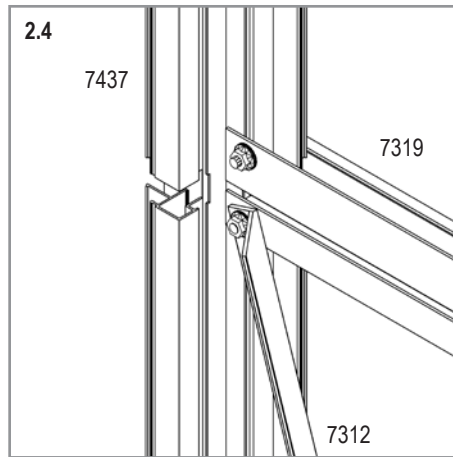
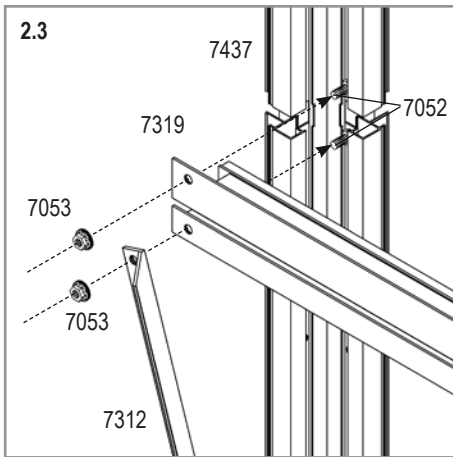
### All Models

|             |   |
|-------------|---|
| 7050<br>1x  |    |
| 7052<br>9x  |    |
| 7053<br>10x |    |
| 7304<br>1x  |    |
| 7311<br>3x  |    |
| 7312<br>1x  |    |
| 7319<br>1x  |    |
| 7396<br>1x  |   |
| 7437<br>1x  |  |



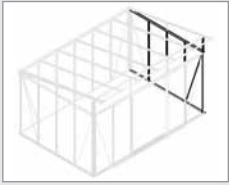
VM0042-A

# 2












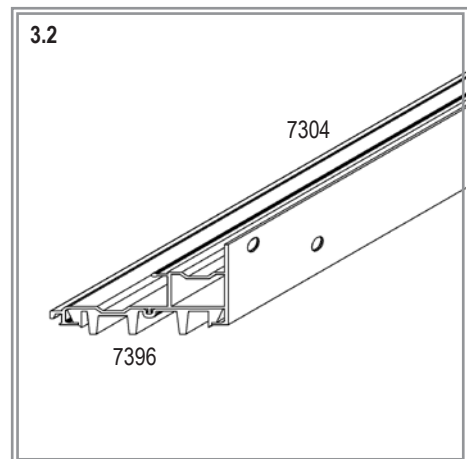
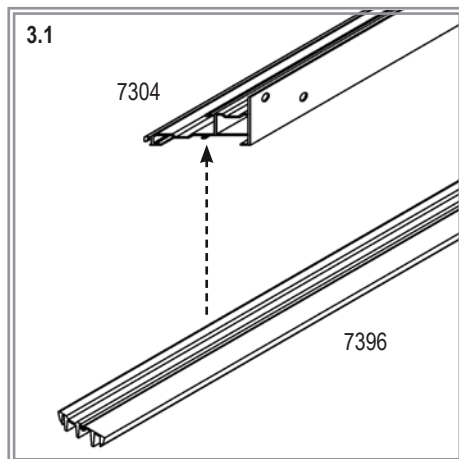
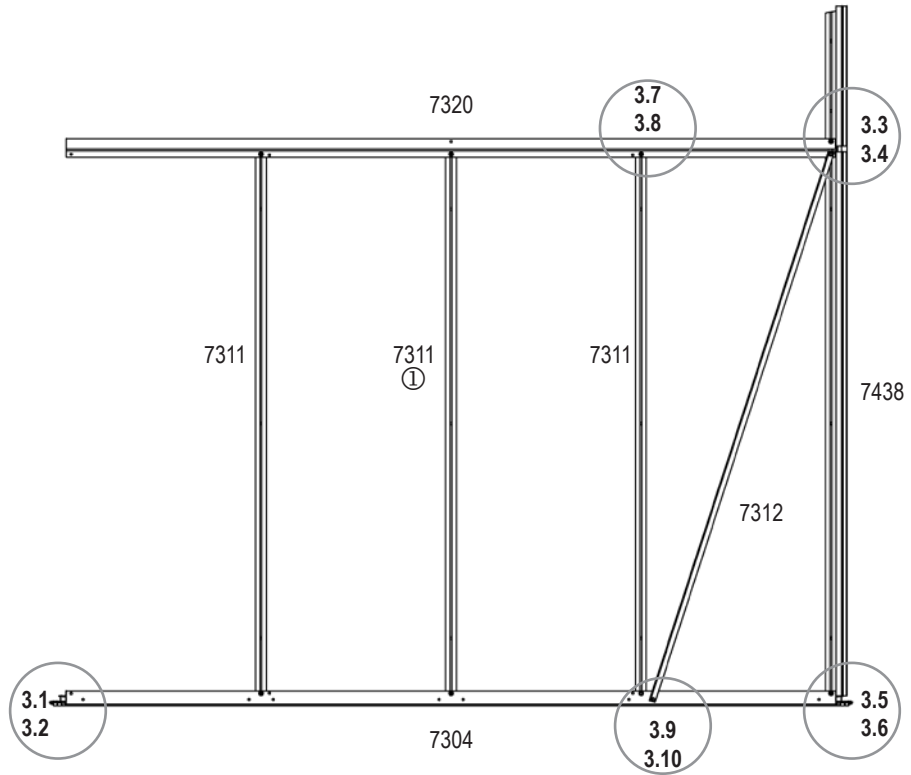
VM0042-A

# 3



## All Models

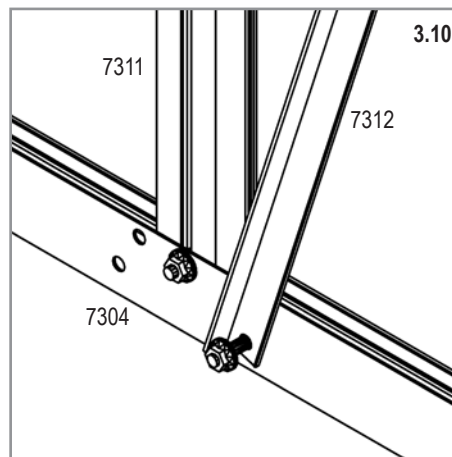
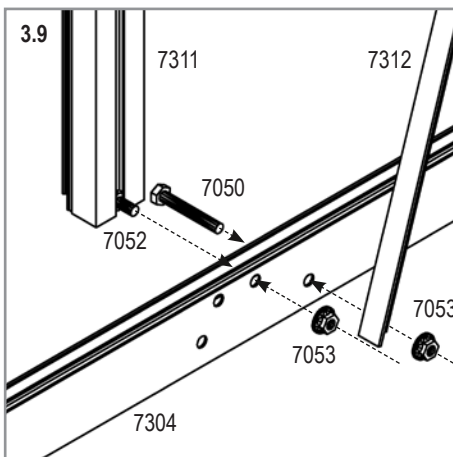
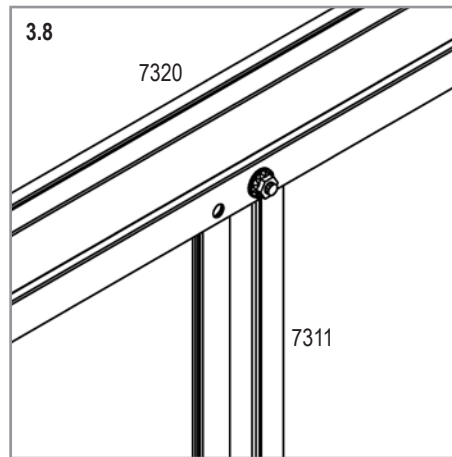
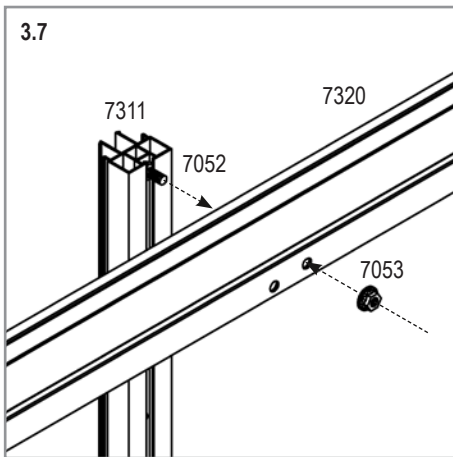
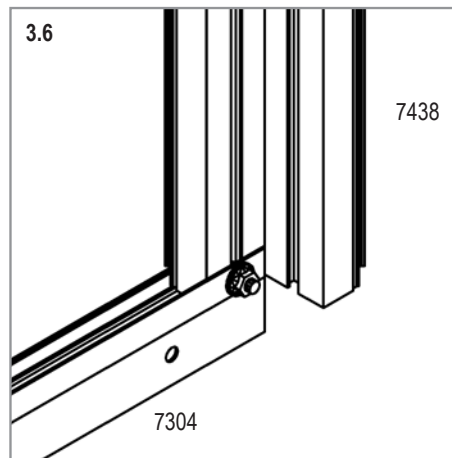
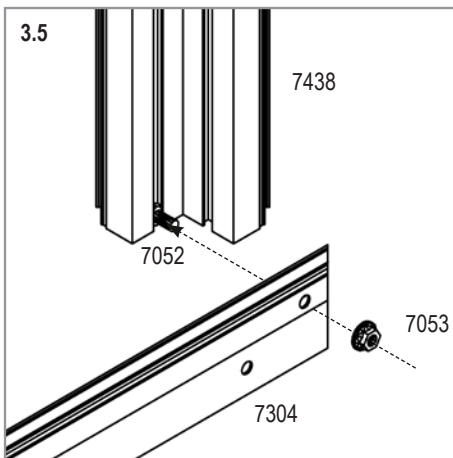
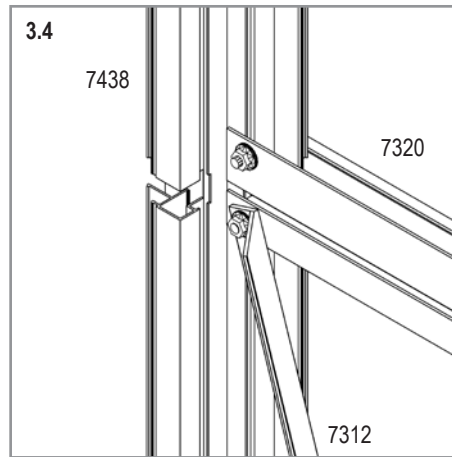
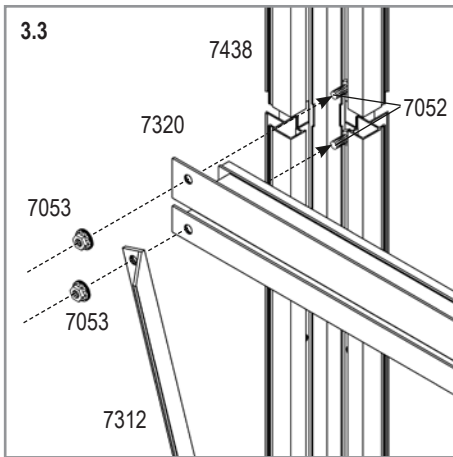
|             |   |
|-------------|---|
| 7050<br>1x  |    |
| 7052<br>9x  |    |
| 7053<br>10x |    |
| 7304<br>1x  |    |
| 7311<br>3x  |    |
| 7312<br>1x  |    |
| 7320<br>1x  |   |
| 7396<br>1x  |  |
| 7438<br>1x  |  |



VM0042-A



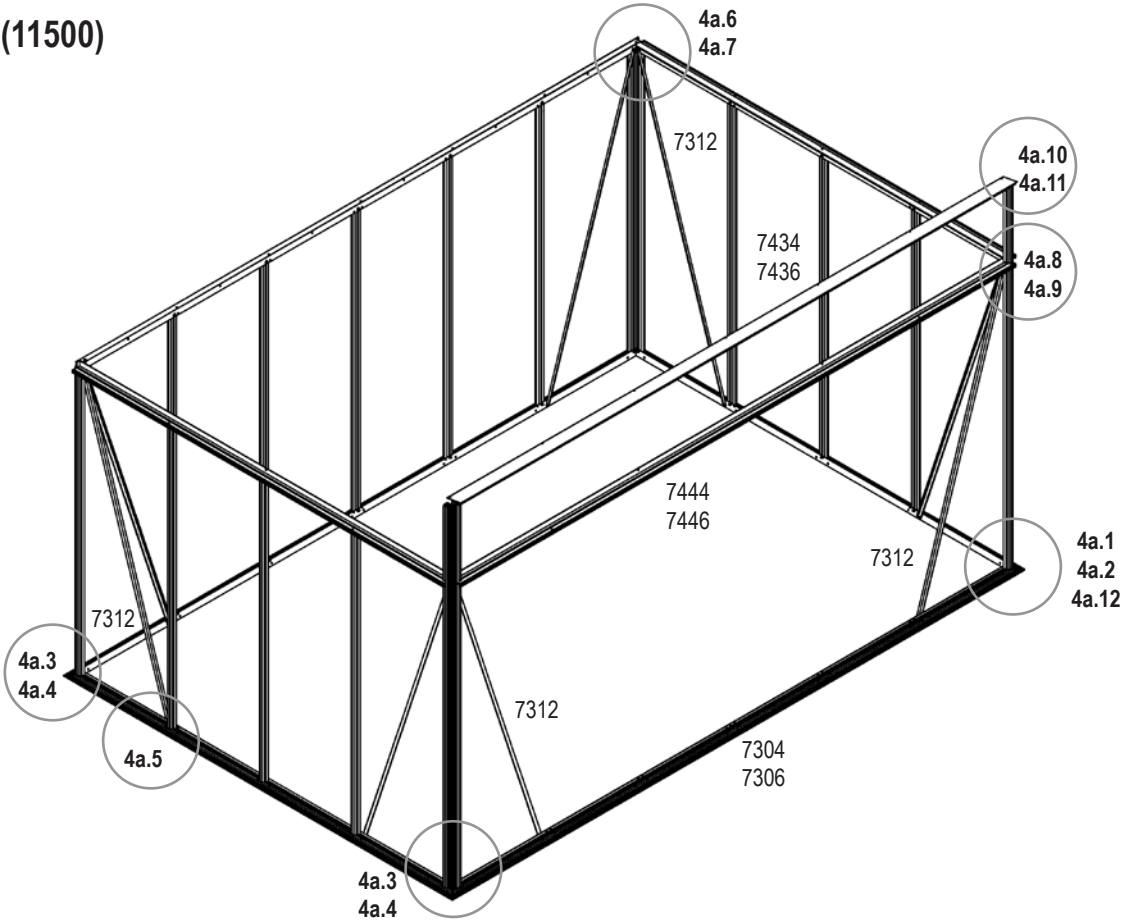
# 3



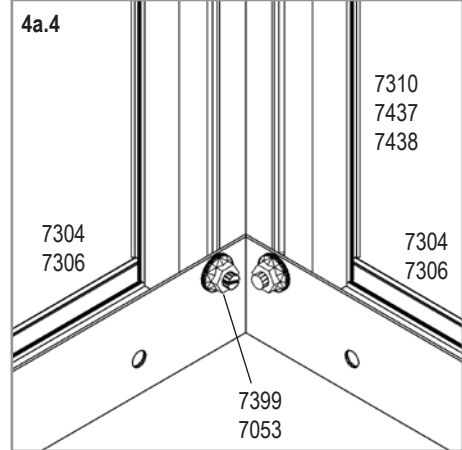
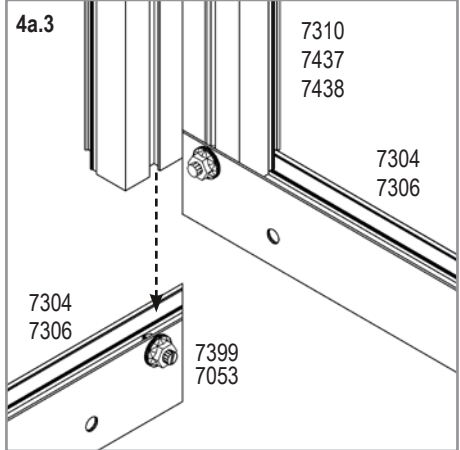
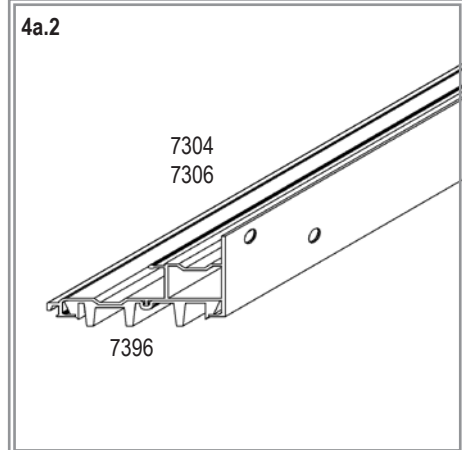
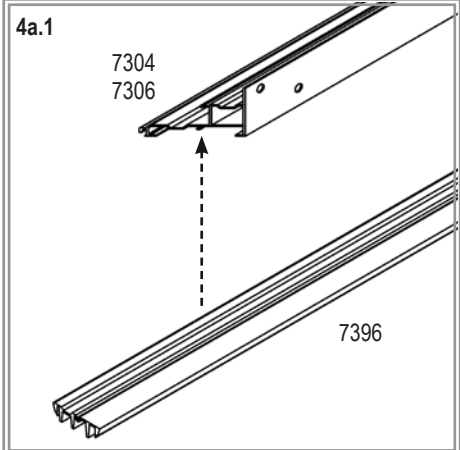
VM0042-A

# 4a

(11500)

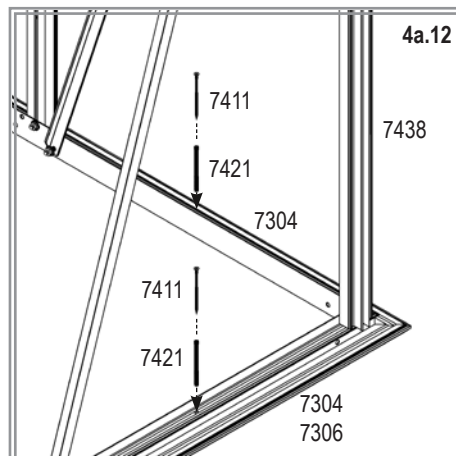
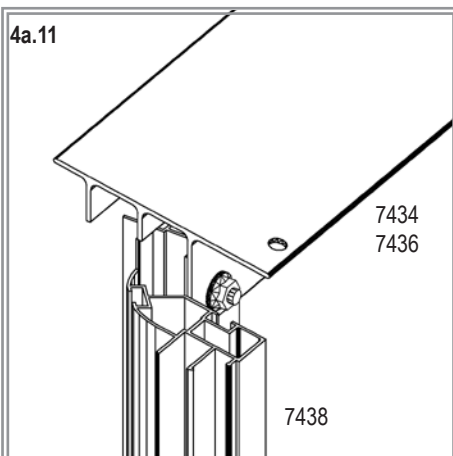
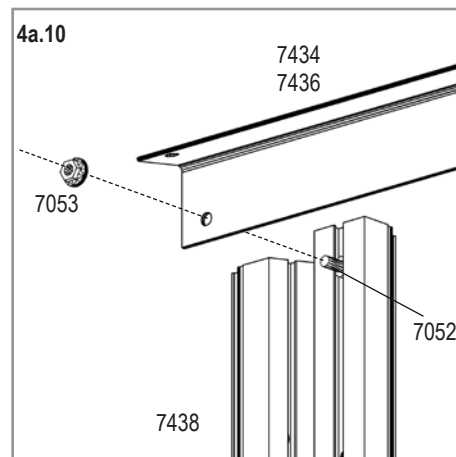
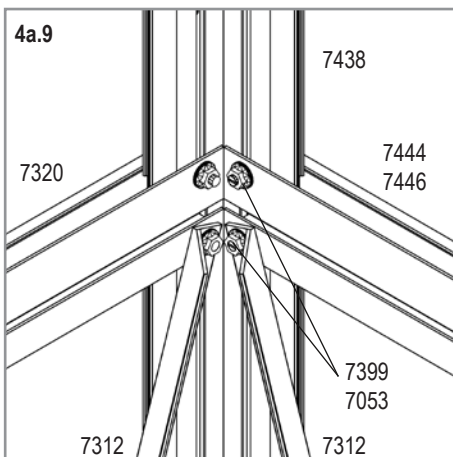
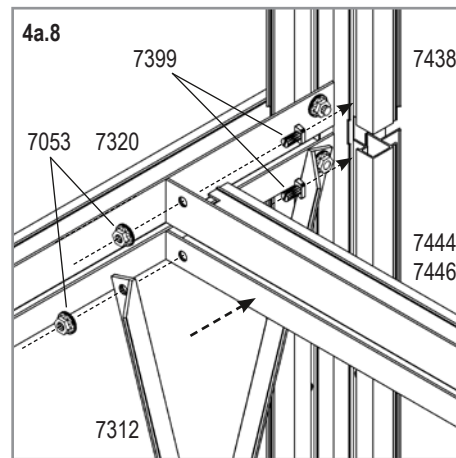
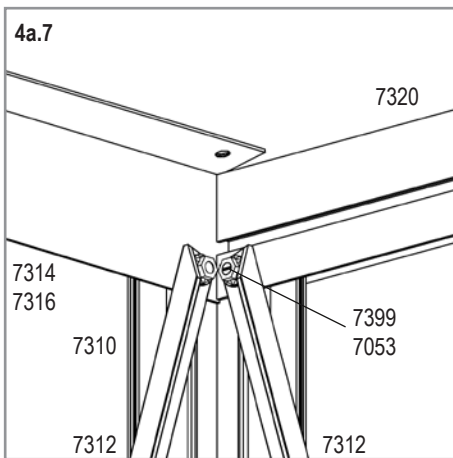
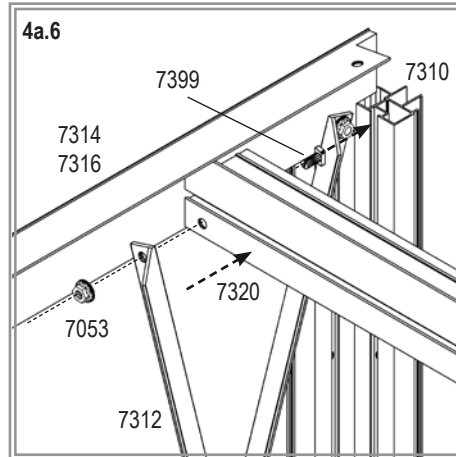
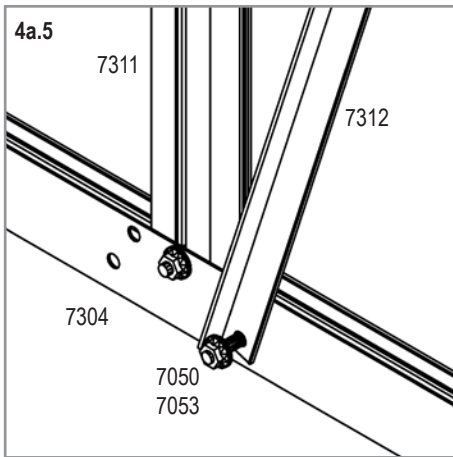


| 7800 | 11500 |
|------|-------|
| 7050 |       |
| 4x   | 4x    |
| 7052 |       |
| 2x   | 2x    |
| 7053 |       |
| 16x  | 16x   |
|      |       |
| 7304 | 7306  |
| 1x   | 1x    |
| 7312 |       |
| 4x   | 4x    |
| 7396 |       |
| 1x   | 1x    |
| 7399 |       |
| 10x  | 10x   |
| 7411 |       |
| 16x  | 20x   |
| 7421 |       |
| 16x  | 20x   |
|      |       |
| 7434 | 7436  |
| 1x   | 1x    |
|      |       |
| 7444 | 7446  |
| 1x   | 1x    |



VM0042-A

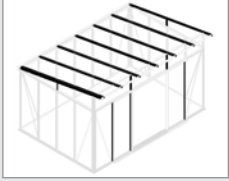
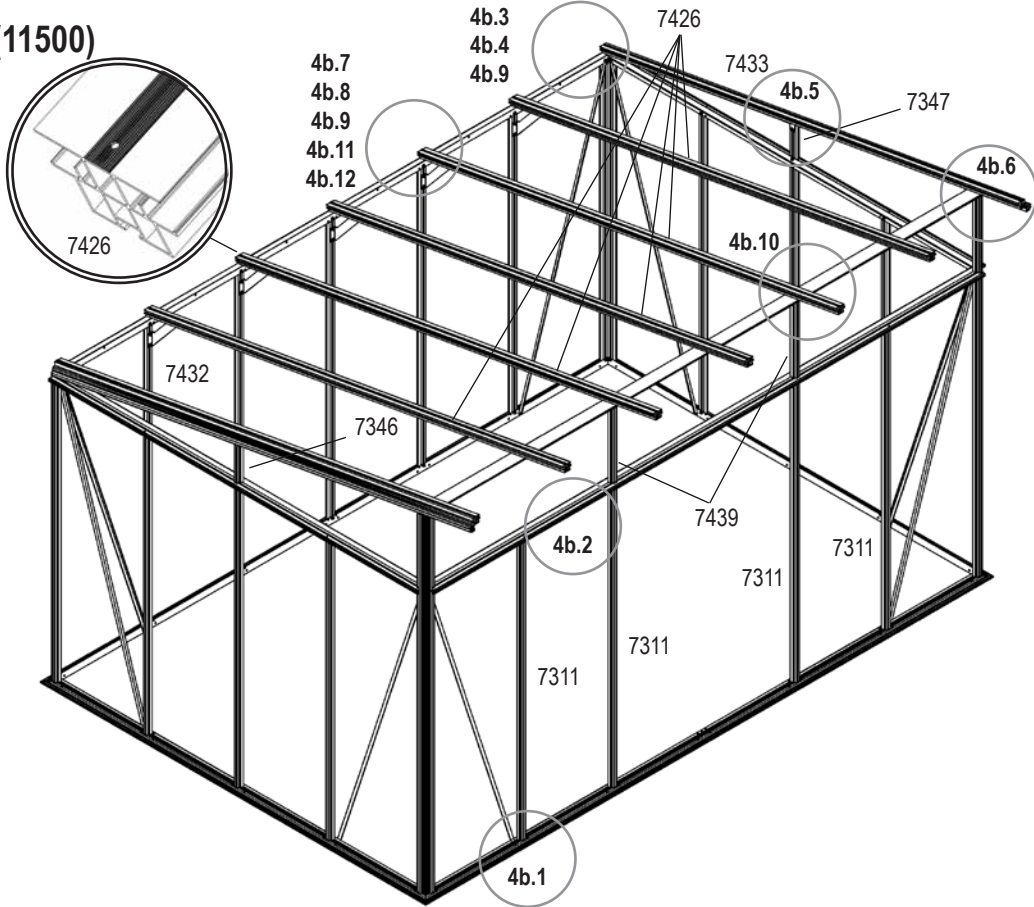
# 4a



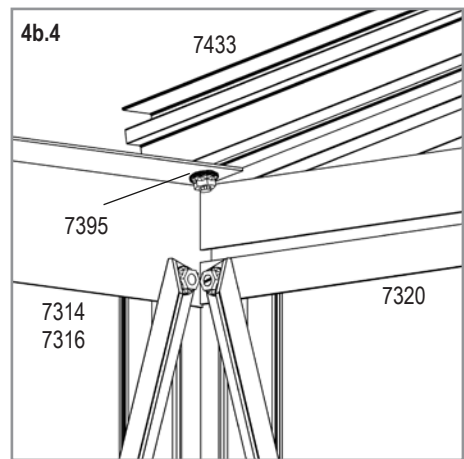
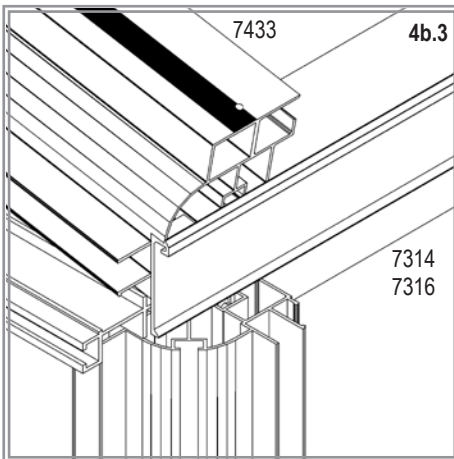
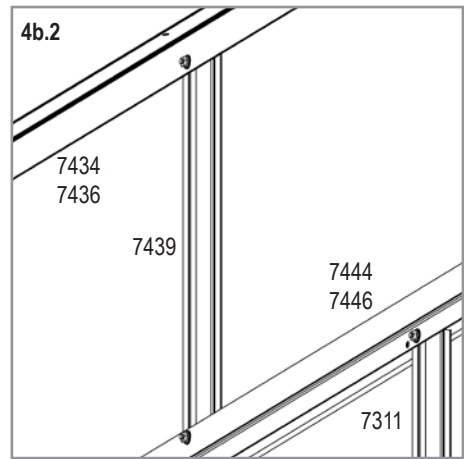
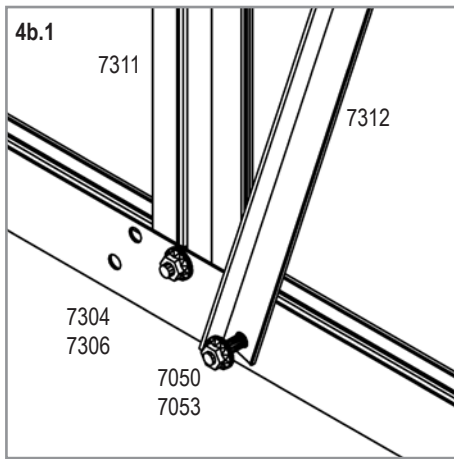
VM0042-A

# 4b

(11500)

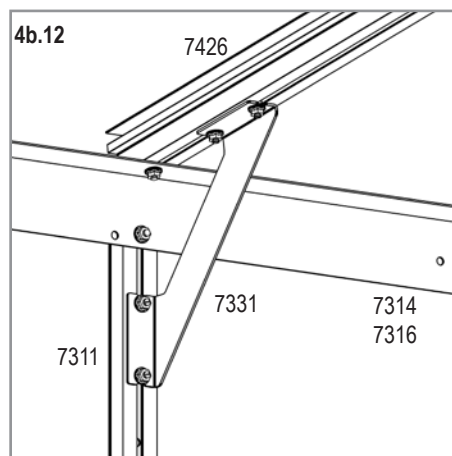
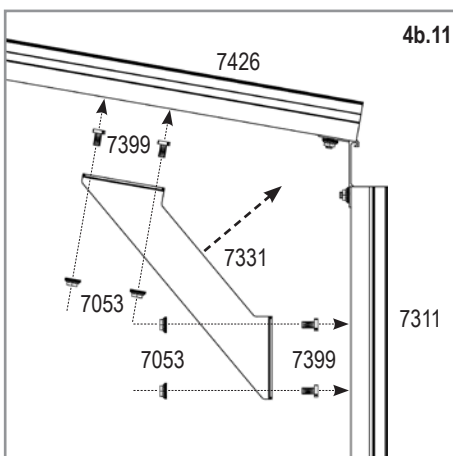
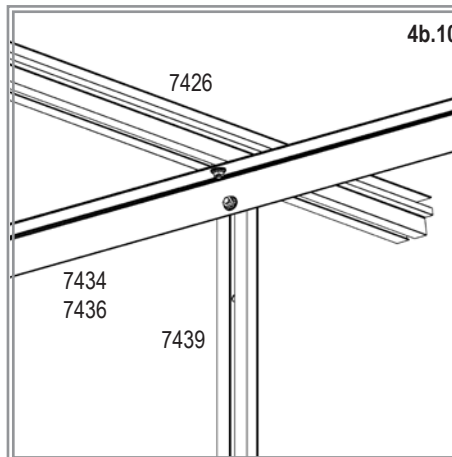
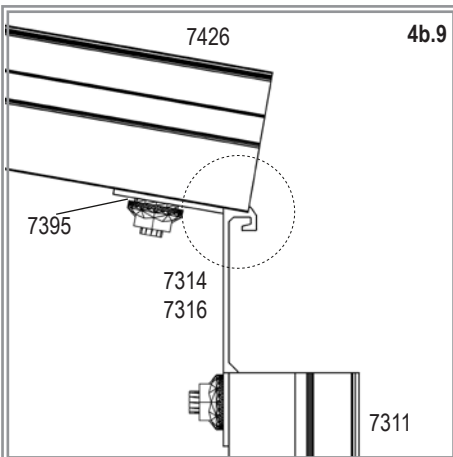
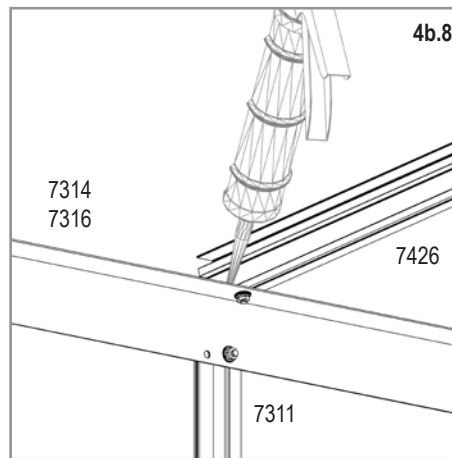
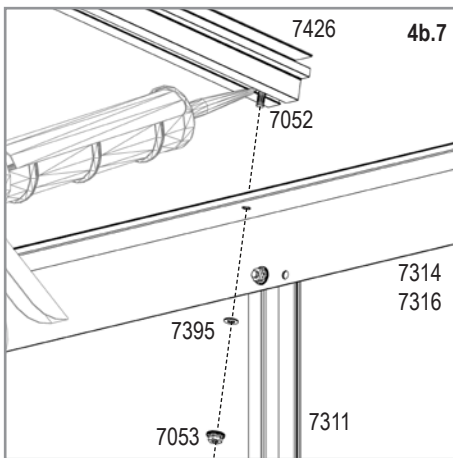
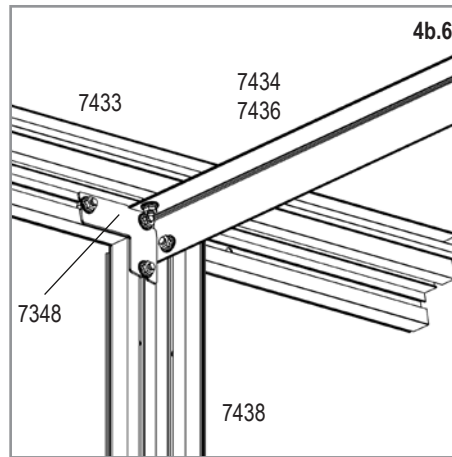
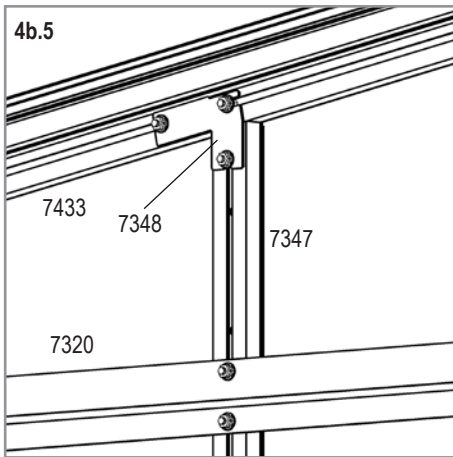


| 7800 | 11500 |
|------|-------|
| 7052 |       |
| 30x  | 40x   |
| 7053 |       |
| 42x  | 60x   |
| 7311 |       |
| 2x   | 4x    |
| 7331 |       |
| 3x   | 5x    |
| 7346 |       |
| 1x   | 1x    |
| 7347 |       |
| 1x   | 1x    |
| 7348 |       |
| 4x   | 4x    |
| 7395 |       |
| 5x   | 7x    |
| 7399 |       |
| 12x  | 20x   |
| 7426 |       |
| 3x   | 5x    |
| 7432 |       |
| 1x   | 1x    |
| 7433 |       |
| 1x   | 1x    |
| 7439 |       |
| 1x   | 2x    |



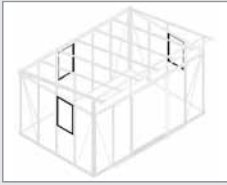
VM0042-A

# 4b

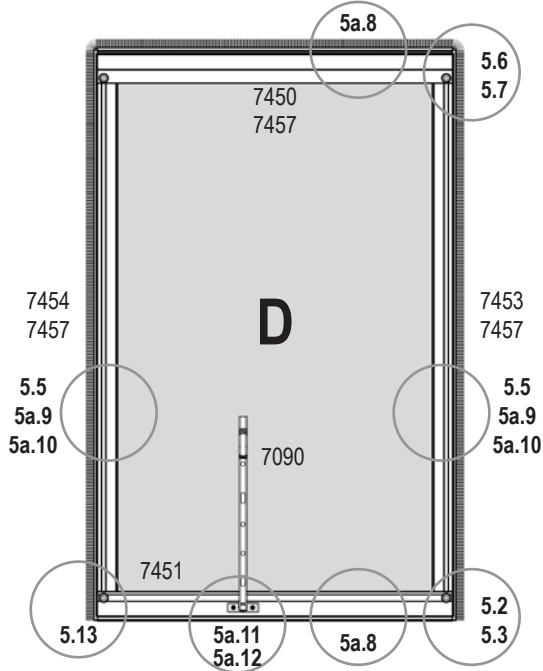


VM0042-A

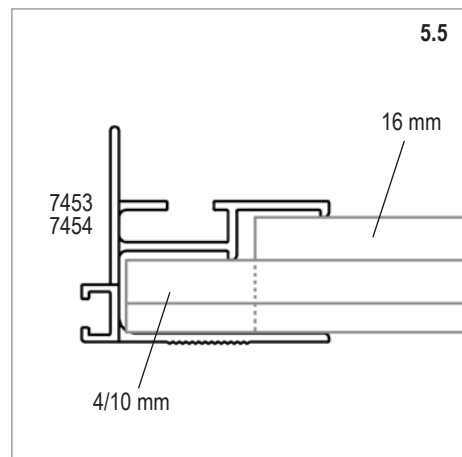
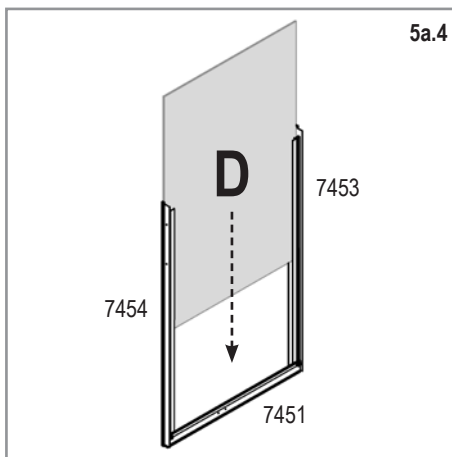
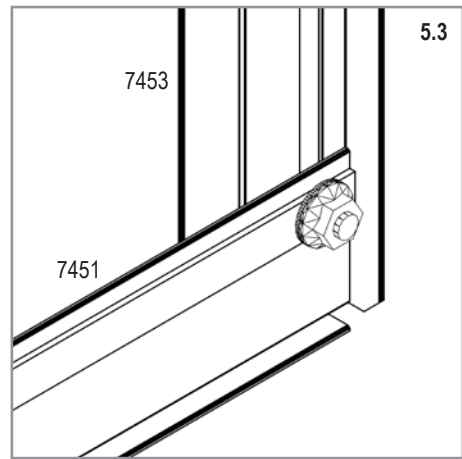
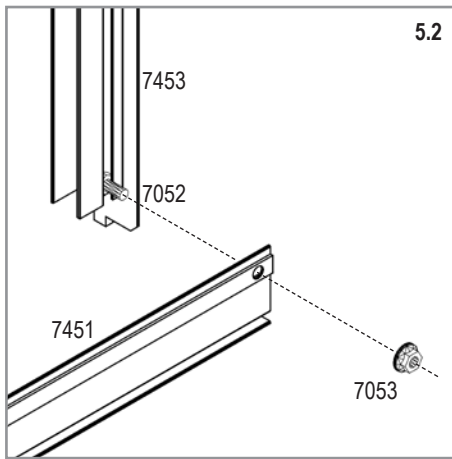
# 5a



- All Models**
- 6070 4x 3
  - 7052 4x 3
  - 7053 4x 3
  - 7090 1x 3
  - 7349 2x 3
  - 7413 1x 3
  - 7420 1x 3
  - 7450 1x 3
  - 7451 1x 3
  - 7453 1x 3
  - 7454 1x 3
  - 7457 1x 3

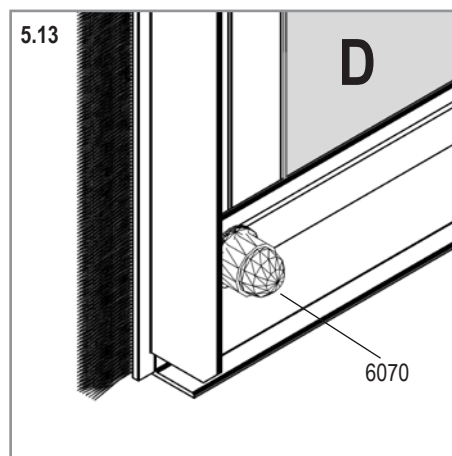
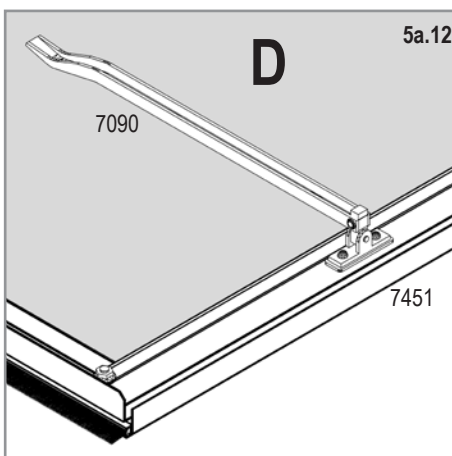
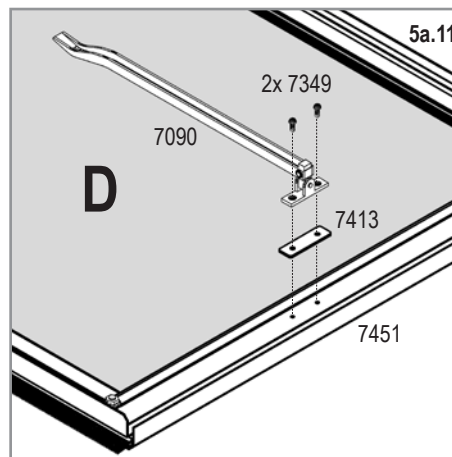
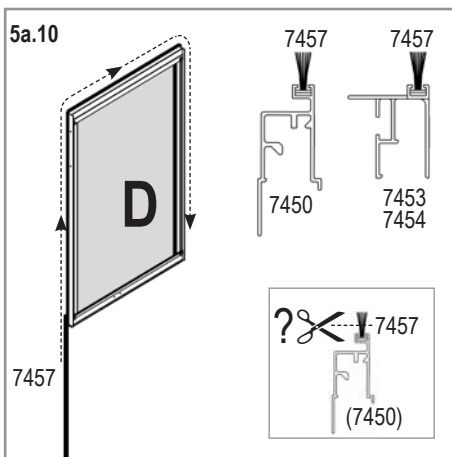
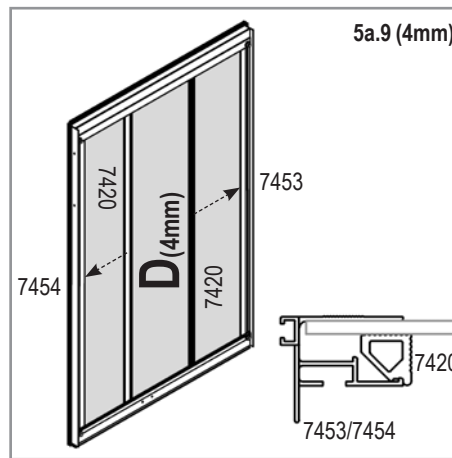
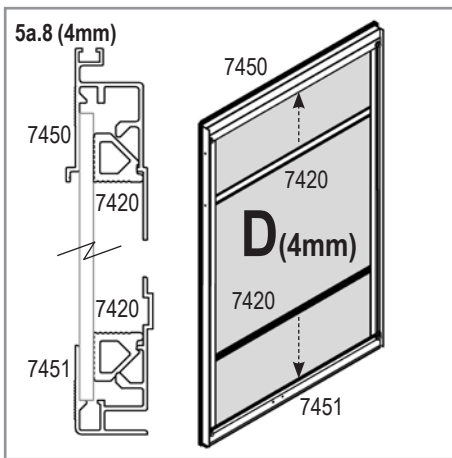
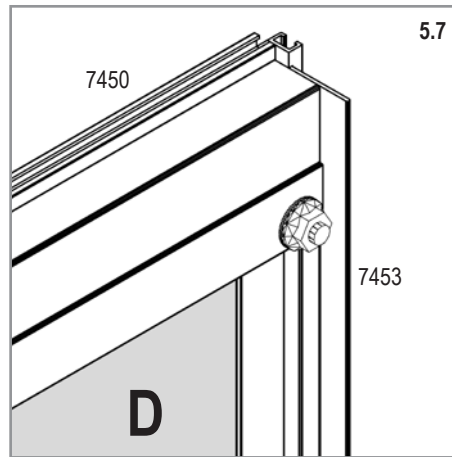
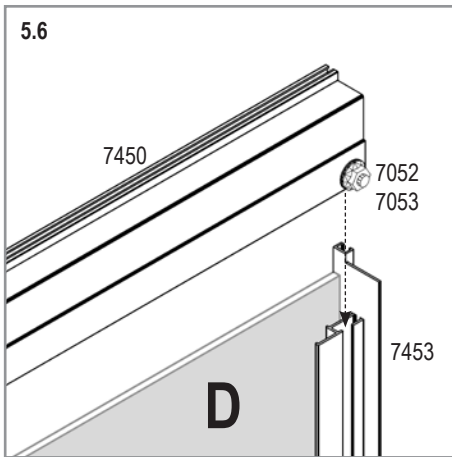


| 5a.1 | GLASS    |           | POLYCARBONATE |           |          |           | QUANTITY / MODEL |       |
|------|----------|-----------|---------------|-----------|----------|-----------|------------------|-------|
|      | 4 MM     |           | 10 MM         |           | 16 MM    |           | 7800             | 11500 |
|      | ART. No. | MM        | ART. No.      | MM        | ART. No. | MM        |                  |       |
| D    | 40000657 | 555 x 870 | 369581        | 555 x 870 | 40000695 | 519 x 851 | 1x 3             | 1x 3  |



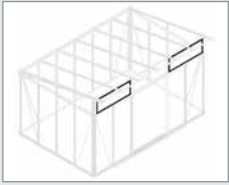
**VM0042-A**








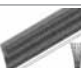




# 5a

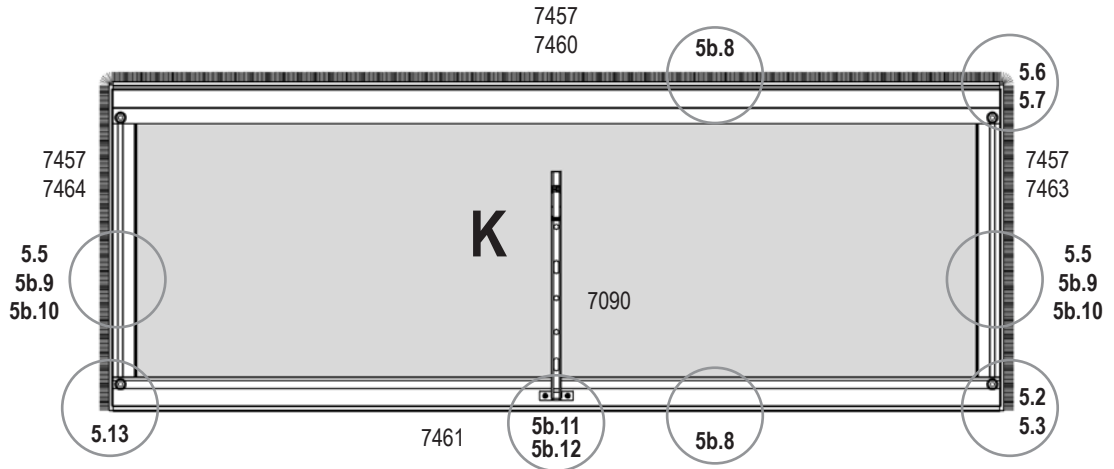


VM0042-A

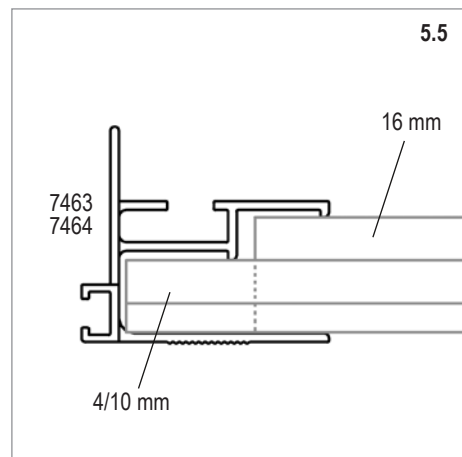
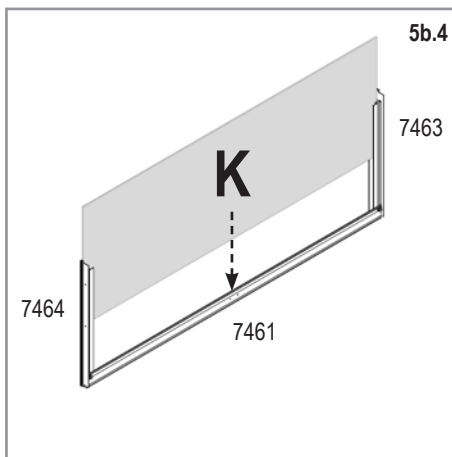
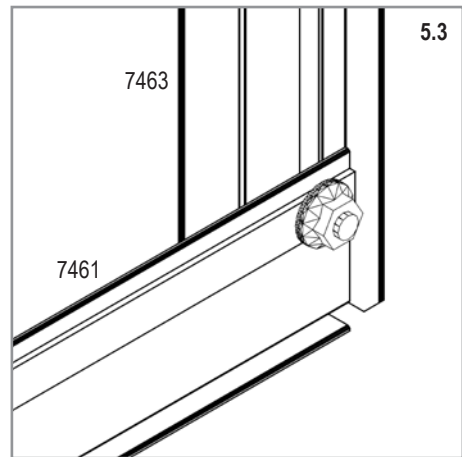
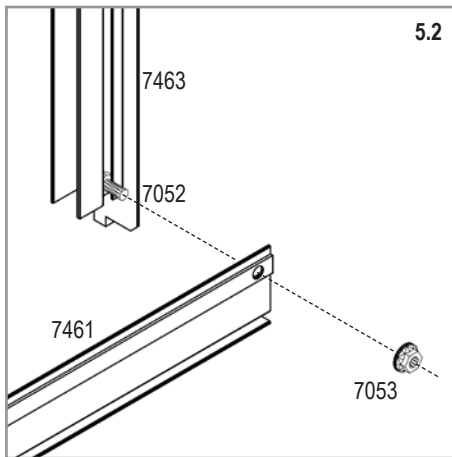
# 5b



|             |   |
|-------------|---|
| <b>7800</b> | <b>11500</b>  |
| <b>1x</b>   | <b>2x</b>   |
| 1003        |    |
| 2x 1        | 2x 2  |
| 6070        |    |
| 4x 1        | 4x 2  |
| 7052        |    |
| 4x 1        | 4x 2  |
| 7053        |    |
| 4x 1        | 4x 2  |
| 7090        |   |
| 1x 1        | 1x 2  |
| 7413        |  |
| 2x 1        | 2x 2  |
| 7420        |  |
| 1x 1        | 1x 2  |
| 7457        |  |
| 1x 1        | 1x 2  |
| 7460        |  |
| 1x 1        | 1x 2  |
| 7461        |  |
| 1x 1        | 1x 2  |
| 7463        |  |
| 1x 1        | 1x 2  |
| 7464        |  |
| 1x 1        | 1x 2  |



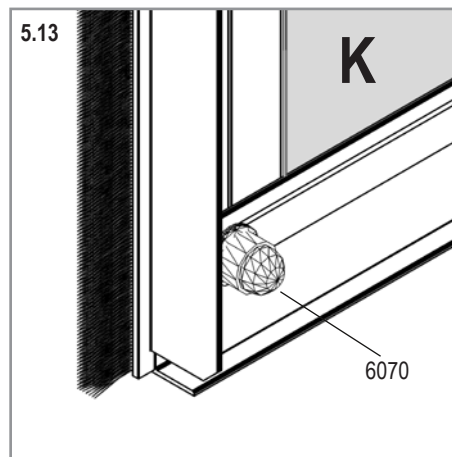
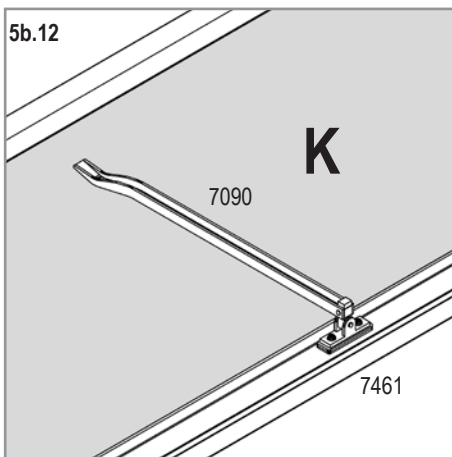
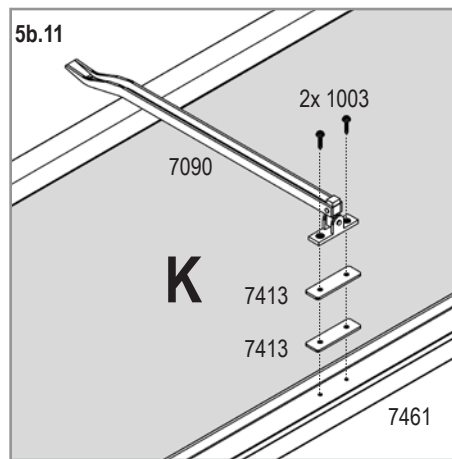
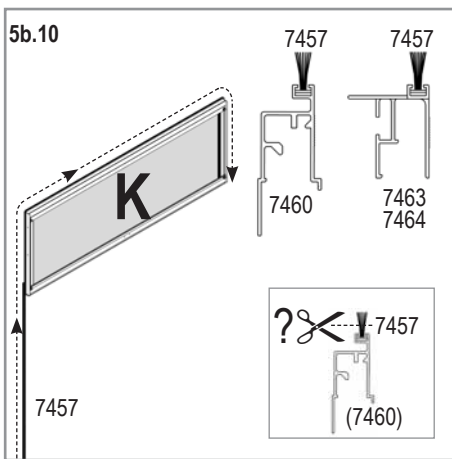
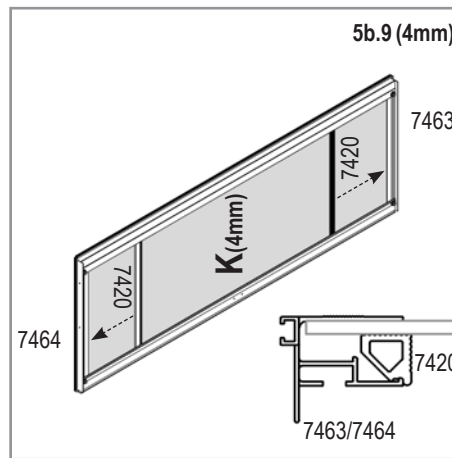
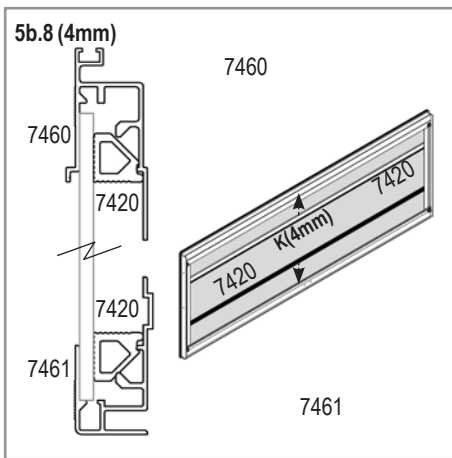
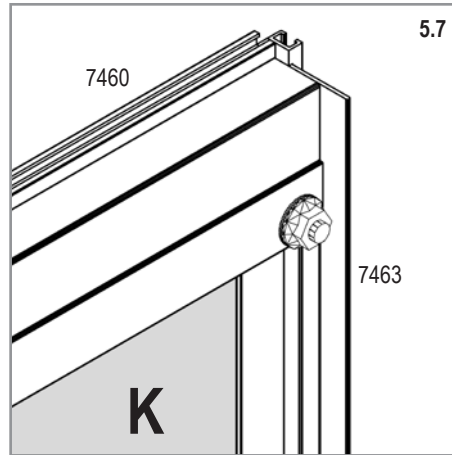
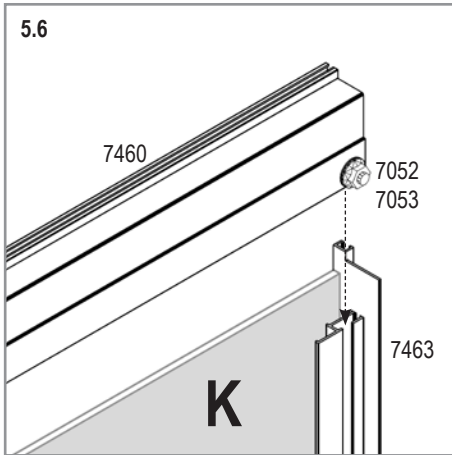
| 5b.1     | GLASS    |                | POLYCARBONATE |            |          |            | QUANTITY / MODEL |       |
|----------|----------|----------------|---------------|------------|----------|------------|------------------|-------|
|          | 4 MM     |                | 10 MM         |            | 16 MM    |            | 7800             | 11500 |
|          | ART. No. | MM             | ART. No.      | MM         | ART. No. | MM         |                  |       |
| <b>K</b> | 40000855 | 1182 x 411 x 4 | 40000858      | 1182 x 411 | 40000860 | 1149 x 393 | 1x 1             | 1x 2  |



VM0042-A

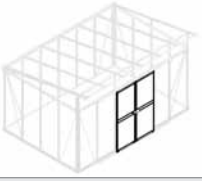


# 5b



VM0042-A

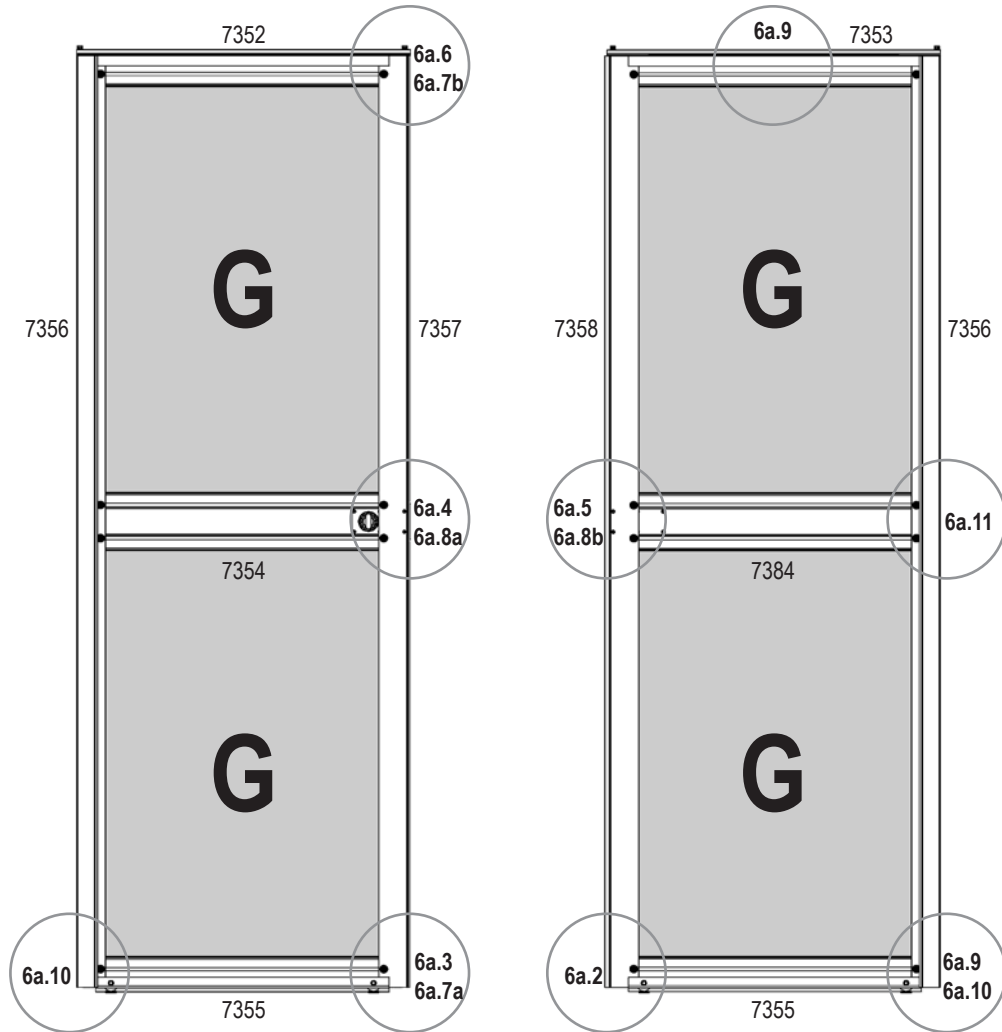
# 6a



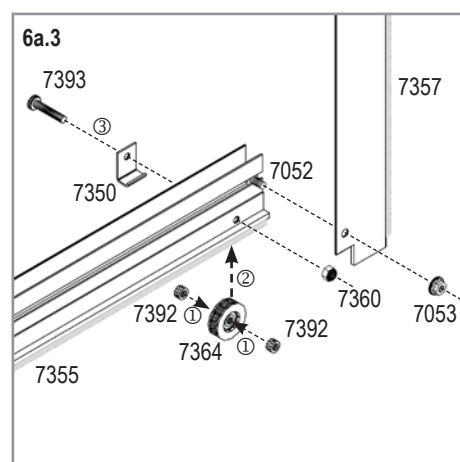
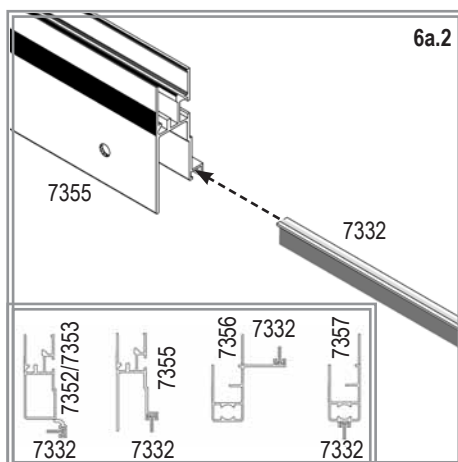
### All Models



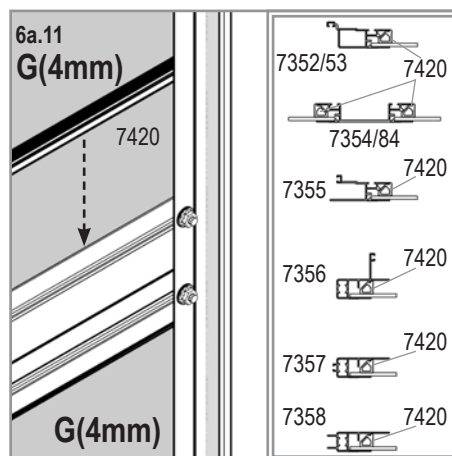
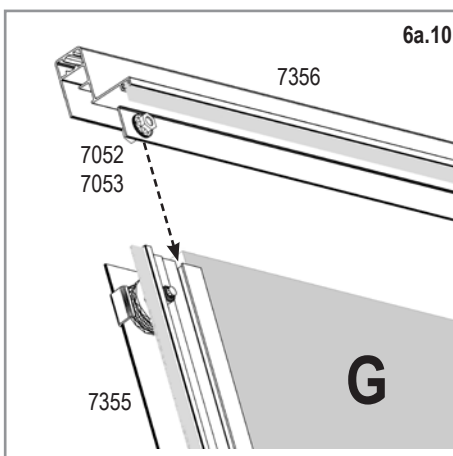
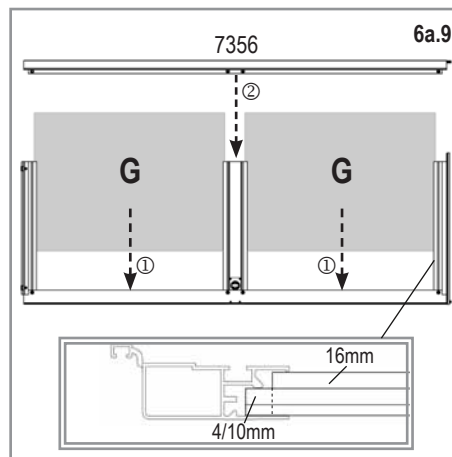
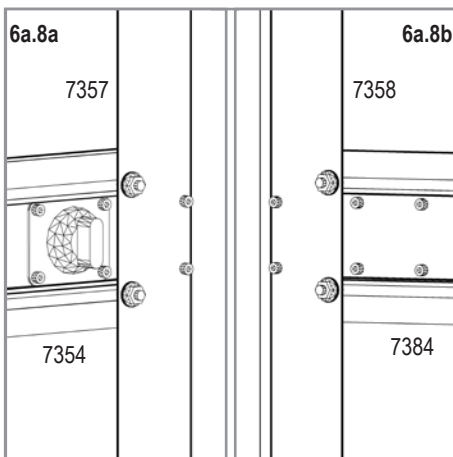
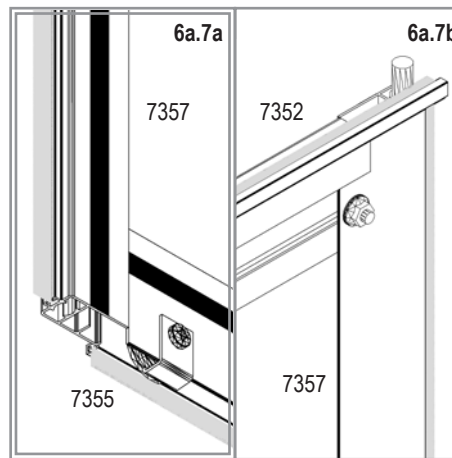
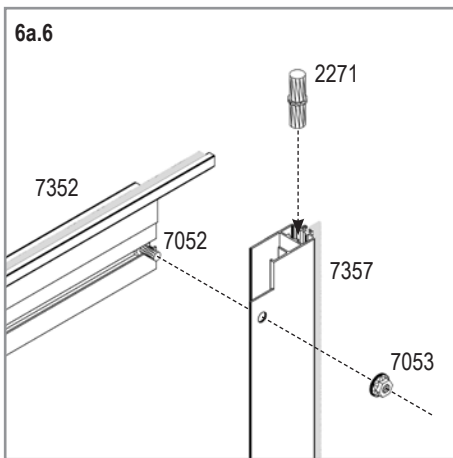
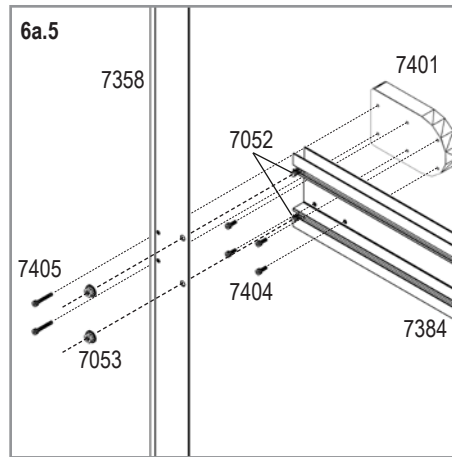
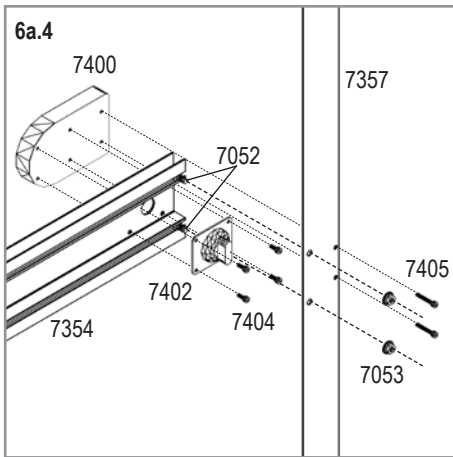
### VM0042-A



| 6a.1 | GLASS    |           | POLYCARBONATE |           |          |           | QUANTITY / MODEL |       |
|------|----------|-----------|---------------|-----------|----------|-----------|------------------|-------|
|      | 4 MM     |           | 10 MM         |           | 16 MM    |           | 7800             | 11500 |
|      | ART. No. | MM        | ART. No.      | MM        | ART. No. | MM        |                  |       |
| G    | 367853   | 619 x 843 | 369586        | 619 x 843 | 369596   | 595 x 823 | 4x               | 4x    |

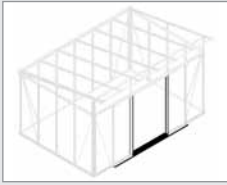


# 6a

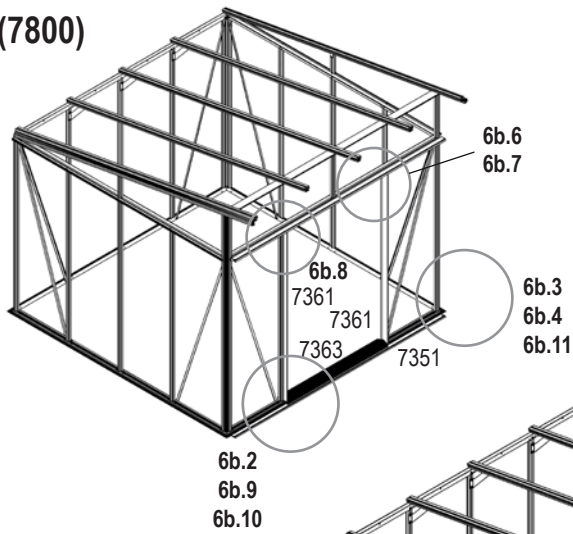


VM0042-A

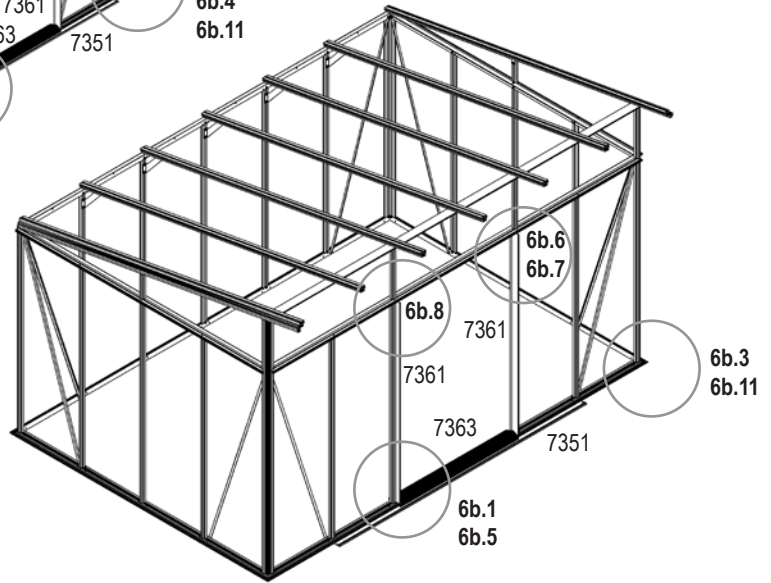
# 6b



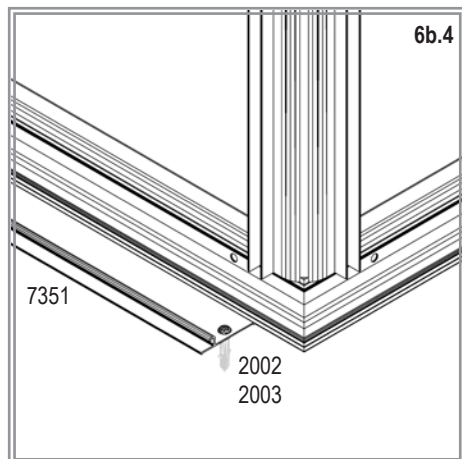
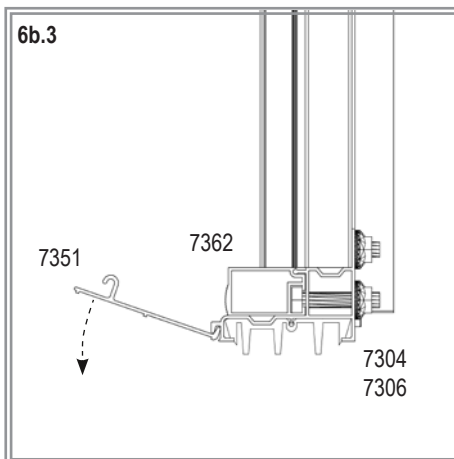
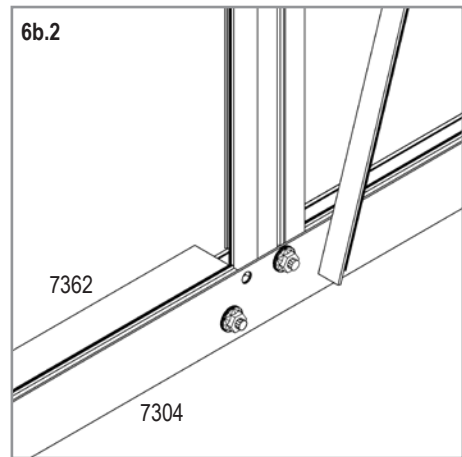
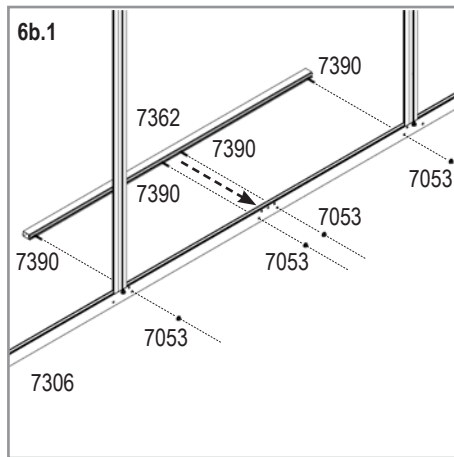
(7800)



(11500)

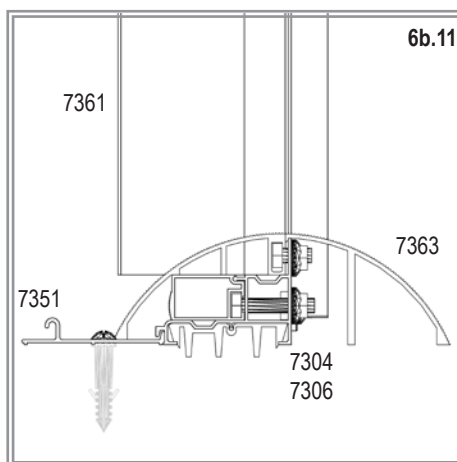
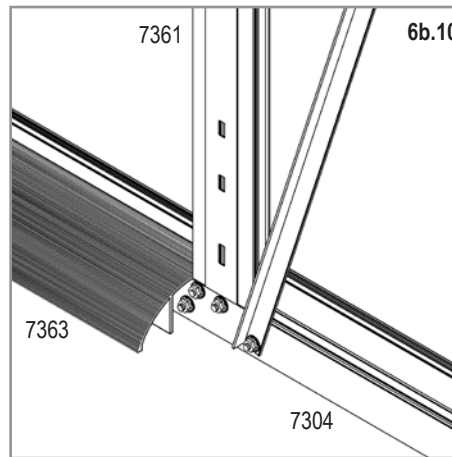
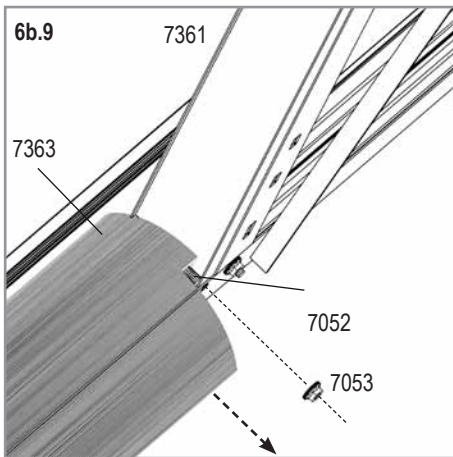
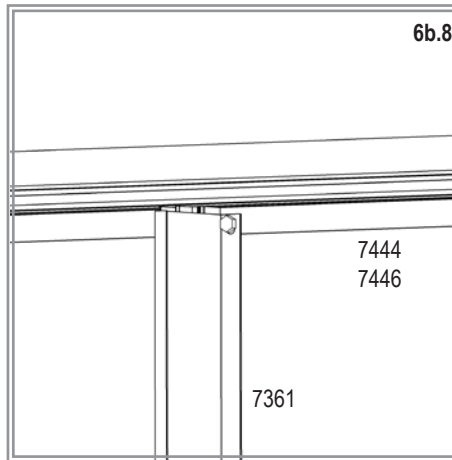
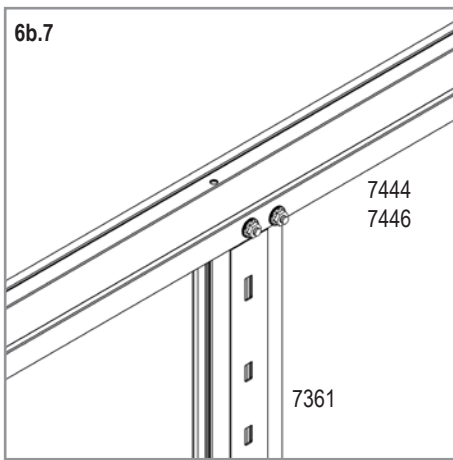
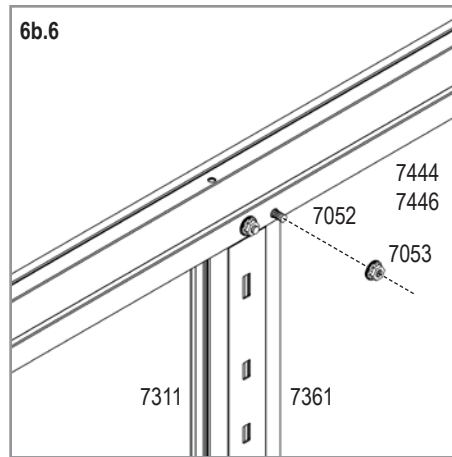
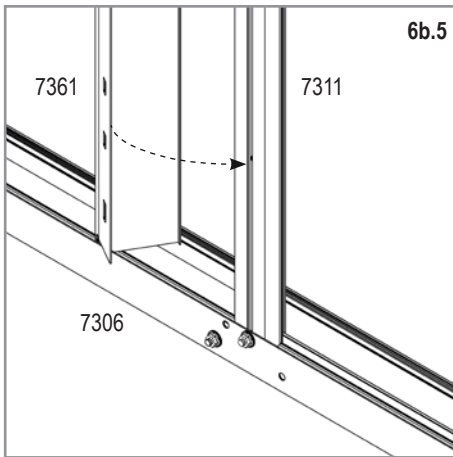


| All Models |  |
|------------|--|
| 2002<br>2x |  |
| 2003<br>2x |  |
| 7052<br>4x |  |
| 7053<br>8x |  |
| 7351<br>1x |  |
| 7361<br>2x |  |
| 7362<br>1x |  |
| 7363<br>1x |  |
| 7390<br>4x |  |

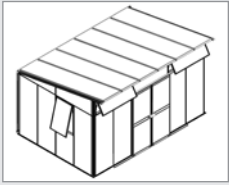


VM0042-A

# 6b



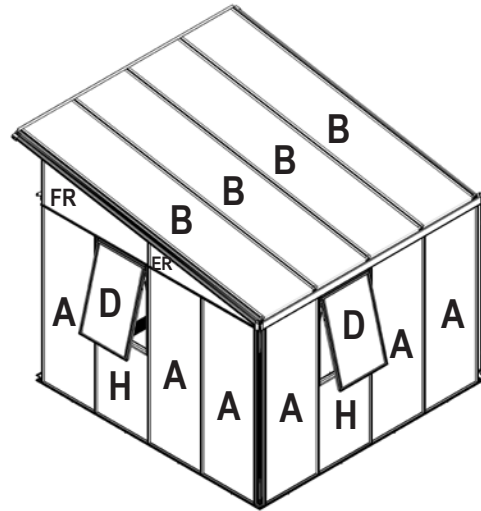
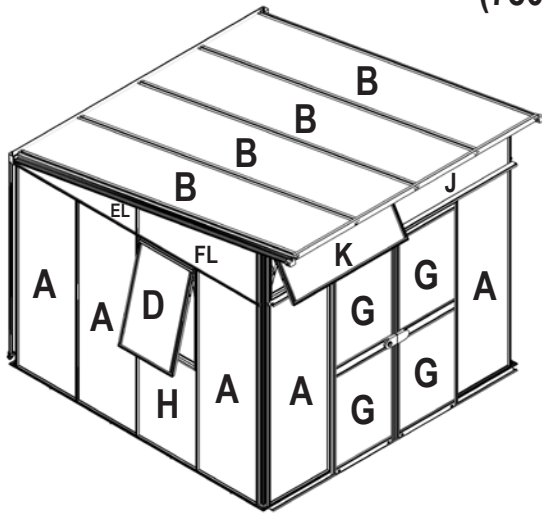
VM0042-A



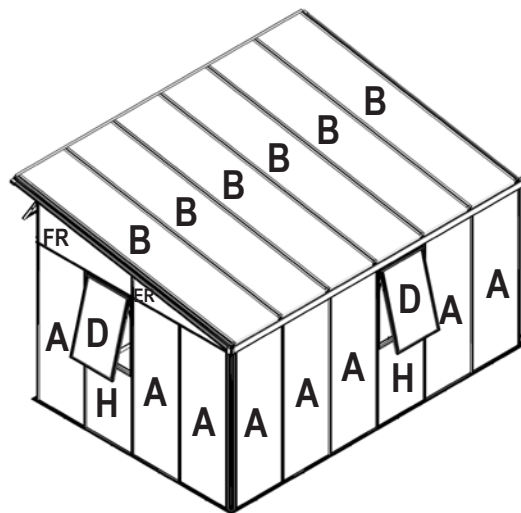
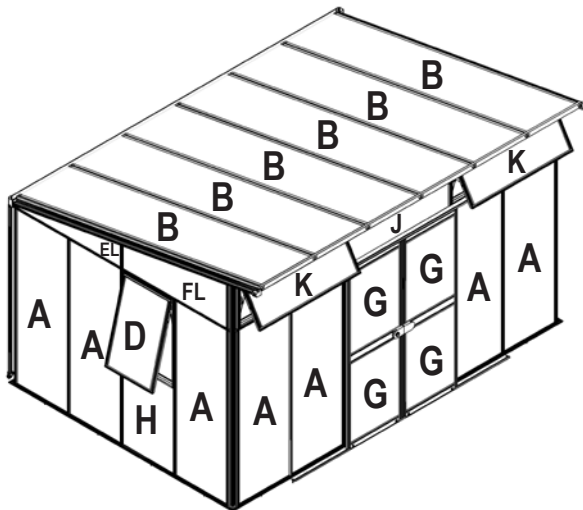
| 7.1   | GLASS    |                     | POLYCARBONATE |                     |          |                     | QUANTITY / MODEL |       |
|-------|----------|---------------------|---------------|---------------------|----------|---------------------|------------------|-------|
|       | ≤ 4 MM   |                     | 10 MM         |                     | 16 MM    |                     | 7800             | 11500 |
|       | ART. No. | MM                  | ART. No.      | MM                  | ART. No. | MM                  |                  |       |
| A     | 367850   | 610 x 1816          | 40000893      | 610 x 1816          | 40000894 | 610 x 1816          | 11x              | 15x   |
| B     | -        | -                   | 40000856      | 610 x 2926          | -        | -                   | 4x               | 6x    |
| D     | 40000657 | 555 x 870 x 4       | 369581        | 555 x 870           | 40000695 | 519 x 852           | 3x               | 3x    |
| EL    | 367851   | 1239 x<br>230/11.5  | 40000895      | 1239 x<br>230/11.5  | 40000896 | 1239 x<br>230/11.5  | 1x               | 1x    |
| ER    |          |                     | 40000897      |                     | 40000898 |                     | 1x               | 1x    |
| FL    | 367852   | 1239 x<br>452/233.5 | 40000899      | 1239 x<br>452/233.5 | 40000901 | 1239 x<br>452/233.5 | 1x               | 1x    |
| FR    |          |                     | 40000900      |                     | 40000902 |                     | 1x               | 1x    |
| G     | 367853   | 619 x 843 x 4       | 369586        | 619 x 843           | 369596   | 595 x 823           | 4x               | 4x    |
| H     | 40000658 | 610 x 895           | 40000696      | 610 x 895           | 40000697 | 610 x 895           | 3x               | 3x    |
| J     | 40000854 | 1239 x 475          | 40000857      | 1239 x 475          | 40000859 | 1239 x 475          | 1x               | 1x    |
| K     | 40000855 | 1182 x 411 x 4      | 40000858      | 1182 x 411          | 40000860 | 1149 x 393          | 1x               | 2x    |
| TOTAL |          |                     |               |                     |          |                     | 31x              | 38x   |

7

(7800)



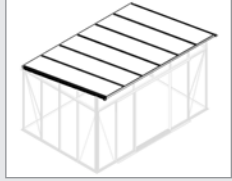
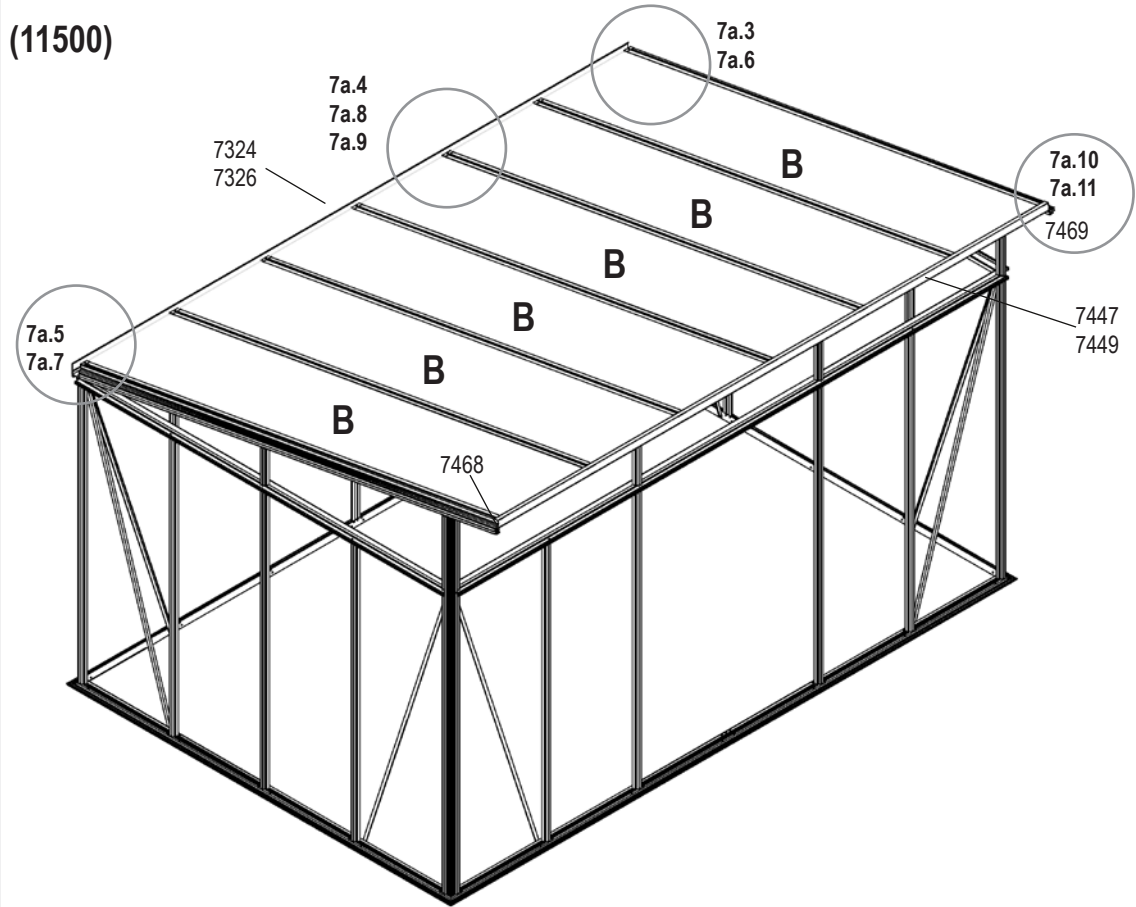
(11500)



VM0042-A

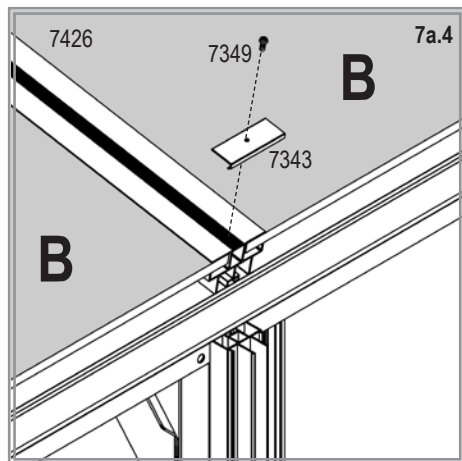
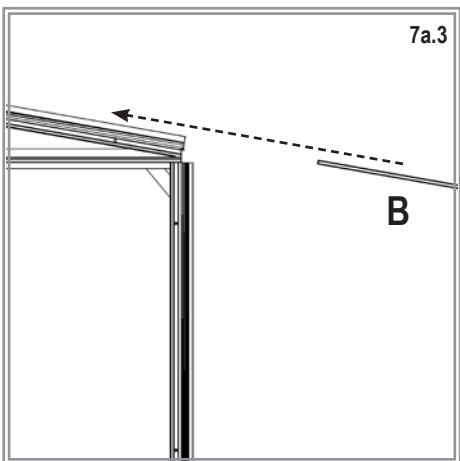
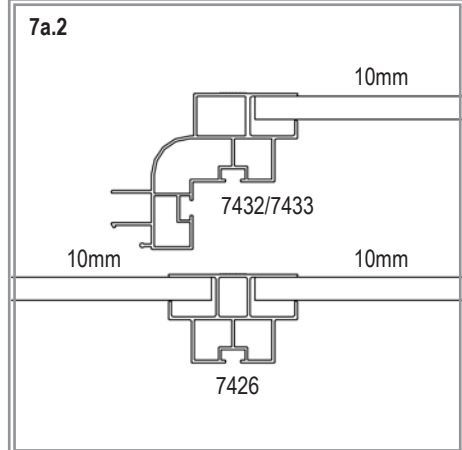
# 7a

(11500)



|      |       |
|------|-------|
| 7800 | 11500 |
| 7052 |       |
| 9x   | 13x   |
| 7053 |       |
| 9x   | 13x   |
|      |       |
| 7324 | 7326  |
| 1x   | 1x    |
| 7342 |       |
| 2x   | 2x    |
| 7343 |       |
| 3x   | 5x    |
| 7349 |       |
| 9x   | 13x   |
| 7424 |       |
| 4x   | 6x    |
| 7425 |       |
| 4x   | 6x    |
|      |       |
| 7447 | 7449  |
| 1x   | 1x    |
| 7468 |       |
| 1x   | 1x    |
| 7469 |       |
| 1x   | 1x    |

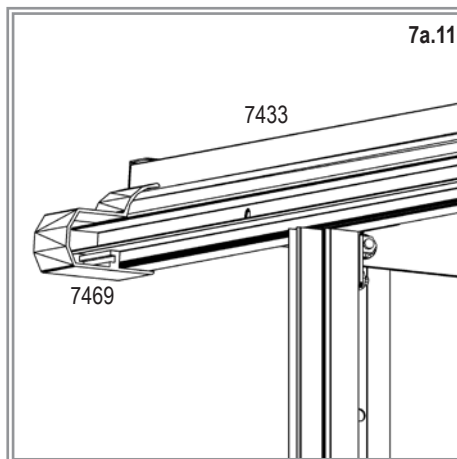
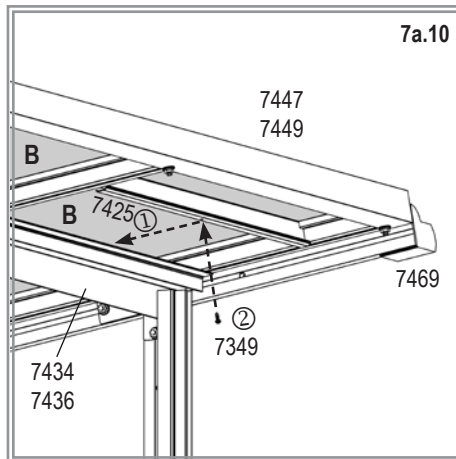
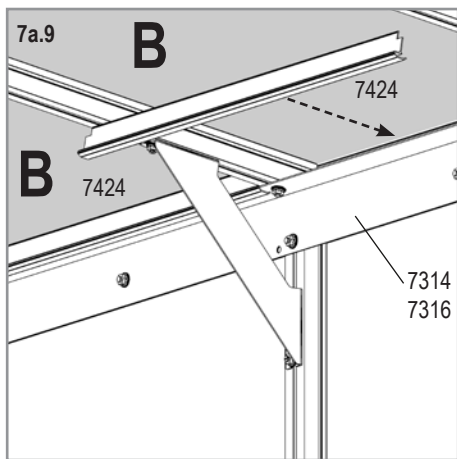
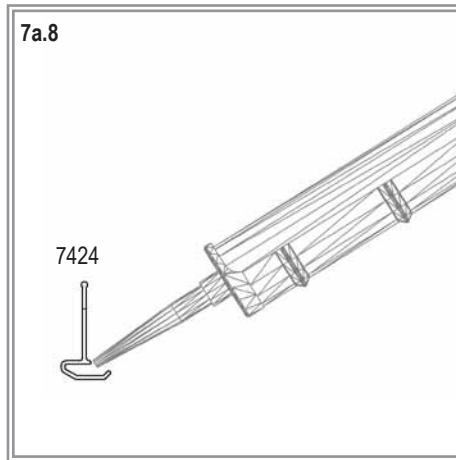
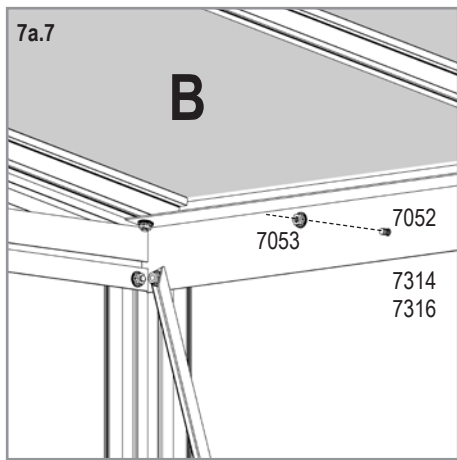
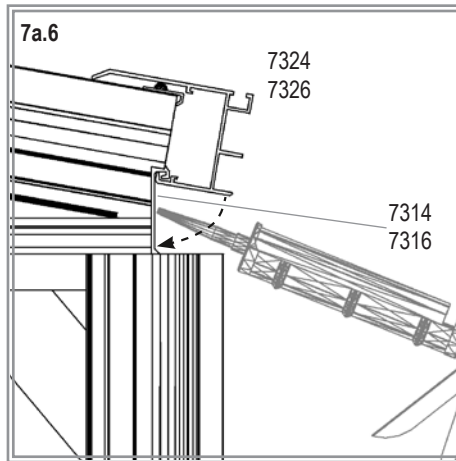
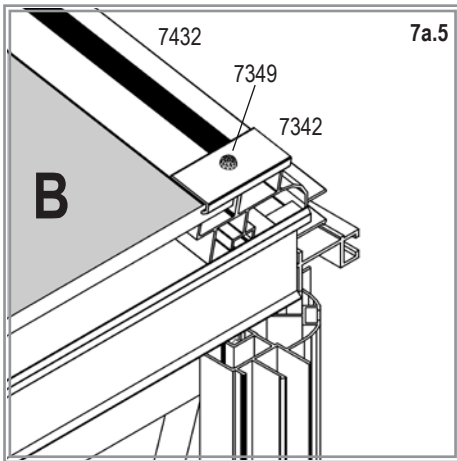
| 7a.1 | POLYCARBONATE |            | QUANTITY / MODEL |       |
|------|---------------|------------|------------------|-------|
|      | 10 MM         |            | 7800             | 11500 |
|      | ART. No.      | MM         |                  |       |
| B    | 40000856      | 610 x 2928 | 4x               | 6x    |



VM0042-A



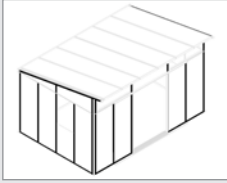
# 7a



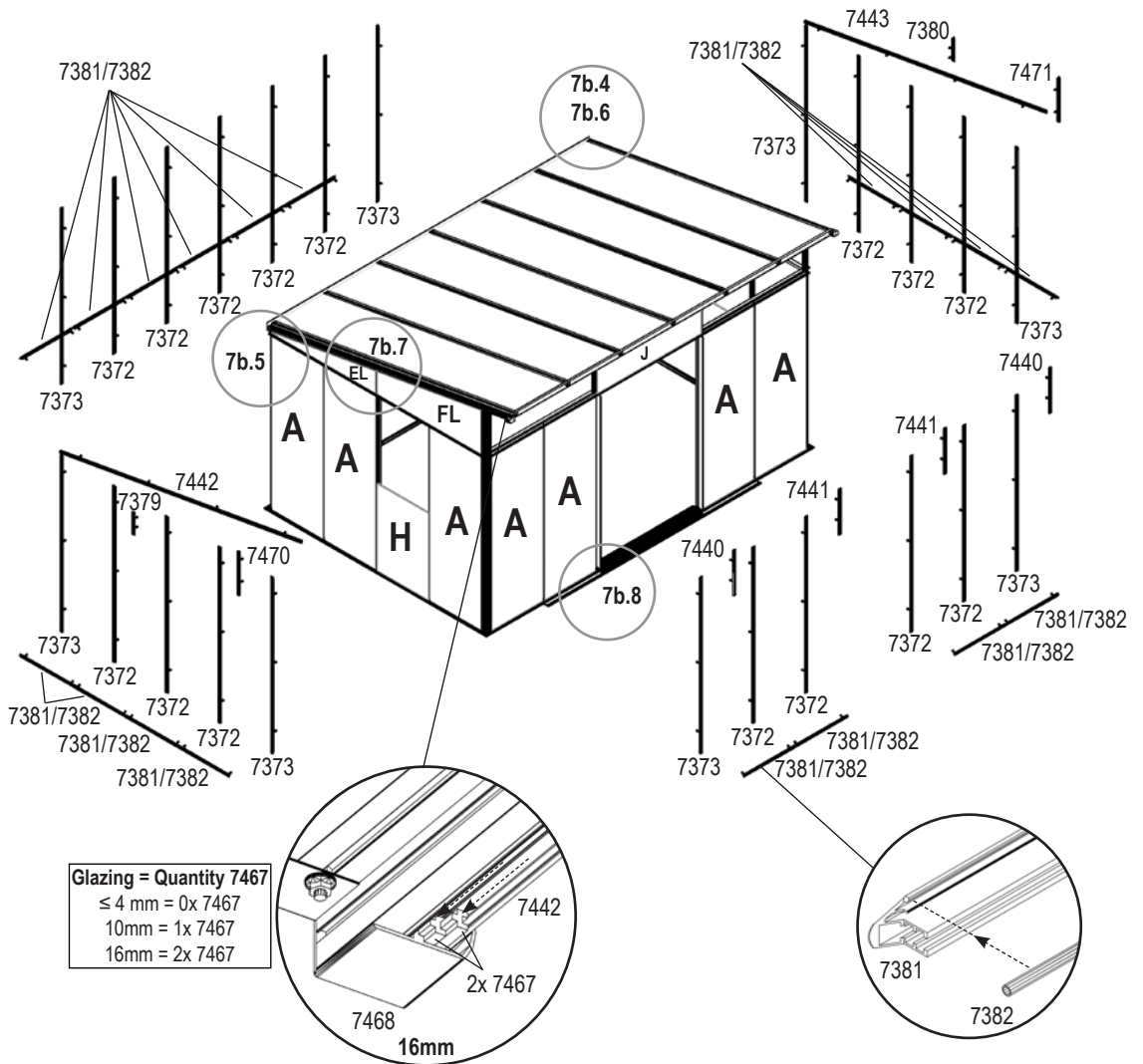
VM0042-A

# 7b

(11500)

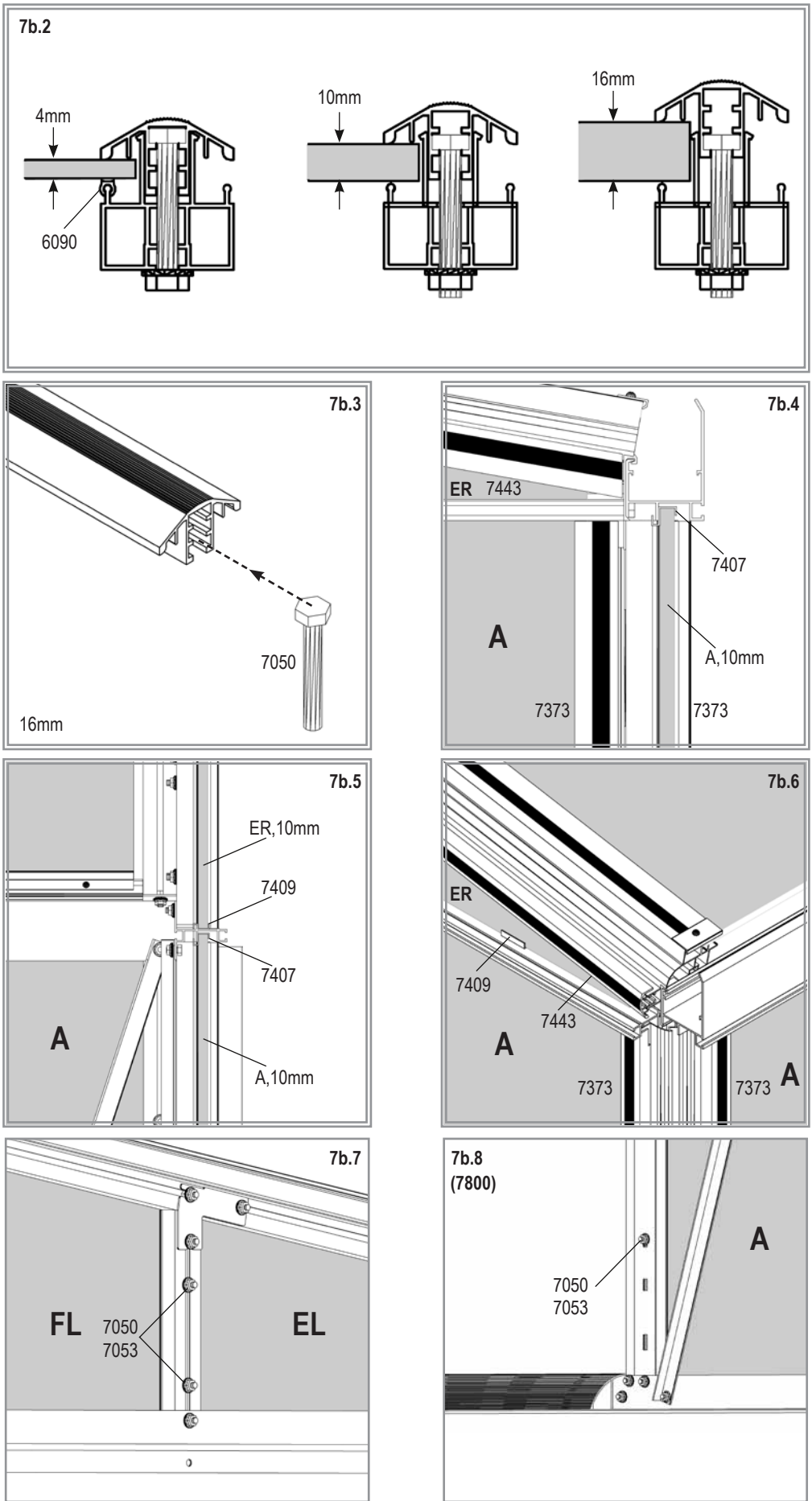


|                   |              |
|-------------------|--------------|
| <b>7800</b>       | <b>11500</b> |
| 7050              |              |
| 99x               | 121x         |
| 7053              |              |
| 99x               | 121x         |
| 7372              |              |
| 11x               | 15x          |
| 7381              |              |
| 14x               | 18x          |
| 7382              |              |
| 14x               | 18x          |
| 7407              |              |
| 14x               | 18x          |
| 7441              |              |
| 1x                | 2x           |
| <b>All Models</b> |              |
| 6090              |              |
| 1x                |              |
| 7373              |              |
| 8x                |              |
| 7379              |              |
| 1x                |              |
| 7380              |              |
| 1x                |              |
| 7409              |              |
| 10x               |              |
| 7440              |              |
| 2x                |              |
| 7442              |              |
| 1x                |              |
| 7443              |              |
| 1x                |              |
| 7467              |              |
| 4x                |              |
| 7470              |              |
| 1x                |              |
| 7471              |              |
| 1x                |              |
| <b>VM0042-A</b>   |              |



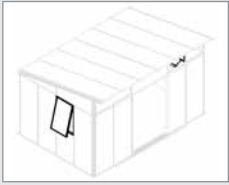
| 7b.1 | GLASS    |                  | POLYCARBONATE |                  |          |                  | QUANTITY / MODEL |       |
|------|----------|------------------|---------------|------------------|----------|------------------|------------------|-------|
|      | ≤ 4 MM   |                  | 10 MM         |                  | 16 MM    |                  | 7800             | 11500 |
|      | ART. No. | MM               | ART. No.      | MM               | ART. No. | MM               |                  |       |
| A    | 367850   | 610 x 1816       | 40000893      | 610 x 1816       | 40000894 | 610 x 1816       | 11x              | 15x   |
| EL   | 367851   | 1239 x 230/11.5  | 40000895      | 1239 x 230/11.5  | 40000896 | 1239 x 230/11.5  | 1x               | 1x    |
| ER   |          |                  | 40000897      |                  | 40000898 |                  | 1x               | 1x    |
| FL   | 367852   | 1239 x 452/233.5 | 40000899      | 1239 x 452/233.5 | 40000901 | 1239 x 452/233.5 | 1x               | 1x    |
| FR   |          |                  | 40000900      |                  | 40000902 |                  | 1x               | 1x    |
| H    | 40000658 | 610 x 895        | 40000696      | 610 x 895        | 40000697 | 610 x 895        | 3x               | 3x    |
| J    | 40000854 | 1239 x 475       | 40000857      | 1239 x 475       | 40000859 | 1239 x 475       | 1x               | 1x    |

# 7b



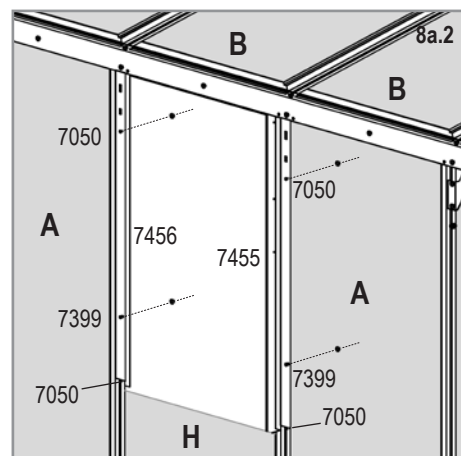
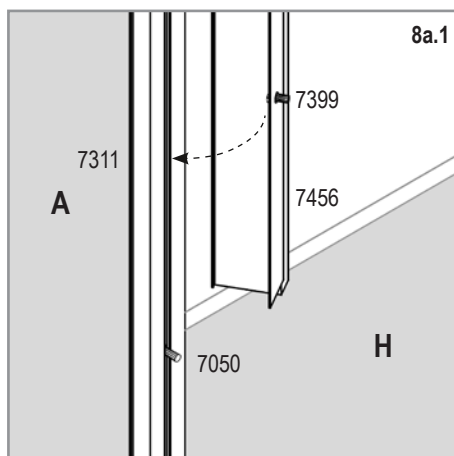
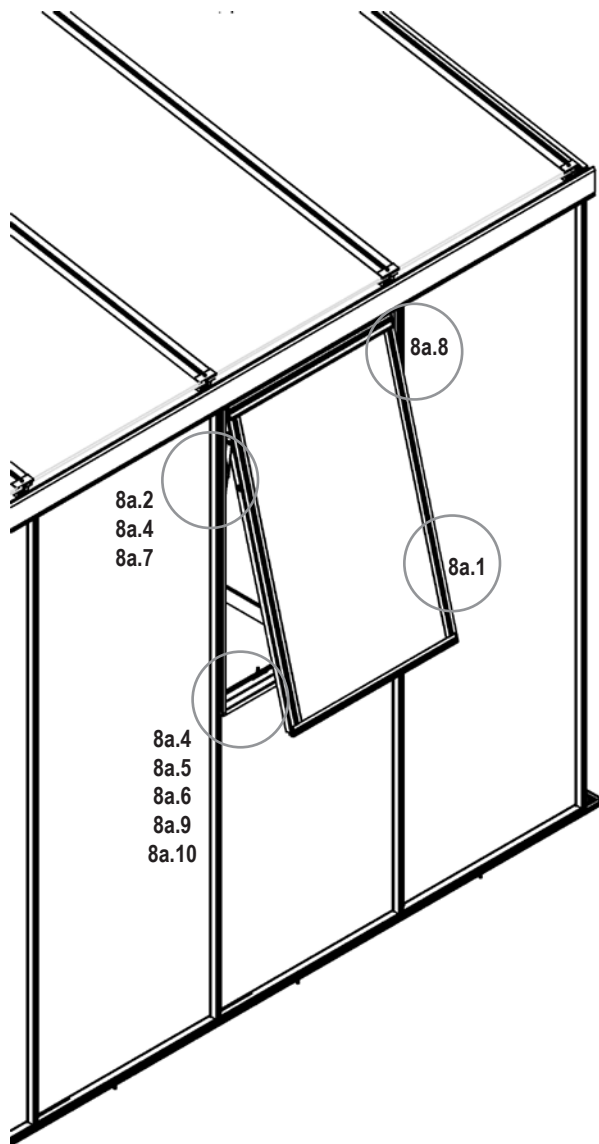
VM0042-A

# 8a



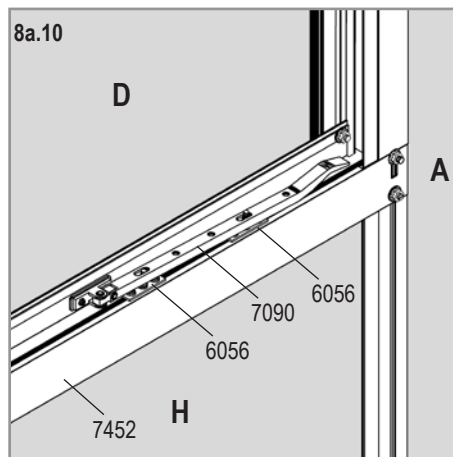
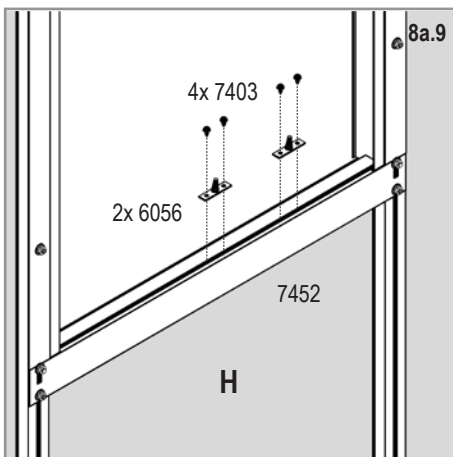
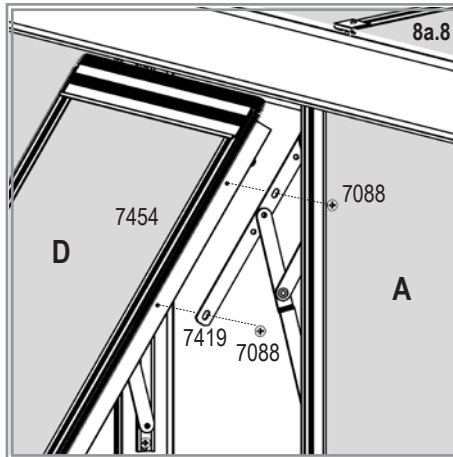
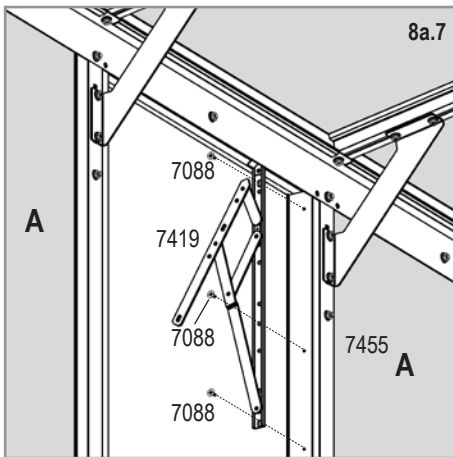
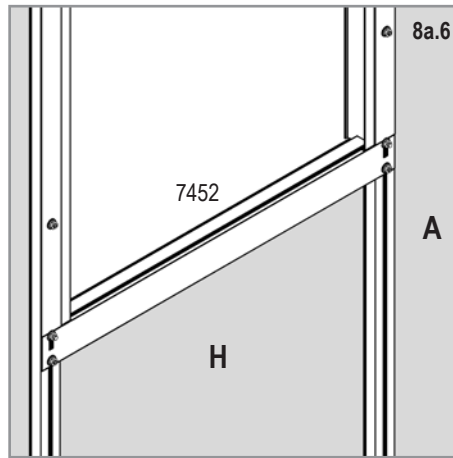
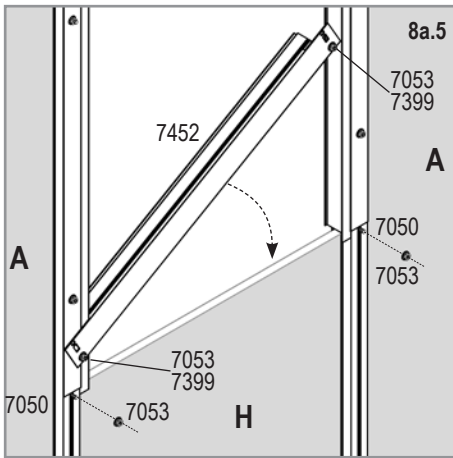
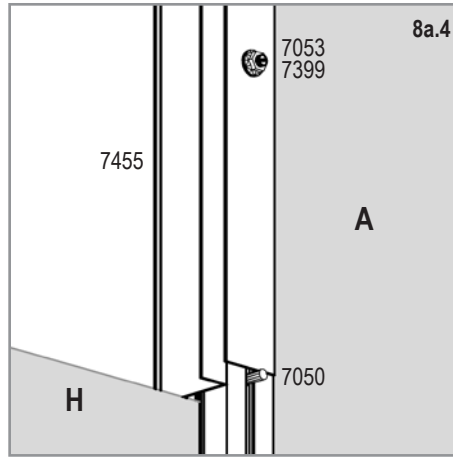
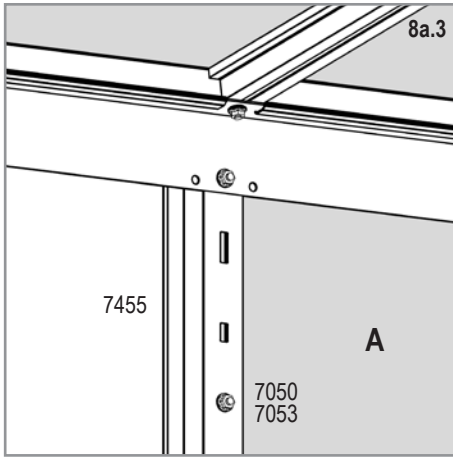
## All Models

|               |  |
|---------------|--|
| 6056<br>2x 3  |  |
| 7053<br>4x 3  |  |
| 7088<br>10x 3 |  |
| 7399<br>4x 3  |  |
| 7403<br>4x 3  |  |
| 7419<br>2x 3  |  |
| 7452<br>1x 3  |  |
| 7455<br>1x 3  |  |
| 7456<br>1x 3  |  |



VM0042-A

# 8a



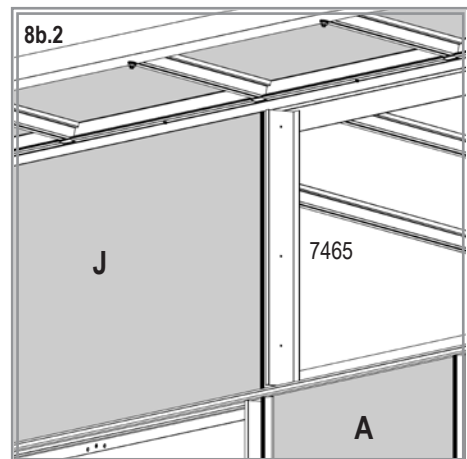
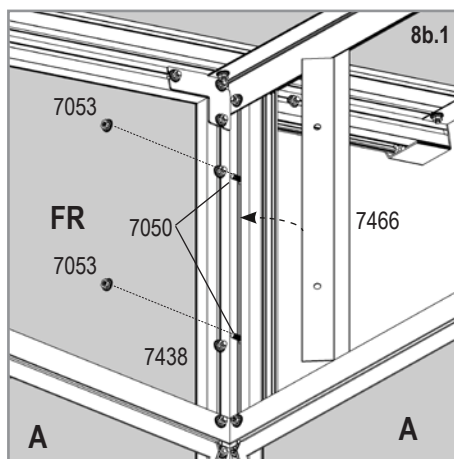
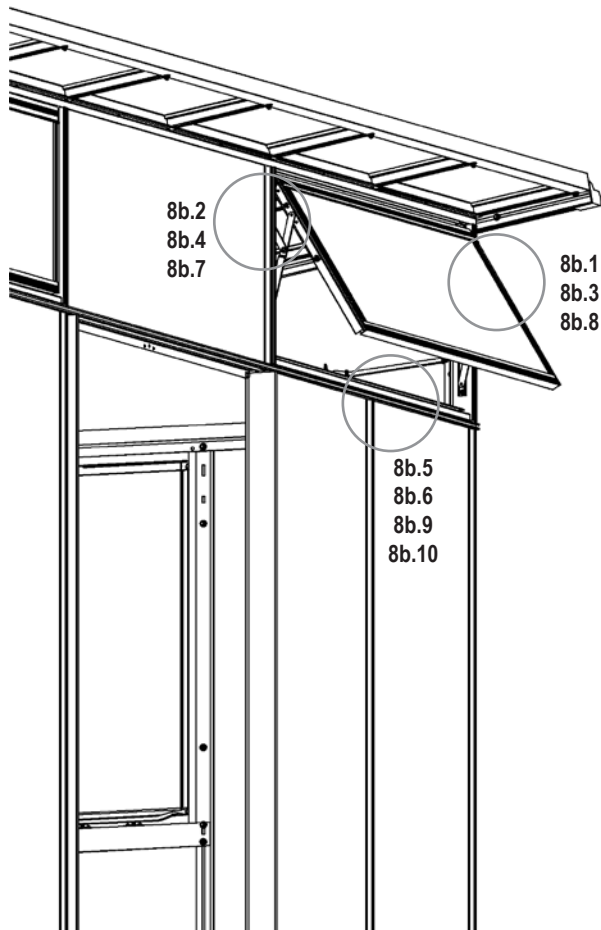
VM0042-A

# 8b



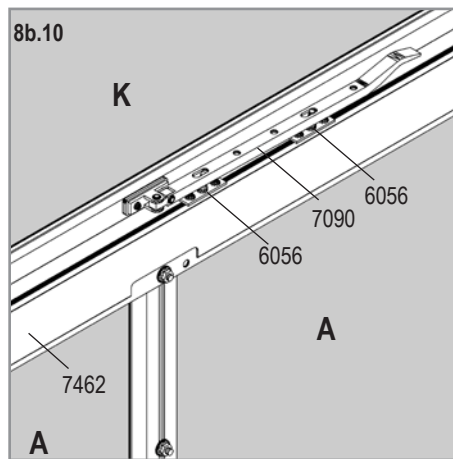
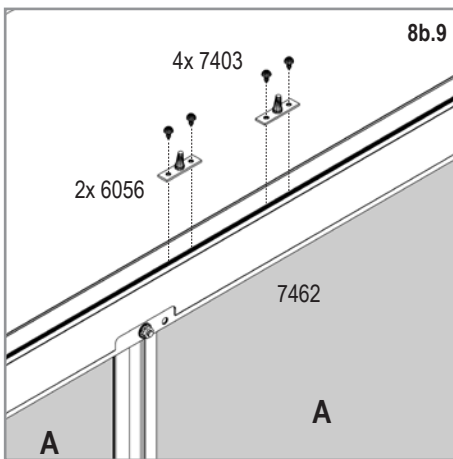
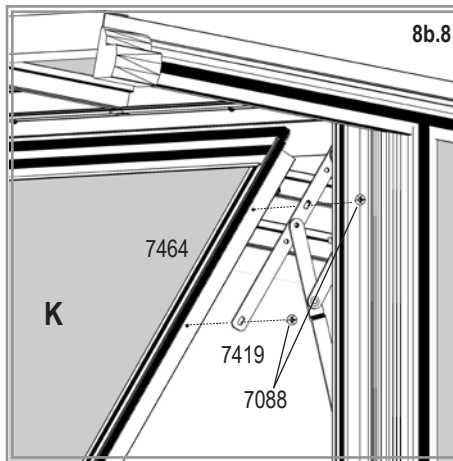
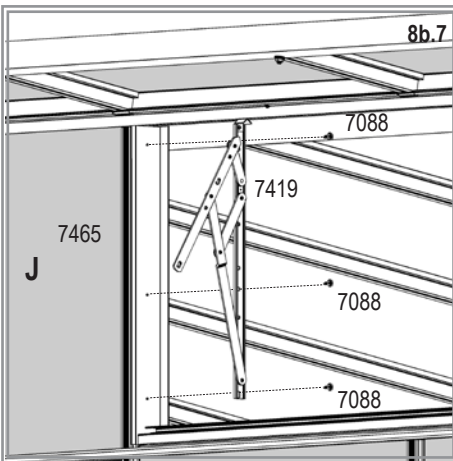
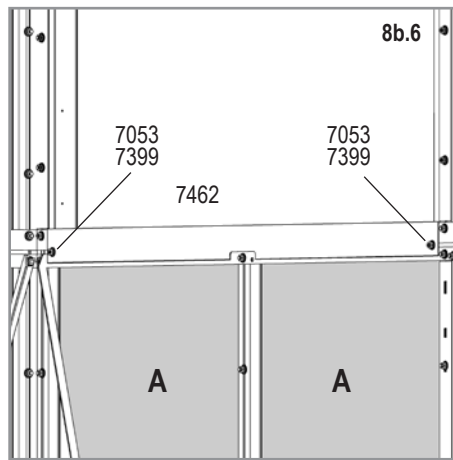
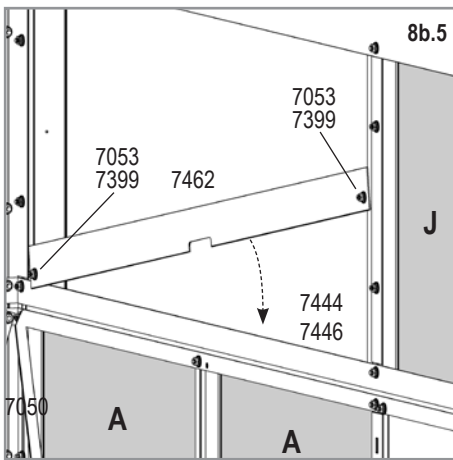
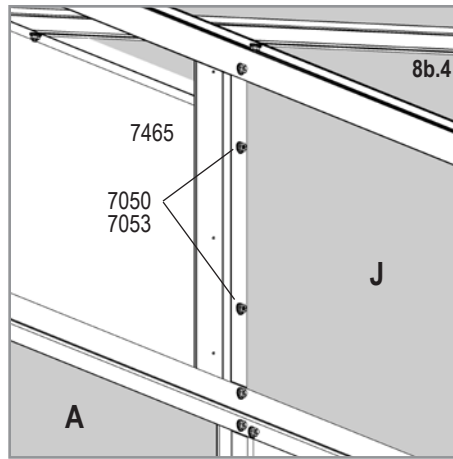
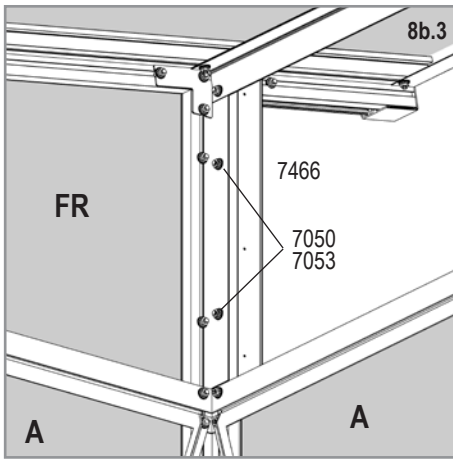
(11500)

|       |       |
|-------|-------|
| 7800  | 11500 |
| 1x    | 2x    |
| 6056  |       |
| 2x 1  | 2x 2  |
| 7053  |       |
| 2x 1  | 2x 2  |
| 7088  |       |
| 10x 1 | 10x 2 |
| 7399  |       |
| 2x 1  | 2x 2  |
| 7403  |       |
| 4x 1  | 4x 2  |
| 7419  |       |
| 2x 1  | 2x 2  |
| 7462  |       |
| 1x 1  | 1x 2  |
| 7465  |       |
| 1x 1  | 1x 2  |
| 7466  |       |
| 1x 1  | 1x 2  |



VM0042-A

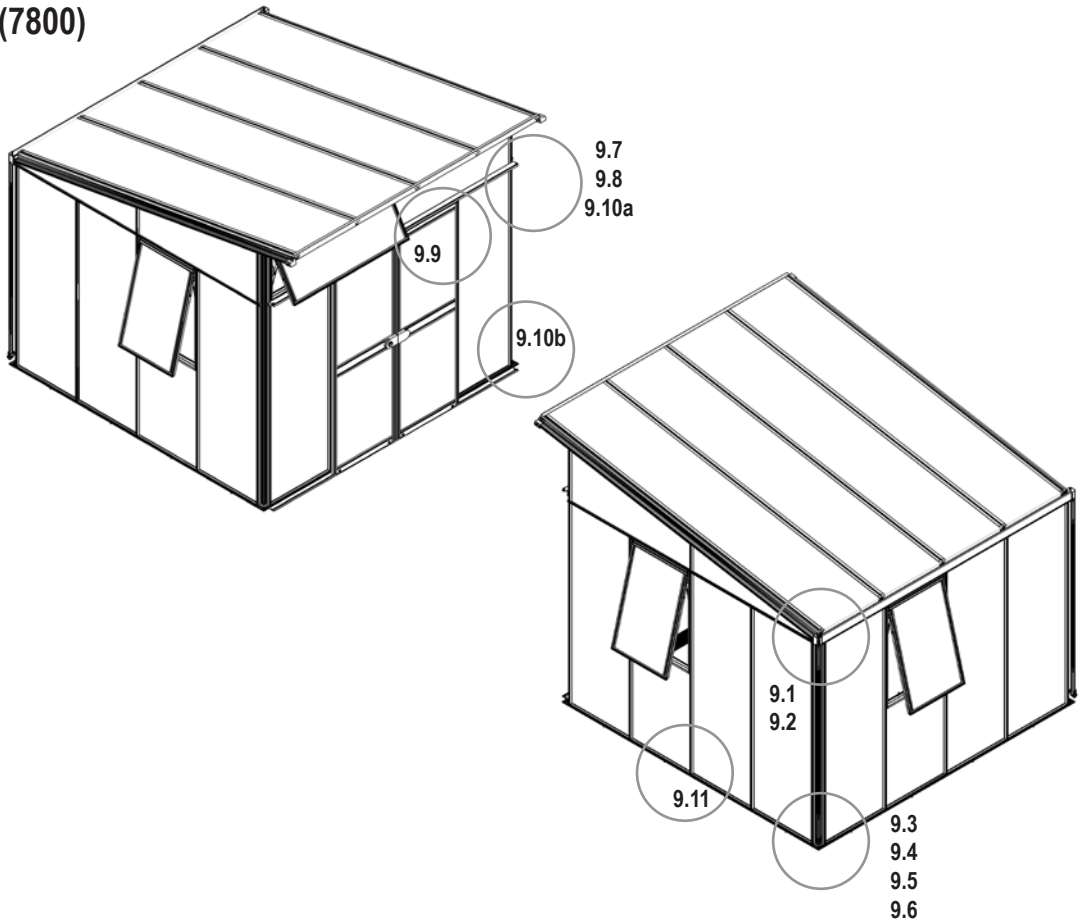
# 8b



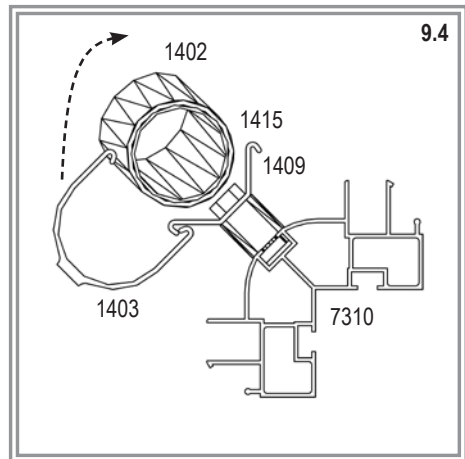
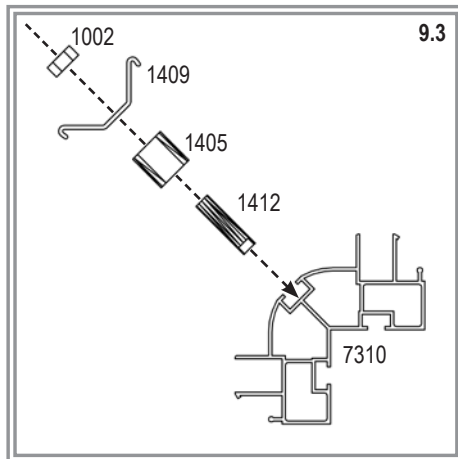
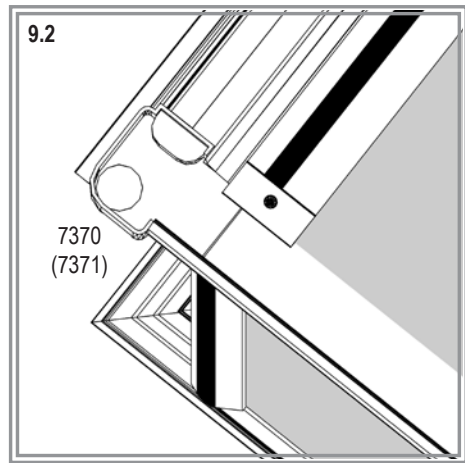
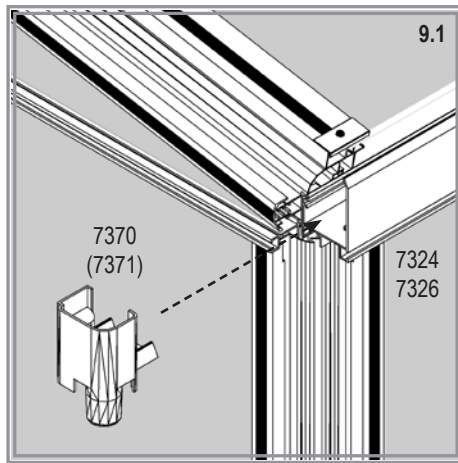
VM0042-A



(7800)



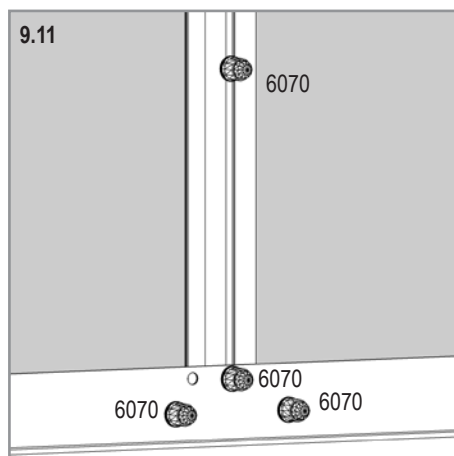
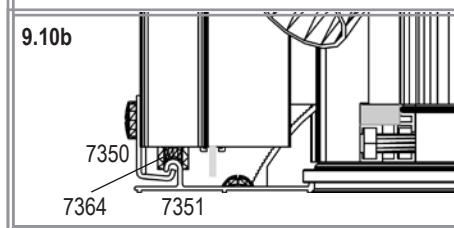
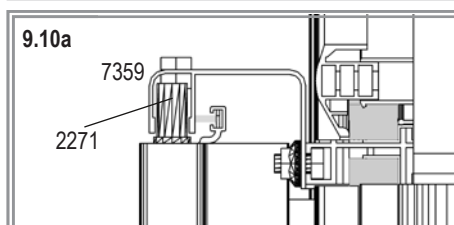
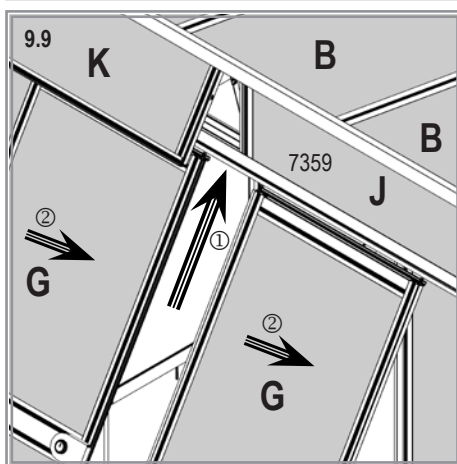
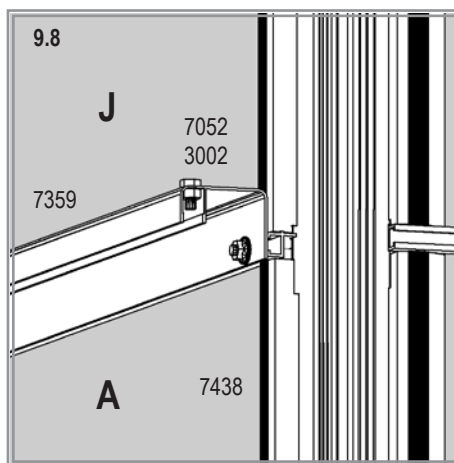
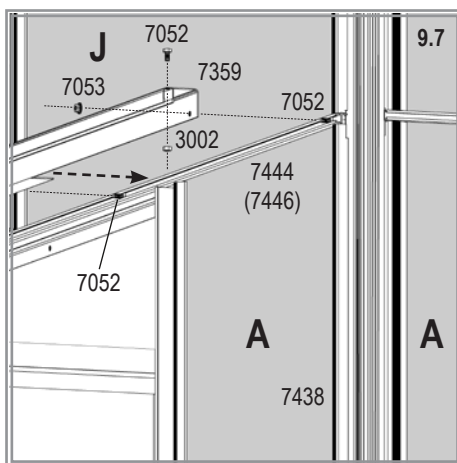
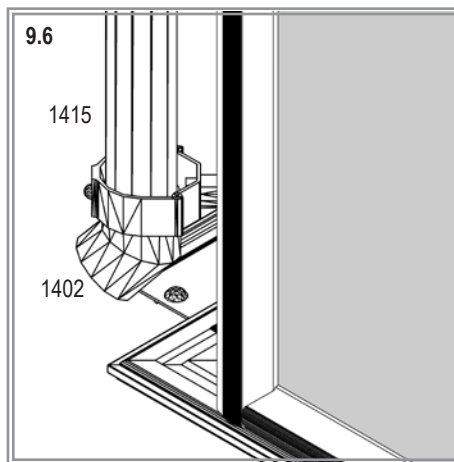
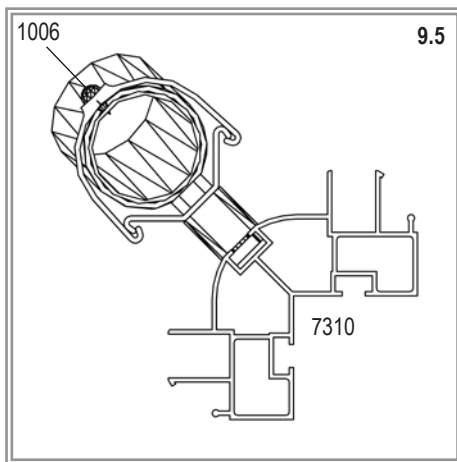
|                   |       |
|-------------------|-------|
| 7000              | 10200 |
| 6070              |       |
| 240x              | 290x  |
| <b>All Models</b> |       |
| 1002<br>2x        |       |
| 1006<br>2x        |       |
| 1402<br>2x        |       |
| 1403<br>2x        |       |
| 1405<br>2x        |       |
| 1409<br>2x        |       |
| 1412<br>2x        |       |
| 1415<br>2x        |       |
| 3002<br>2x        |       |
| 7052<br>6x        |       |
| 7053<br>4x        |       |
| 7359<br>1x        |       |
| 7370<br>1x        |       |
| 7371<br>1x        |       |



VM0042-A



# 9



VM0042-A







E.P.H. Schmidt & Co. GmbH  
Hoefkerstrasse 30  
44149 Dortmund  
Postfach 170163  
44060 Dortmund  
Deutschland  
Tel.: +49 231 941655 0  
Fax: +49 231 941655 99  
[www.eph-schmidt.de](http://www.eph-schmidt.de)  
[verkauf@eph-schmidt.de](mailto:verkauf@eph-schmidt.de)

OPJ A/S  
Volderslevvej 36 A  
5260 Odense S  
Danmark  
Tel.: +45 66 15 10 30  
Fax: +45 66 15 00 84  
[www.opj.dk](http://www.opj.dk)  
[opj@opj.dk](mailto:opj@opj.dk)

# EN Assembly instructions

DE Montageanleitung

FI Kokoonpano-ohjeet

HR Skupština Upute

FR Notice de Montage

IT Istruzioni di Montaggio

BS Skupština Uputstvo

NL Montage Instructies

CS Montážní Návod

RO Instrucțiuni de Asamblare

DA Montagevejledning

PL Instrukcja Montażu

RU Инструкция по Монтажу

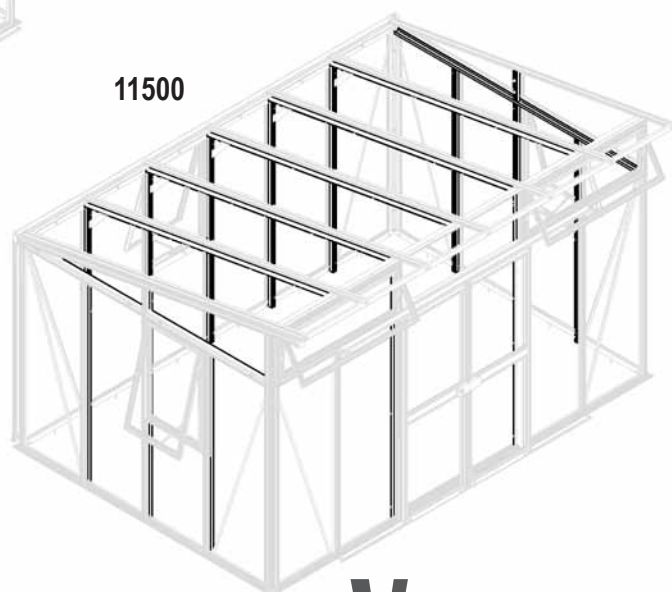
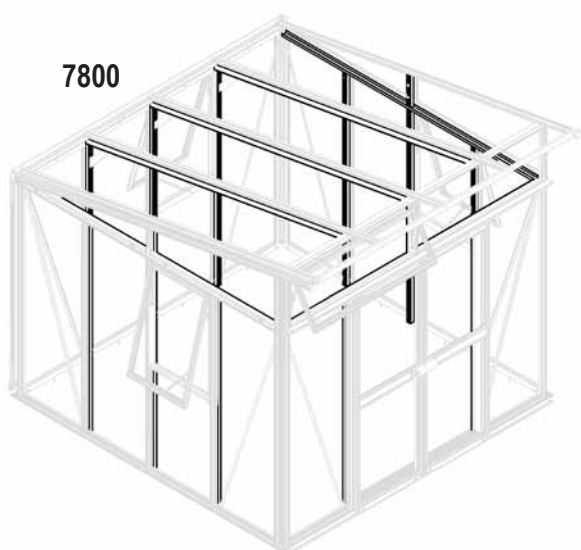
SV Monteringsanvisning

SL Navodila za Montažo

UK Інструкція по монтажу

NO Montasjeveiledning

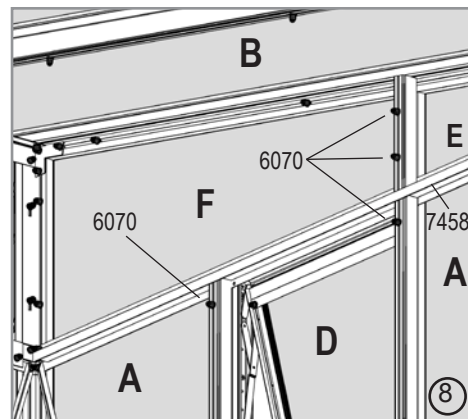
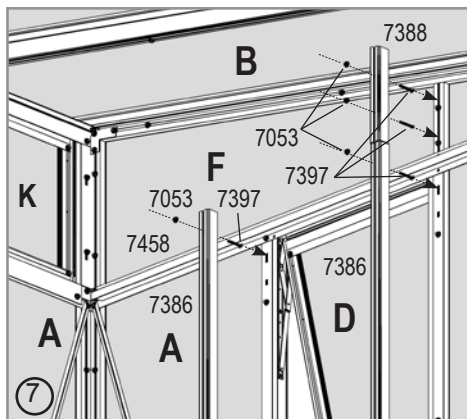
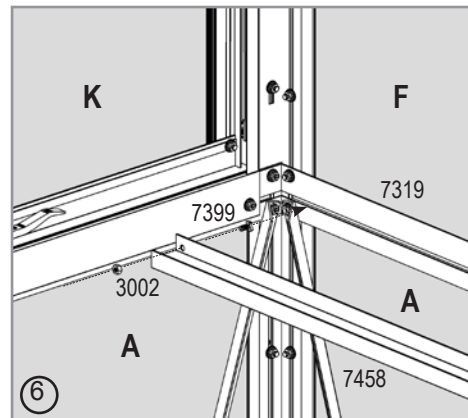
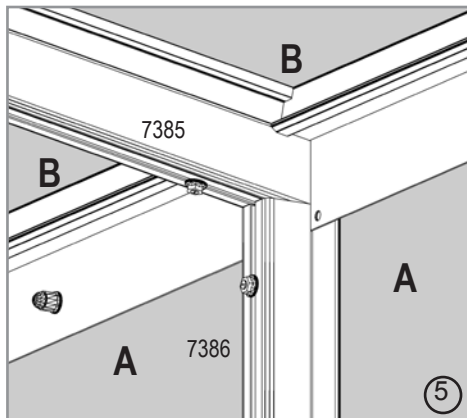
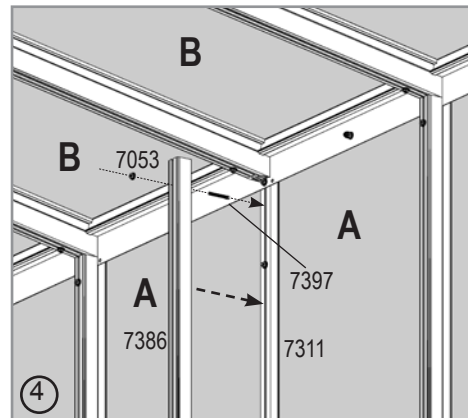
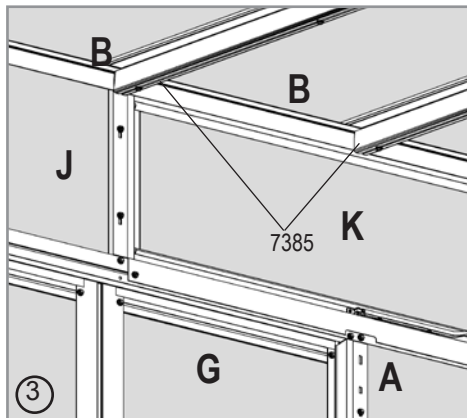
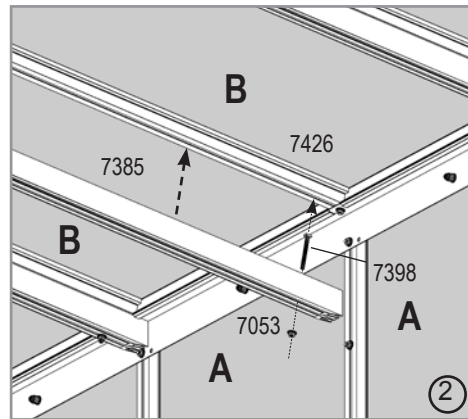
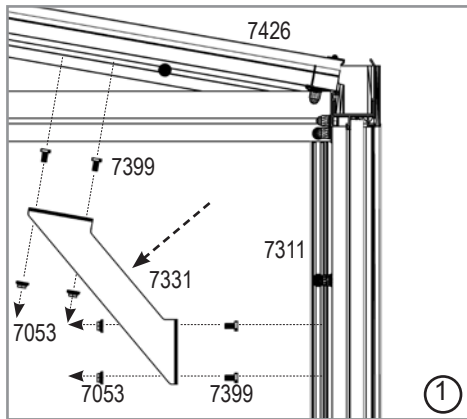
HU Szerelési útmutató

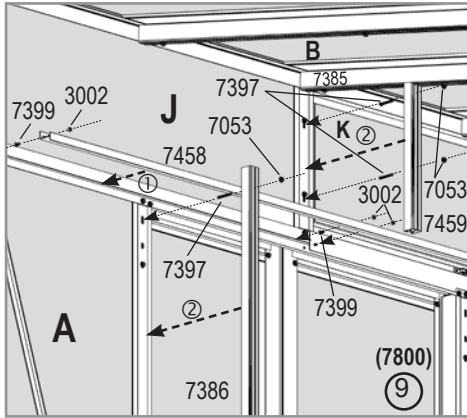


**Vitavía**  
- makes living grow

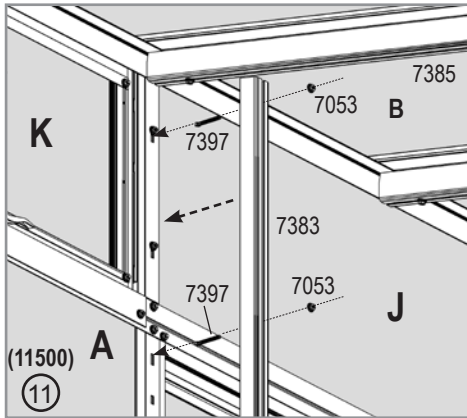
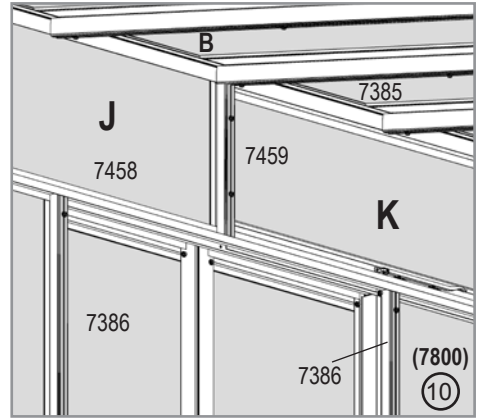
## VA0028-AS

(VM0042-A)

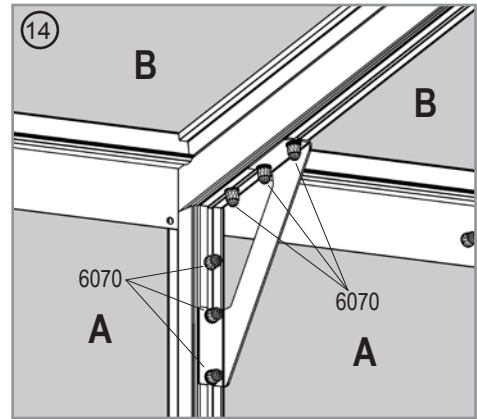
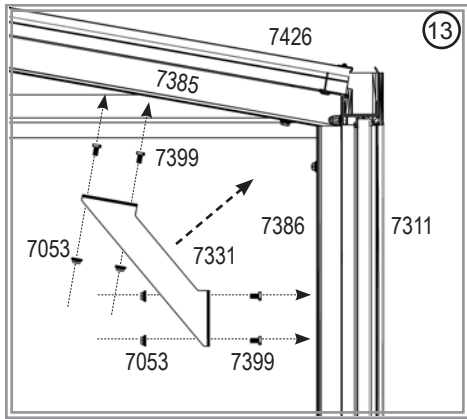
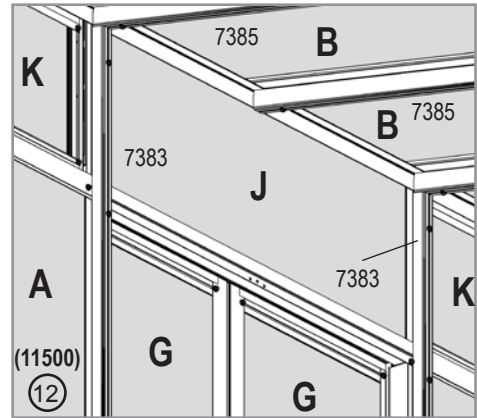












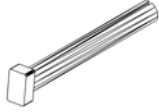
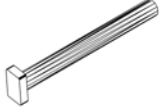
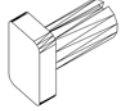
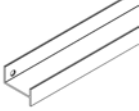

- (7800) -



- (11500) -



| Item No. | Part   | Size mm | Quantity |       |
|----------|--|---------|----------|-------|
|          |  |         | 7800     | 11500 |
| 3002     |   | M6      | 12x      | 8x    |
| 6070     |   | Ø 13.5  | 63x      | 73x   |
| 7053     |   | M6      | 51x      | 65x   |
| 7383     |   | 2270    | -        | 2x    |
| 7385     |   | 2589    | 3x       | 5x    |
| 7386     |   | 1828    | 11x      | 11x   |
| 7388     |  | 272.5   | 1x       | 1x    |

| Item No. | Part  | Size mm | Quantity |       |
|----------|---|---------|----------|-------|
|          |   |         | 7800     | 11500 |
| 7389     |  | 272.5   | 1x       | 1x    |
| 7397     |  | M6 x 45 | 39x      | 45x   |
| 7398     |  | M6 x 60 | 12x      | 20x   |
| 7399     |  | M6 x 12 | 12x      | 8x    |
| 7458     |  | 2465    | 3x       | 2x    |
| 7459     |  | 441     | 1x       | -     |



E.P.H. Schmidt u. Co. GmbH  
 Hoefkerstrasse 30  
 44149 Dortmund  
 Postfach 170163  
 44060 Dortmund  
 Deutschland  
 Tel.: +49 231 941655 0  
 Fax: +49 231 941655 99  
 www.eph-schmidt.de  
 verkauf@eph-schmidt.de

OPJ A/S  
 Volderslevvej 36 A  
 5260 Odense S  
 Danmark  
 Tel.: +45 66 15 10 30  
 Fax: +45 66 15 00 84  
 www.opj.dk  
 opj@opj.dk

**VA0028-AS**



# **(EN) Assembly instructions**

**(DE) Montageanleitung**

**(DA) Montagevejledning**

**(IT) Istruzioni di Montaggio**

**(FR) Notice de Montage**

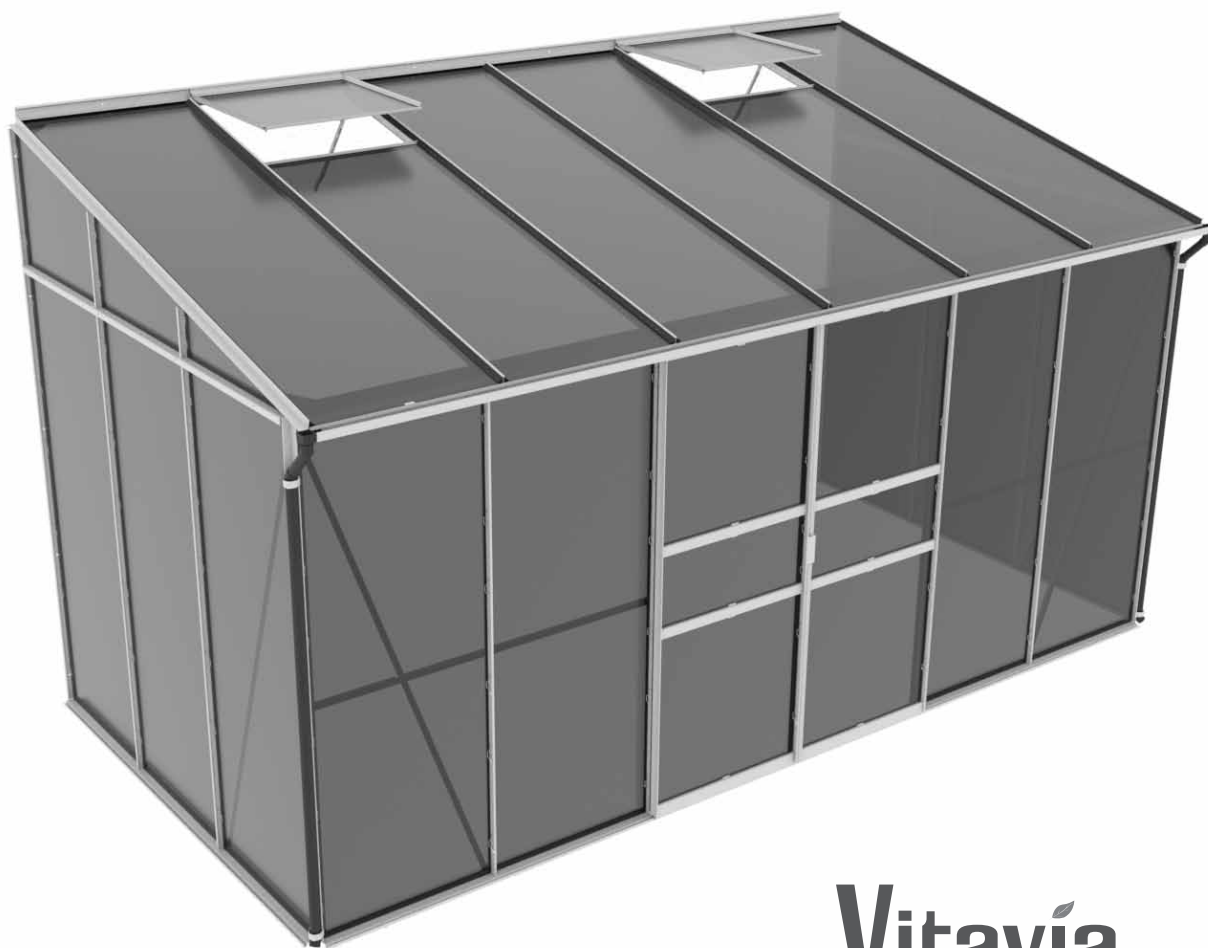
**(SV) Monteringsanvisning**

**(PL) Instrukcja Montażu**

**(NL) Montage Instructies**

**(FI) Kokoonpano-ohjeet**

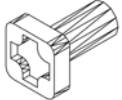

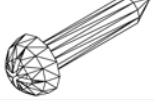

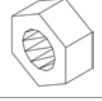


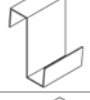





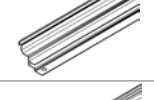
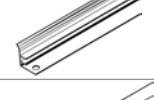


**(SL) Navodila za Montažo**

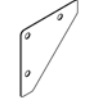
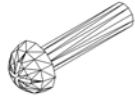


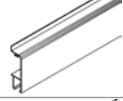
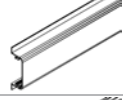
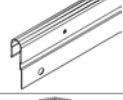
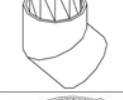

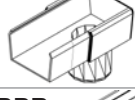

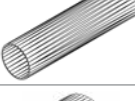

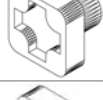

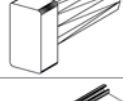



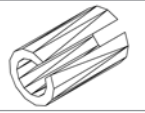
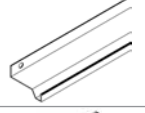
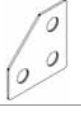



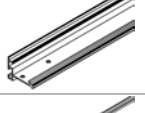

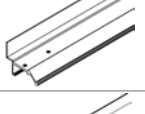
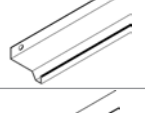
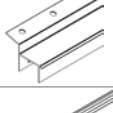
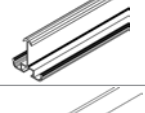
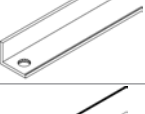
**Vitavia**  
- makes living grow

---

**VM0028-I**  
**5200, 6500, 7800**

| Item No. | Part  | Sect. Ref. | Size mm                 | Quantity per |              |              |
|----------|---|------------|-------------------------|--------------|--------------|--------------|
|          |   |            |                         | 5200         | 6500         | 7800         |
| 1001     |                  | 1-6        | M6 x 12                 | 128x         | 141x         | 150x         |
| 1002     |                  | 1-6        | M6                      | 129x         | 142x         | 151x         |
| 1003     |                  | 5          | 3.5 x 16                | 32x          | 32x          | 32x          |
| 1006     |                  | 6<br>8     | 3.5 x 6                 | 10x          | 16x          | 16x          |
| 1007     |                  | 5          | M4                      | 4x           | 4x           | 4x           |
| 1009     |                  | 5          | Ø8/4                    | 4x           | 4x           | 4x           |
| 1011     |                 | 7          | 70                      | 230x         | 260x         | 300x         |
| 1012     |                | 7A         | 11                      | 35x          | 40x          | 44x          |
| 1014     |                | 5          | 20                      | 4x           | 4x           | 4x           |
| 1015     |                | 5          | Ø22                     | 4x           | 4x           | 4x           |
| 1019     |                | 6          | 15                      | 1x           | 2x           | 2x           |
| 1020     | <b>PVC</b><br> | 7          | 60000<br>68000<br>76000 | 1x<br>-<br>- | -<br>1x<br>- | -<br>-<br>1x |
| 1063     |                | 6          | 635                     | 1x           | 2x           | 2x           |
| 1064     |                | 6          | 602                     | 1x           | 2x           | 2x           |
| 1065     |                | 6          | 520                     | 2x           | 4x           | 4x           |
| 1066     |                | 6          | 602                     | 1x           | 2x           | 2x           |
| 1067     |                | 6          | 295                     | 1x           | 2x           | 2x           |

| Item No. | Part   | Sect. Ref. | Size mm | Quantity per |      |      |
|----------|--|------------|---------|--------------|------|------|
|          |  |            |         | 5200         | 6500 | 7800 |
| 1092     |                  | 1<br>2     | 120     | 8x           | 8x   | 8x   |
| 1304     |                  | 5          | M4 x 18 | 4x           | 4x   | 4x   |
| 1347     |                  | 5          | 1257    | 2x           | 2x   | 2x   |
| 1359     |                  | 5          | 621     | 2x           | 2x   | 2x   |
| 1360     |                  | 5          | 621     | 2x           | 2x   | 2x   |
| 1361     |                  | 5          | 621     | 4x           | 4x   | 4x   |
| 1362     |                 | 5          | 613     | 2x           | 2x   | 2x   |
| 1402     |                | 8          | 36      | 6x           | 6x   | 6x   |
| 1403     |                | 8          | 20      | 4x           | 4x   | 4x   |
| 1408     |                | 8          | 75      | 2x           | 2x   | 2x   |
| 1413     | <b>PPR</b><br> | 8          | 1470    | 2x           | 2x   | 2x   |
| 1416     |                | 8          | 126     | 2x           | 2x   | 2x   |
| 1417     |                | 8          | 20      | 2x           | 2x   | 2x   |
| 1500     |                | 5          | M6 x 5  | 4x           | 4x   | 4x   |
| 1515     |                | 5          | M6      | 4x           | 4x   | 4x   |
| 2001     |                | 5BR        | M6 x 12 | 1x           | 1x   | 1x   |
| 2005     |                | 5BL        | 100     | 1x           | 1x   | 1x   |

| Item No.             | Part  | Sect. Ref. | Size mm              | Quantity per |              |              |
|----------------------|---|------------|----------------------|--------------|--------------|--------------|
|                      |   |            |                      | 5200         | 6500         | 7800         |
| 2006                 |            | 5BL        | 10                   | 2x           | 2x           | 2x           |
| 2016                 |            | 6          | 40                   | 2x           | 4x           | 4x           |
| 2046                 |            | 1          | 2484                 | 1x           | -            | -            |
| 2092                 |            | 1<br>2     | 37                   | 4x           | 4x           | 4x           |
| 2096                 |            | 2          | 619                  | 2x           | 2x           | 2x           |
| 2097                 |            | 1<br>2     | 619                  | 2x           | 2x           | 2x           |
| 3021                 | <br>Nylon | 5          | 1800                 | 4x           | 4x           | 4x           |
| 3094                 |          | 1          | 1241                 | 1x           | 1x           | 1x           |
| 3097                 |          | 1          | 1241                 | 1x           | 1x           | 1x           |
| 4059                 |          | 5          | 1630                 | 4x           | 4x           | 4x           |
| 4098                 |          | 5BL        | 1630                 | 1x           | 1x           | 1x           |
| 4099                 |          | 5BR        | 1630                 | 1x           | 1x           | 1x           |
| 4222                 |          | 1          | 3106                 | -            | 1x           | -            |
| 4223                 |          |            | 3728                 | -            | -            | 1x           |
| 4227<br>4228<br>4229 |          | 1          | 2484<br>3106<br>3728 | 1x<br>-<br>- | -<br>1x<br>- | -<br>-<br>1x |
| 4232                 |          | 1<br>2     | 1670                 | 7x           | 8x           | 9x           |
| 4233                 |          | 1<br>2     | 1716.5               | 4x           | 4x           | 4x           |
| 4236                 |          | 1          | 1670                 | 2x           | 2x           | 2x           |

| Item No.                                | Part   | Sect. Ref. | Size mm              | Quantity per |              |              |
|---|--|------------|----------------------|--------------|--------------|--------------|
|   |  |            |                      | 5200         | 6500         | 7800         |
| 4237                                    |          | 2          | 2035                 | 1x           | 1x           | 1x           |
| 4238                                    |          | 2          | 2035                 | 1x           | 1x           | 1x           |
| 4241                                    |          | 2          | 314                  | 1x           | 1x           | 1x           |
| 4242                                    |          | 2          | 314                  | 1x           | 1x           | 1x           |
| 4243                                    |          | 2          | 159                  | 1x           | 1x           | 1x           |
| 4244                                    |          | 2          | 159                  | 1x           | 1x           | 1x           |
| 4248                                    |         | 2          | 2139.5               | 1x           | 1x           | 1x           |
| 4249                                    |        | 2          | 2139.5               | 1x           | 1x           | 1x           |
| 4251<br>4252<br>4253                    |        | 2          | 2484<br>3106<br>3728 | 1x<br>-<br>- | -<br>1x<br>- | -<br>-<br>1x |
| 4255                                    |        | 3          | 2013.5               | 3x           | 4x           | 5x           |
| 4261                                    |        | 2          | 1859.5               | 1x           | 1x           | 1x           |
| 4262                                    |        | 2          | 1859.5               | 1x           | 1x           | 1x           |
| 4264<br>4265<br>4266                    |        | 3          | 2484<br>3106<br>3728 | 1x<br>-<br>- | -<br>1x<br>- | -<br>-<br>1x |
| 4270                                    |        | 3          | 1936                 | 3x           | 4x           | 5x           |
| 4296                                    |        | 1          | 638                  | -            | 1x           | 1x           |
| 5546                                    |        | 2          | 1862                 | 2x           | 2x           | 2x           |
| * 6600<br>(Included<br>with<br>Glazing) | <br>PC | 7A         | 2013                 | 8x           | 10x          | 12x          |

# Safety Warning

- PLEASE READ THESE INSTRUCTIONS CAREFULLY AND COMPLETELY BEFORE ASSEMBLING YOUR GREENHOUSE.**
- Sharp edges and corners can cause injury. Always wear protective glasses, gloves, shoes and headgear when handling the aluminium profiles, glass and polycarbonate sheets. Broken glass is a safety hazard – always clear up immediately and dispose of with care.
- The product you have purchased is intended only for growing plants and should only be used for this purpose. When used for other purposes we will take no responsibility.
- It is recommended that this greenhouse is assembled by two people.
- Should you encounter difficulties constructing this house, or in fitting the glass or polycarbonate sheets, please contact your retailer  
– **do not use force!**
- The greenhouse must always be anchored.

## Assembly Instructions

### SITE SELECTION

Always try to select a sunny location, sheltered from the wind as much as possible.

### IMPORTANT

Before assembling your new greenhouse, please check that all parts in the provided list are included. Please take each bundle out of the packaging in order to identify the parts better.

It is important that the opened bundles do not get mixed with one another.

If something is missing please contact your retailer.

**Important!** The UV-resistant side of the polycarbonate panes is indicated by the plastic film and printing at the edge. This side must face outside. Remove the film.

**Nuts (1002) - Max. tightening torque 3Nm.**

### NECESSARY TOOLS

Screw drivers (Normal and Crosshead PH2), 10 mm socket spanner or wrench, 10 mm combination spanner, knife, measuring stick, spirit level, Accu-drill with adjustable torque.

### MAINTENANCE

The greenhouse should be thoroughly washed with a gentle detergent occasionally. Please check that the detergent used does not react aggressively with aluminium or the glass fixing clips.

Ensure that the upper and lower door tracks are cleaned regularly to avoid a build up of debris.

### 0. BASE

**Important!** The base must be exactly square and level. A zinc-coated steel base is available as an accessory for all greenhouse models.

**(Attention!** Only when the greenhouse has to be located in a very windy and unprotected location: Drill through both the profile at the

base of the greenhouse and the steel base, and connect them with nuts and bolts.)

If you would rather construct your own stone or concrete foundation, please follow the dimensions specified in diagram 0. Treated wooden beams at least 18 mm high and not more than 32 mm wide should be positioned between the stone/concrete foundation and the aluminium frame, and connected to the foundation with 50 mm long bolts (not provided).

Foundations must extend down below the frost level.

**Diagrams in a single frame show the view from inside the greenhouse. Those enclosed in a double frame show the view from outside the greenhouse.**

### 1. FRONT

Lay all of the parts on the floor and connect them loosely.

Loosely connect the corner plates (1092) on the upper corners (1.5).

**Note:** Several door assemblies are possible.

A double door can be positioned in any 2 fields, with the exception of the corner fields, in the front of the greenhouse. (See section 5B)

Two single doors can be assembled in different combinations on the side or front of the greenhouse. (see section 5A). Two single doors on both sides is indicated by „SDS“.

Please decide at this point how and where you wish the doors to be assembled and follow the appropriate diagram.

**Note:** The fields on both sides of a door opening require a middle brace. (1.6 - 1.9)

### 2. SIDE ASSEMBLY

Assemble wall bars (4248 / 4249) with sill bars (5546) (2.1) and horizontal bars (4261 / 4262) (2.2) (2.3). Loosely connect glazing bars

(4232) between the sill bars and horizontal bars (1.2) (2.5).

Loosely connect both side assemblies to the front assembly including diagonal braces (4233) (2.4) (2.6) (2.7) and if required, middle braces (2096) and (2097).

Loosely connect roof corner bars (4237 / 4238) between the wall bars (4248 / 4249) and the eave bar (4227 / 4228 / 4229) using corner plates (1092) (2.8) (2.12).

Loosely connect the ridge bar (4251 / 4252 / 4253) between the roof corner bars using plates (1092) (2.8) (2.9).

Loosely connect glazing bars (4241 / 4242) and (4243 / 4244) between horizontal bars (4261 / 4262) and roof corner bars (4237 / 4238) (2.10) (2.11).

### 3. ROOF ASSEMBLY

Position the roof glazing bar(s) (4255) on the ridge bar (3.4) and over the eave bar (3.5).

**Note :** It is necessary to include two extra bolts in the bolt channel in glazing bars (4255) at this point, to later connect the roof vent and strengtheners (3.4) (3.5).

Loosely connect roof strengtheners (4270) underneath glazing bars (4255) (3.6) (3.8). Insert the extra bolts in (4255) through the prepared holes (3.7). **Note:** Ensure roof bars (4255) sit against the lip on the ridge bar.

Loosely connect the gutter bar (4264 / 4265 / 4266) to roof glazing bars (4255) (3.9) and both roof corner bars (4237 / 4238) (3.10) (3.11).

### 4. ASSEMBLY ON WALL

Now position your greenhouse on the prepared base/foundation and connect loosely. Adjust the greenhouse until it is completely square and tighten all bolts.

**Please do not over tighten. (max. 3Nm)**

Ensure that the sides are perfectly vertical.

Note the pre-drilled holes in the vertical wall bars (4248 / 4249) and the ridge bar (4251 / 4252 / 4253) and mark them on the wall.

Remove the frame from the base.

Drill holes in the wall as marked and place wall plugs in the wall. (The drill and wall plugs are not included).

Replace the frame on the base and connect it to the wall using screws (not provided) (4.1) & (4.2).

Finally connect the frame to the base.

### 5A. SINGLE DOORS

**Attention: Do not stand the assembled door on the door gliders (1014) to avoid damaging them.**

Push the door gliders (1014) onto both ends of door bar (1360) (5.1).

Assemble the door as shown in diagram 5A.

Bolt door bar (1362) to upper bar (1359) (5A.3) and slide door seals (3021) into the both side bars (4059) (5.5). Slide bolts (1500) into the bottom of the bolt channel holding brush seals (3021) and fix it in place using nut (1515) (5.6). Cut the door seals (3021) to length.

Connect door rollers (1015) to the door bar (1362) using bolt (1304), washer (1009) and nut (1007) (5.4).

Connect door runner bar (1347) onto horizontal bar (4261 / 4262) (5A.7), or if a single door should be in the front of the house onto eave bar (4227 / 4228 / 4229) (5B.7).

Now slide the door rollers into the door runner bar (1347) (5A.8) / (5B.8). Please ensure that the door gliders are also running on the bottom track (5.9). Once the door is correctly in place, connect nuts and bolts into both ends of door runner bar (1347), as door stoppers. (5A.8) / (5B.8).

Adjust the door so that it moves freely.

### 5BL and 5BR. DOUBLE DOORS

**Attention: Do not stand the assembled doors on the door gliders (1014) to avoid damaging them.**

Push the door gliders (1014) onto both ends of door bar (1360) (5.1).

Assemble the doors as shown in diagram 5B.

Bolt door bar (1362) to upper bar (1359) (5B.3) and slide door seals (3021) into door bars (4059) (5.5). Slide bolts (1500) into the bottom of the bolt channel holding brush seals (3021) and fix it in place using nut (1515) (5.6). Cut the door seals (3021) to length. Please ensure that for the inside side bar the part (4098) is used on the left in (5BL) and (4099) on the right in (5BR).

Connect door rollers (1015) to the door bar (1362) using bolt (1304), washer (1009) and nut (1007) (5.4).

Connect door runner bar (1347) onto eave bar (4227 / 4228 / 4229) (5B.7). Connect bolt (2001) at the join between both (1347) as shown.

Now slide the door rollers into the door runner bar (1347) (5B.8). Please ensure that the door gliders are also running on the bottom track (5.9). Once the doors are correctly in place, connect nuts and bolts into the ends of both door runner bars (1347), as door stoppers.

Adjust the doors so that they move freely.

### 6. ROOF VENT

Connect the side bars (1065) and the top bar (1064) depending on the glass thickness. Up to 4 mm, see (6.1). For 4 mm and over, see (6.2).

Place the bolts to connect the bottom bar (1066) in the prepared holes, and then slide the glass into the tracks in side bars (1065) (6.3).

Now connect bottom bar (1066), and ensure that the window is totally square before tightening all bolts.

Bolt the window opener (1067) to the bottom bar (1066) using screws (1006) (6.8).

Place the plastic cap (1019) over the end of the window opener (6.6) and connect both window fixers (2016) onto the window sill (1063) using screws (1006) (6.8).

Position the window in the ridge bar from one end (6.4) and (6.5) and slide it to the required position (6.6).

Connect the window sill (1063), with the extra bolts (1001) in the glazing bars (4255), between glazing bars (4255) and strengtheners (4270) (6.6) (6.7).

### 7A. & 7B. GLAZING – POLYCARBONATE

Please note the already mentioned safety precautions.

Press the glazing seals (1020) onto the aluminium profiles (7A.4) (7B.1) and cut to length.

**Important!** The UV-resistant side is indicated by the plastic film and printing at the edge. This side must face outside. Remove the film.

**Note!** Completely remove the film only after the pane has been positioned in the greenhouse. (The panes are cut marginally shorter to allow for expansion in warm conditions).

In order to give the Polycarbonate panes extra stability, it is recommended to connect them to the bottom aluminium profile, in the middle of each pane, with a screw and washer (7A.3) (7B.3). To achieve this it is necessary to drill a 2mm hole through the pane and the aluminium profile. The drill is not included.

(\*): The screws and washers are included with

the polycarbonate panes.

### 7A. GLAZING – CLEAR GLASS

On the roof fix the polycarbonate glazing panes in place using the wind fixing strips (6600) (7A.2) and note the quantity required on each pane.

On the side begin by positioning the glass at the bottom and fix in place using the glazing spring clips (1011) (7A.5). The following pane should be placed over the pane directly under it and held in place with the glass retaining clips (1012) between the panes (7A.6).

### 7B. GLAZING – POLYCARBONATE

Fix the polycarbonate glazing panes in place using the glazing spring clips (1011) (7B.2) and note the quantity required on each pane.

### 8. DOWN PIPES

Connect the down pipe parts on both sides of the house as shown, (8.1) to (8.6). Ensure the connection (1417) is included between (1408) and (1402)(8.2).

### FINISHING

If desired, it is possible to seal the greenhouse at the edges using neutral silicone. Silicone is not included.

Place the warning label inside the house.

A full range of accessories is available to help you make the most of this product. Please contact your local stockist for details.

### SAFETY NOTICE

In the event of high winds, close all doors and vents.

In the event of heavy snowfall, clear the roof of the building or take suitable measures to support the roof. Heat the building in winter.

### COMMENTS

For the complete protection of your new greenhouse, we advise you to include it in your house insurance. Please take note of possible building rules relating to the positioning of greenhouses.

Please stick the included greenhouse model label onto the door bar (1362) after successfully assembling this product. This information is important in the event that replacement parts are later required.

Please keep these Assembly Instructions in a safe place, for future reference!

Our policy is one of continuous improvement and we reserve the right to change the specifications without prior notice.

# Sicherheitsvorkehrungen

## 1. BITTE LESEN SIE DIESE MONTAGEANLEITUNG VOR BEGINN DES AUFBAUS KOMPLETT DURCH!

- Scharfe Kanten können zu Verletzungen führen. Bei der Handhabung von Aluminiumprofilen, Glas und Hohlkammerplatten sollten Sie immer eine Schutzbrille, Handschuhe, Schuhe und Kopfschutz tragen. Zerbrochenes Glas ist eine Gefahrenquelle – bitte entfernen Sie Glassplitter immer sofort und mit Vorsicht.
- Das von Ihnen erworbene Produkt ist ausschließlich für die Aufzucht von Pflanzen konstruiert und sollte auch ausschließlich dafür genutzt werden. Bei anderweitiger Nutzung ist jegliche Haftung ausgeschlossen.
- Für die Montage dieses Produktes sind zwei Personen erforderlich.
- Sollten Sie beim Montieren des Hauses oder beim Einsetzen der Verglasung Schwierigkeiten haben, dann setzen Sie sich bitte mit Ihrem Händler in Verbindung – **Wenden Sie keine Gewalt an!**
- Das Gewächshaus muss immer verankert werden.

## Aufbaubeschreibung

### STANDORTWAHL

Suchen Sie den sonnigsten, aber gleichzeitig auch einen windgeschützten Platz aus.

### WICHTIG

Bevor Sie mit der Montage Ihres Gewächshauses beginnen, überprüfen Sie, ob alle in der Liste aufgeführten Teile vorhanden sind. Nehmen Sie die einzelnen Bündel aus der Verpackung, um sie besser identifizieren zu können. Es ist wichtig, dass die geöffneten Bündel nicht durcheinander geraten. Fehlt etwas, dann setzen Sie sich bitte mit Ihrem Lieferanten in Verbindung.

**Achtung** – Die UV-beständige Seite der Hohlkammerplatten ist durch eine Plastikfolie oder einen gedruckten Hinweis an den Kanten gekennzeichnet. **Diese Seite muss nach außen zeigen!**

**Schrauben (1002) - max. Anzugsdrehmoment 3 Nm.**

### BENÖTIGTE WERKZEUGE

Schraubendreher (Schlitz und Kreuzschlitz PH2), Schraubenschlüssel 10 mm, Ring-Gabelschlüssel, Messer, Zollstock, Wasserwaage, Akku-Schrauber mit einstellbarem Drehmoment.

### WARTUNG

Das Gewächshaus sollte hin und wieder gründlich mit einer milden Waschmittellauge abgewaschen werden. Das Glas kann mit einem Reinigungsmittel gesäubert werden, das weder den Aluminiumrahmen noch die Glasfederklammern angreift. Reinigen Sie die oberen und unteren Türlaufschienen regelmäßig.

### 0. FUNDAMENT

**Wichtig!** Das Fundament muss absolut rechtwinklig und eben sein.

Ein verzinktes Stahlfundament ist für alle Gewächshaus-Modelle als Zubehör erhältlich.

**(Achtung!** Nur wenn das Gewächshaus an einer sehr ungeschützten und windigen Stelle aufgebaut werden muss: Durchbohren Sie die Grundprofile und das Stahlfundament und verschrauben Sie beide mit Schrauben und Muttern miteinander)

Wollen Sie jedoch selbst ein Fundament aus Stein oder Beton fertigen, dann richten Sie sich bitte nach den Maßangaben im Abschnitt 0. Vorbehandelte witterungsgeschützte Holzleisten von mindestens 18mm Dicke und höchstens 32mm Breite werden zwischen Stein-Betonfundament und Aluminiumrahmen gesetzt, entsprechend der Zeichnung durchbohrt und mit 50mm langen Schrauben (nicht mitgeliefert) im Fundament verschraubt.

Das Fundament muss frostfrei gegründet werden.

**Alle Zeichnungen sind von der Innenseite des Hauses gesehen abgebildet mit Ausnahme der Abbildungen, die in einem Doppelpfeilrahmen dargestellt sind. Diese beschreiben die Außenansicht.**

### 1. VORDERSEITE

Legen Sie alle Teile auf dem Boden aus und verschrauben Sie sie lose.

Verschrauben Sie die Knotenbleche (1092) lose mit den oberen Ecken (1.5).

**Achtung:** Die Türen können auf verschiedenen Seiten eingebaut werden.

Eine Doppeltür kann in jedes Doppelfeld der Vorderseite des Gewächshauses (siehe Schritt 5B) eingebaut werden mit Ausnahme der Randfelder.

Zwei einzelne Türen können in verschiedenen Kombinationen an der Seite oder Front des Gewächshauses montiert werden (siehe Schritt 5A). Die Montage zweier Einzeltüren an beiden Seiten ist angegeben mit „SDS“.

Bitte entscheiden Sie zu diesem Zeitpunkt, wie und wo Sie die Türen einbauen wollen und halten Sie sich an die entsprechende Grafik.

**Achtung:** Die Felder auf beiden Seiten einer Türöffnung benötigen ein Horizontalprofil (1.6 – 1.9).

### 2. SEITENWÄNDE

Verschrauben Sie die Wandprofile (4248/4249) mit den Bodenprofilen (5546) (2.1) und Querstreben (4261/4262) (2.2)(2.3). Die Zwischenprofile (4232) lose mit den Bodenprofilen (1.2-Aufbauschritt 1) und Querstreben (2.5.) verschrauben.

Die montierten Seitenelemente zusammen mit den Diagonalstreben (4233) (2.4) (2.6) (2.7) lose an der Vorderseite montieren und, falls

benötigt, die Streben (2096) und (2097).

Die Giebeleckprofile (4237/4238) lose zwischen den Wandprofilen und dem Traufenprofil (4227/4228/4229) mit den Knotenblechen (1092) (2.8) (2.9) verschrauben.

Das Firstprofil (4250/4251/4252) zwischen den Wandprofilen mit den Knotenblechen (1092) lose verschrauben.

Die Zwischenprofile (4241/4242) und (4243/4244) lose zwischen den Querstreben (4261/4262) und Giebeleckprofilen (4237/4238) (2.10)(2.11) montieren.

### 3. DACH

Die Dachzwischenprofile (4255) auf dem Firstprofil (3.4) und über dem Traufenprofil (3.5) montieren.

**Achtung:** Es ist erforderlich, dass an dieser Stelle zwei zusätzliche Schrauben in den Schraubenkanal der Verglasungsleisten eingeführt werden, die dann später die Dachfensterschwelle und die Verstärker befestigen (3.4) (3.5).

Die Dachverstärker (4270) lose unterhalb der Dachzwischenprofile (4255) befestigen (3.6) (3.8). Die zusätzlichen Schrauben in den Dachzwischenprofilen (4255) in die vorgebohrten Löcher der Dachverstärker (4270) einführen (3.7). **Achtung:** Stellen Sie sicher, dass die Dachzwischenprofile (4255) bündig am Firstprofil montiert sind. Das Traufenprofil (4264/4265/4266) lose mit den Giebeleckprofilen (4237/4238) verschrauben (3.10) (3.11).

### 4. BEFESTIGUNG AN DER WAND

Stellen Sie Ihr Gewächshaus nun auf das vorbereitete Fundament/Rahmen und verschrauben Sie es lose mit dem Fundament. Justieren Sie das Gewächshaus, bis es komplett gerade ist und ziehen Sie alle Schrauben fest an.

**Bitte überdrehen Sie die Schrauben nicht! (max. 3Nm)**

Stellen Sie sicher, dass alle Seiten absolut rechtwinklig sind. Beachten Sie die Bohrungen in den Wandprofilen (4248/4249) und im Firstprofil (4251/4252/4253) und markieren Sie diese an der Wand.

Nehmen Sie das Gestell vom Rahmen herunter.

Bohren Sie Löcher in die markierten Stellen in

der Wand und bringen Sie Wanddübel an der Wand an. (Der Bohrer und die Wanddübel sind nicht im Lieferumfang enthalten).

Setzen Sie das Gestell wieder auf das Fundament und verschrauben Sie es mit den Schrauben (nicht im Lieferumfang enthalten) an der Wand (3.1) & (3.2).

Zum Schluss verschrauben Sie das Gestell mit dem Fundament.

## 5A. EINZELTÜREN

**Achtung: Niemals die montierte Tür auf die Türgleiter (1014) stellen, damit sie nicht beschädigt werden!**

Die Türgleiter (1014) an den Enden in das Türprofil (1360) hineindrücken (5.1).

Die Türelemente, wie in Abbildung 5 gezeigt, zusammenschrauben.

Verschrauben Sie das Türprofil (1362) mit dem oberen Türprofil (1359) (5A.3) und ziehen Sie die Türdichtungen (3021) in die senkrechten äußeren Streben der Tür ein (4059)(5.5). Führen Sie die Schrauben (1500) in den unteren Schraubenkanal, der die Bürstendichtungen (3021) hält, ein und verschrauben sie an dieser Stelle mit den Muttern (1515) (5.6). Schneiden Sie die Türdichtungen (3021) auf Länge.

Die Türrollen (1015), wie in (5.4) gezeigt, mittels der Schrauben (1304), Unterlegscheiben (1009) und Muttern (1007) mit dem Türoberteil (1362) verschrauben.

Die Türführung (1347) mit der Querstrebe (4261/4262) verschrauben (5A.7) oder, falls eine einzelne Tür an der Vorderseite des Hauses eingebaut werden soll, mit dem Traufenprofil (4227/4228/4229) verschrauben (5B.7).

Die Türrollen können jetzt in das Türführungsprofil (1347) von der Seite eingeschoben werden (5A.8)/(5B.8). Bitte darauf achten, dass die Türgleiter auf dem senkrechten Steg des Bodenprofils laufen (5.9). Nachdem Sie die Tür richtig eingesetzt haben, setzen Sie Schrauben und Muttern als Türstopper an beide Enden der Türschiene (1347) (5A.8)/(5B.8).

Die Tür so einstellen, dass sie reibungslos läuft.

## 5BL und 5BR. DOPPELTÜR

**Achtung: Niemals die montierte Tür auf die Türgleiter (1014) stellen, damit sie nicht beschädigt werden!**

Die Türgleiter (1014) an den Enden in das Türprofil (1360) hineindrücken (5.1).

Die Türelemente, wie in der Zeichnung 5 gezeigt, zusammenschrauben.

Verschrauben Sie das Türprofil (1362) mit dem oberen Türprofil (1359) (5B.3) und ziehen Sie die Türdichtungen (3021) in die senkrechten äußeren Streben der Tür ein (4059)(5.5). Führen Sie die Schrauben (1500) in den unteren Schraubenkanal, der die Bürstendichtungen (3021) hält, ein und verschrauben sie an dieser Stelle mit den Muttern (1515) (5.6). Schneiden Sie die Türdichtungen (3021) auf Länge. Achten Sie darauf, dass für das innenliegende Seitenprofil das Teil (4098) linksseitig montiert wird (5BL) und das Teil (4099) rechtsseitig (5BR).

Die Türrollen (1015), wie in (5.4) gezeigt, mit-

tels der Schrauben (1304), Unterlegscheiben (1009) und Muttern (1007) mit dem Türoberteil (1362) verschrauben.

Die Türführung (1347) mit dem Traufenprofil (4227/4228/4229) verschrauben (5B.7)

Die Schraube (2001) an der Verbindung zwischen beiden (1347) befestigen, wie gezeigt.

Die Türrollen können jetzt in das Türführungsprofil (1347) von der Seite eingeschoben werden (5B.8). Bitte darauf achten, dass die Türgleiter auf dem senkrechten Steg des Bodenprofils laufen (5.9). Nachdem Sie die Tür richtig eingesetzt haben, setzen Sie Schrauben und Muttern als Türstopper an beide Enden der Türschiene (1347).

Die Tür so einstellen, dass sie reibungslos läuft.

## 6. DACHFENSTER

Die Seitenrahmen (1065) mit dem Dachfensteroberteil (1064) verschrauben. Bei einer Verglasung dünner als 4 mm wie (6.1), sonst wie (6.2).

Schrauben in die Bohrungen der Seitenrahmen (1066) hineinstecken. Das Glas in die Seitenrahmen (1065) hineinschieben (6.3). Jetzt das untere Fensterprofil (1066) mit den Seitenrahmen verschrauben. Achtung: Das Fenster muss rechtwinklig sein.

Den Dachfensteraufsteller (1067) mit dem unteren Fensterprofil (1066) verschrauben. Hierbei werden die Schrauben (1006) verwendet (6.8).

Die vorhandene Gummikappe (1019) über das untere Ende des Dachfensteraufstellers streifen (6.6). Die beiden Einrastzapfen (2016) auf der Dachfensterschwelle (1063) mit den Schrauben (1006) festschrauben (6.8).

Das Dachfenster in den First vom Firstende aus einführen und das Fenster in die vorgesehene Stellung bringen (6.4/6.5/6.6).

Die Dachfensterschwelle (1063) entsprechend (6.6) (6.7) mit den vorhandenen Leerschrauben (1001) zwischen den Dachzwischenprofilen (4255) und Verstärkern (4270) festschrauben

## 7A. & 7B. VERGLASUNG - HOHLKAMMERPLATTEN

**Bitte beachten Sie die oben erwähnten Sicherheitsvorkehrungen!**

Drücken Sie die Glasdichtung (1020) auf die Alu-Profilen (7A.4) (7B.1) und schneiden Sie sie entsprechend auf Länge.

**WICHTIG!** Die UV-beständige Seite der Hohlkammerplatten ist durch eine Plastikfolie oder einen gedruckten Hinweis an den Kanten gekennzeichnet. Diese Seite muss nach außen zeigen!

Achtung! Entfernen Sie die Folie erst komplett, nachdem die Scheibe in das Gewächshaus eingesetzt wurde. (Die Scheiben sind geringfügig kürzer geschnitten, damit sie sich bei warmer Witterung ausdehnen können).

Um den Hohlkammerplatten zusätzliche Stabilität zu verleihen, wird empfohlen, sie jeweils unten in der Mitte einer jeden Platte mit einer Schraube und einer Unterlegscheibe mit dem unteren Aluminiumprofil zu verschrauben (7A.3) (7B.3) Um das zu erreichen, muss ein 2 mm starkes Loch durch die Scheibe und das

Aluminiumprofil gebohrt werden. Der Bohrer gehört nicht zum Lieferumfang.

(\*): Die Schrauben und Unterlegscheiben liegen den Hohlkammerplatten bei.

## 7A. VERGLASUNG BLANKGLAS

Befestigen Sie die Hohlkammerplatten des Daches mit Hilfe der Windsicherung (6600) (7A.2). Achten Sie darauf, dass die Dachplatten mittig liegen und parallel zu den Profilen verlaufen.

Beginnen Sie mit der Verglasung der Seite von unten und benutzen Sie hierzu die Glasfederklammern (1011) (7A.5). Verwenden Sie die angegebene Stückzahl pro Scheibe.

Die folgende Scheibe sollte über die direkt darunter liegende Scheibe platziert werden mit den Glashalteklammern (1012) zwischen den Scheiben (7A.6).

## 7B. VERGLASUNG - HOHLKAMMERPLATTEN

Befestigen Sie die Hohlkammerplatten mit Hilfe der Glasfederklammern (1011) (7B.2) und verwenden Sie die angegebene Stückzahl pro Scheibe.

## 8. REGENABLAUFROHRE

Die Elemente der Regenablaufrohre wie in (8.1)-(8.6) gezeigt an beiden Seiten des Hauses anbringen. Achten Sie darauf, dass das Verbindungsteil (1417) zwischen (1408) und (1402) eingesetzt wird (8.2).

## DIE LETZTEN HANDGRIFFE

Wenn Sie es wünschen, können Sie das Gewächshaus an den vorhandenen Fugen mit neutralem Silikon abdichten. Das Silikon wird nicht mitgeliefert.

Den beiliegenden Warnungsaufkleber von innen aufkleben.

Ihr Lieferant hält ein reichhaltiges Sortiment an Gewächshaus-Zubehör für Sie bereit. Sprechen Sie ihn an.

## SICHERHEITSHINWEIS

Bei starkem Wind sollten alle Öffnungen und die Tür geschlossen werden.

Dächer von Gewächshäusern sind so rechtzeitig von Schnee zu räumen, dass keine gefährliche Schneebelastung eintreten kann.

## ANMERKUNGEN

Zum vollen Schutz des Gewächshauses empfehlen wir, es mit in Ihre Hausversicherung einzuschließen. Beachten Sie eventuell vorhandene örtliche Bauvorschriften.

Den mitgelieferten Typaufkleber nach erfolgter Montage des Gewächshauses auf das Radgehäuse (1362) kleben.

Die Typbezeichnung benötigen Sie zur Angabe bei der Bestellung evtl. benötigter Ersatzteile. Bitte heben Sie die Montageanleitung auf!

Alle Maßangaben sind Annäherungswerte. Änderungen vorbehalten.

# Mesures préventives de sécurité

## 1. MERCI DE LIRE CES INSTRUCTIONS INTEGRALEMENT AVEC ATTENTION AVANT DE COMMENCER LE MONTAGE !

- Les rebords coupants peuvent provoquer des blessures. Toujours porter des lunettes et des gants de protection, des chaussures de sécurité et un lors de la manipulation des profilés en aluminium, du verre et des panneaux alvéolaires. Le verre brisé est une source de dangers – merci de toujours éliminer les bris de verre immédiatement et avec prudence.
- Le produit que vous venez d'acquérir a été conçu exclusivement pour la culture de plantes et doit être utilisé uniquement dans cet objectif. Nous excluons toute responsabilité en cas d'autre utilisation.
- Deux personnes sont nécessaires pour réaliser le montage de ce produit.
- Si vous deviez rencontrer des difficultés lors du montage de la structure ou de l'installation du vitrage, merci de contacter votre revendeur  
– **N'ayez pas recours à la force !**
- La serre doit toujours être ancrée.

## Description du montage

### CHOIX DE L'EMPLACEMENT

Choisissez l'emplacement le plus ensoleillé mais aussi le mieux protégé du vent.

### IMPORTANT

Avant de commencer le montage de votre serre, vérifiez que vous disposez de toutes les pièces telles qu'elles sont indiquées dans la liste. Retirez les différents paquets de l'emballage pour mieux les identifier. Il est important de ne pas mélanger les paquets ouverts. Si un composant manque, merci de contacter votre revendeur.

**Attention** – Le côté résistant aux UV des panneaux alvéolaires est marqué par un film plastique ou un avis imprimé sur le rebord. **Ce côté doit être tourné vers l'extérieur !**

**Vis (1002) - couple de serrage de 3 Nm maxi.**

### OUTILS NÉCESSAIRES

Tournevis (à fente et cruciforme PH2), clé à disques de 10 mm, clé mixte, cutter, mètre pliant, niveau à bulle, visseuse sans fil avec moment de force réglable.

### MAINTENANCE

La serre doit être nettoyée de temps en temps à fond avec une lessive douce. Les vitres peuvent être nettoyées avec un produit qui n'attaque ni le cadre en aluminium ni les pinces à ressort des vitres. Nettoyez régulièrement les rails supérieurs et inférieurs de la porte.

### 0. FONDATION

**Important !** Les fondations doivent être parfaitement perpendiculaires et planes.

Des fondations en acier galvanisé sont disponibles comme accessoires pour tous les modèles de serre.

**(Attention !** Uniquement quand la serre doit être montée à un emplacement non protégé et exposé au vent : percez le profil de base et les fondations en acier et vissez-les ensemble avec des vis et des écrous)

Cependant, si vous souhaitez poser vous-même des fondations en pierre ou en béton,

merci de vous orienter alors sur les dimensions indiquées au paragraphe 0. Entre les fondations en pierre et en béton et les cadres en aluminium, mettre en place des barres en bois traitées au préalable et protégées contre les intempéries d'une épaisseur d'au moins 18 mm et de 32 mm de large maximum percées conformément au schéma et les visser aux fondations avec des vis de 50 mm de long (non fournies).

Les fondations doivent être à l'abri du gel.

**Tous les schémas représentent la vue de l'intérieur de la construction exception faite des illustrations imprimées dans un double encadré. Elles décrivent alors une vue de l'extérieur.**

### 1. DEVANT

Placez toutes les pièces sur le sol et vissez-les légèrement.

Vissez légèrement les goussets en tôle (1092) avec les angles supérieurs (1.5)

**Attention** : Les portes peuvent être montées sur différents côtés.

Il est possible de monter une double porte dans l'importe quel double champ de la serre (voir étape 5B) exception faite des champs de bordure.

Deux portes individuelles peuvent être montée dans différentes combinaisons sur le côté ou sur la partie avant de la serre (voir étape 5A). Le montage des deux portes individuelles sur les deux côtés est marqué par « SDS ».

Merci de décider au plus tard à ce moment-là comment et où vous souhaitez monter vos portes en respectant le graphique correspondant.

**Attention** : Les champs situés des deux côtés d'une ouverture de porte ont besoin de profilés horizontaux (de 1.6 à 1.9).

### 2. PAROIS LATÉRALES

Vissez les profilés muraux (4248/4249) avec les profilés du sol (5546) (2.1) et les traverses (4261/4262) (2.2) (2.3). Visser légèrement les profilés intermédiaires (4232) avec les profilés du sol (1.2, étape de montage 1) et les traverses (2.5).

Visser les éléments latéraux montés légère-

ment avec les étais latéraux (4233) (2.4) (2.6) (2.7) sur la partie avant et, si nécessaire, sur les étais (2096) et (2097).

Visser légèrement les profilés d'angle du pignon (4237/4238) entre les profilés muraux et le profil de faite (4227/4228/4229) avec les goussets en tôle (1092) (2.8) (2.9).

Visser le profilé de faite (4250/4251/4252) entre les profilés muraux avec les goussets en tôle (1092).

Vissez les profilés intermédiaires (4241/4242) et (4243/4244) légèrement entre les traverses (4261/4262) et les profilés d'angle du pignon (4237/4238) (2.10) (2.11).

### 3. TOIT

Monter les profilés intermédiaires du toit (4255) sur le profilé de faite (3.4) et au-dessus du profilé de gouttière (3.5).

**Attention** : Il est nécessaire ici d'insérer deux vis supplémentaires dans le canal de vis des barres de vitrage qui fixeront plus tard le seuil de la lucarne et le renfort (3.4) (3.5).

Fixer le renfort (4270) en le vissant légèrement en-dessous des profilés d'angle du toit (4255) (3.6) (3.8). Insérer les vis supplémentaires dans les profilés intermédiaires du toit (4255) dans les trous prépercés du renfort du toit (4270) (3.7). **Attention** : Assurez-vous que les profilés intermédiaires du toit (4255) sont montés en affleurement sur le profil de faite. Visser le profilé de gouttière (4264/4265/4266) légèrement avec les profilés d'angle du pignon (4237/4238) (3.10) (3.11).

### 4. FIXATION AU MUR

Placez à présent votre serre sur les fondations/ sur le cadre préparés et vissez-la légèrement à ces fondations. Ajustez la position de la serre jusqu'à ce qu'elle soit parfaitement droite puis serrez toutes les vis à fond.

**Attention de ne pas fausser les vis en les serrant trop ! (3 Nm maxi.)**

Assurez-vous que tous les côtés sont parfaitement perpendiculaires. Observez les perçages dans les profilés muraux (4248/4249) et dans le profilé de faite (4251/4252/4253) et reportez-les sur le mur.

Déposez le bâti du cadre.

Effectuez des perçages aux emplacement



marqués sur le mur et insérez dedans les chevilles murales. (Les mèches et les chevilles murales ne sont pas incluses dans la livraison).

Remettez le bâti en place sur les fondations et vissez-le avec les vis (non comprises dans la livraison) au mur (3.1) & (3.2).

Pour finir, vissez le bâti aux fondations.

## 5A. PORTES INDIVIDUELLES

**Attention : ne jamais poser la porte montée sur les patins de la porte (1014) pour ne pas les endommager !**

Enfoncer les patins de la porte (1014) aux extrémités du profilé de la porte (1360) en appuyant dessus (5.1).

Vissez les éléments de la porte ensemble comme indiqué sur l'illustration 5.

Vissez le profilé de la porte (1362) au profilé supérieur de la porte (1359) (5A.3) et faites passer les joints de la porte (3021) dans les états verticaux extérieurs de la porte (4059) (5.5). Insérez les vis (500) dans le canal de vis inférieur qui maintient les colmatages par brosses (3021) et fixez-le en place avec les écrous (1515) (5.6). Coupez les joints de la porte (3021) à la bonne longueur.

Visser les roulettes des portes (1015) comme indiqué sur (5.4) au moyen des vis (1304), des rondelles (1009) et des écrous (1007) avec la partie supérieure de la porte (1362).

Visser le guidage de la porte (1347) au profilé de gouttière (4261/4262) (5A.7) ou, si une porte individuelle doit être montée sur la façade avant de la construction, avec le profilé de gouttière (4227/4228/4229) (5B.7).

Les roulettes des portes peuvent maintenant être insérées dans le profilé de guidage de la porte (1347) par le côté (5A.8) / (5B.8). Merci de veiller à ce que les guidages de la porte coulissent sur la traverse verticale du profilé de sol (5.9). Après avoir installé la porte correctement, insérez les vis et les écrous aux deux extrémités du guidage de la porte (1347) comme bloque-porte (5A.8) / (5B.8).

Régler la porte de manière à ce qu'elle se déplace sans être gênée.

## 5BL et 5BR. PORTE DOUBLE

**Attention : ne jamais poser la porte montée sur les patins de la porte (1014) pour ne pas les endommager !**

Enfoncer les patins de la porte (1014) aux extrémités du profilé de la porte (1360) en appuyant dessus (5.1).

Vissez les éléments de la porte ensemble comme indiqué sur le schéma 5.

Vissez le profilé de la porte (1362) au profilé supérieur de la porte (1359) (5B.3) et faites passer les joints de la porte (3021) dans les états verticaux extérieurs de la porte (4059) (5.5). Insérez les vis (500) dans le canal de vis inférieur qui maintient les colmatages par brosses (3021) et fixez-le en place avec les écrous (1515) (5.6). Coupez les joints de la porte (3021) à la bonne longueur. Veillez à ce que la pièce (4098) soit montée sur le côté gauche (5BL) et la pièce (4099) sur le côté droit (5BR) pour le profilé latéral intérieur.

Visser les roulettes des portes (1015) comme indiqué sur (5.4) au moyen des vis (1304), des

rondelles (1009) et des écrous (1007) avec la partie supérieure de la porte (1362).

Visser le guidage de la porte (1347) au profilé de gouttière (4227/4228/4229) (5B.7)

Fixer la vis (2001) au raccord entre les deux (1347), comme indiqué.

Les roulettes des portes peuvent maintenant être insérées dans le profilé de guidage de la porte (1347) par le côté (5B.8). Merci de veiller à ce que les guidages de la porte coulissent sur la traverse verticale du profilé de sol (5.9). Après avoir installé la porte correctement, insérez les vis et les écrous aux deux extrémités du guidage de la porte (1347) comme bloque-porte.

Régler la porte de manière à ce qu'elle se déplace sans être gênée.

## 6. LUCARNE

Visser les cadres latéraux (1065) à la partie supérieure de la lucarne (1064). Si l'épaisseur du vitrage est inférieure à 4 mm procéder comme au point (6.1), sinon procéder comme au point (6.2).

Insérer les vis dans les perçages des cadres latéraux (1066). Insérer le verre dans les cadres latéraux (1065) (6.3). Visser à présent le profilé de fenêtre inférieur (1066) avec le cadre latéral. Attention : la fenêtre doit être à angle droit.

Visser le mécanisme d'ouverture et de fermeture de custode de la lucarne (1067) avec le profilé de fenêtre inférieur (1066). Utiliser ici les vis (1006) (6.8).

Passer le bouchon en caoutchouc existant (1019) par-dessus l'extrémité inférieure du mécanisme d'ouverture et de fermeture de custode de la lucarne (6.6). Visser les deux pignons enfichables (2016) à fond sur le seuil de la lucarne (1063) avec les vis (1006) (6.8). Insérer la lucarne dans le faite par l'extrémité de ce dernier et placer la fenêtre sur sa position prévue (6.4/6.5/6.6).

Visser le seuil de la lucarne (1063) conformément à (6.6) (6.7) avec les boulons disponibles (1001) entre les profilés intermédiaires du toit (4255) et les renforts (4270) à fond.

## 7A. & 7B. VITRAGE DES PANNEAUX ALVÉOLAIRES

**Merci de respecter les consignes de sécurité indiquées ci-dessus.**

Enfoncer le joint de glace (1020) dans le profilé en aluminium (7A.4) (7B.1) et découpez-le à la longueur désirée.

**IMPORTANT !** Le côté résistant aux UV des panneaux alvéolaires est marqué par un film plastique ou un avis imprimé sur le rebord. Ce côté doit être tourné vers l'extérieur !

Attention ! Ne retirez le film entièrement qu'une fois la vitre en place sur la serre. (Les vitres ont été découpées à des dimensions légèrement inférieures pour leur permettre de se dilater sous l'effet des températures chaudes).

Afin de donner davantage de stabilité aux panneaux alvéolaires, nous recommandons de visser en bas au centre de chaque panneau une vis et une rondelle avec le profilé en aluminium inférieur (7A.3) (7B.3) Pour y parvenir,

il faut percer un trou de 2 mm de profondeur à travers la vitre et le profilé en aluminium. Le foret n'est pas compris dans la livraison.

(\*) : Les vis et les rondelles sont jointes aux panneaux alvéolaires.

## 7A. VITRAGE DU VERRE CLAIR JARDINIER

Fixez les panneaux alvéolaires du toit à l'aide des cisaillements de vent (6600) (7A.2). Veillez à ce que les tuiles soient bien placées au centre et parallèlement aux profilés.

Commencez le vitrage de la partie latérale par le bas et utilisez pour cela les pinces à ressort des vitres (1011) (7A.5). Utilisez la quantité indiquée par vitre

La vitre suivante doit être placée directement sur la vitre située en-dessous avec les pinces à ressort des vitres (1012) entre les vitres (7A.6).

## 7B. VITRAGE DES PANNEAUX ALVÉOLAIRES

Fixez les panneaux alvéolaires à l'aide des pinces à ressort des vitres (1011) (7B.2) en utilisant le nombre indiqué par vitre.

## 8. TUYAU D'ÉCOULEMENT DES PLUIES

Monter les éléments des tuyaux d'écoulement des pluies sur les deux côtés de la construction comme indiqué sur (8.1) -(8.6). Veillez à utiliser l'élément de raccord (1417) entre (1408) et (1402) (8.2).

## LES DERNIERS GESTES

Si vous le souhaitez, vous pouvez colmater les joints existants sur votre serre avec de la silicone neutre. Cette silicone n'est pas comprise dans la livraison.

Coller l'autocollant d'avertissement ci-joint à l'intérieur.

Votre fournisseur tient une vaste gamme d'accessoires pour serres à votre disposition. Contactez-le.

## CONSIGNES DE SECURITÉ

En cas de vent fort, toutes les ouvertures et toutes les portes doivent être fermées.

Les toits des serres doivent être rangés à temps avant la chute de neige de manière à éviter toute charge dangereuse due à la neige.

## REMARQUES

Pour protéger votre serre au maximum, nous recommandons de l'inclure à votre couverture d'assurance ménagère. Prenez en compte les éventuelles réglementations locales en vigueur.

Coller l'autocollant signalétique fourni sur le boîtier des roulettes (1362) une fois le montage terminé.

Vous aurez besoin de cette désignation pour commander d'éventuelles pièces de rechange. Merci de conserver les instructions de montage!

Toutes les dimensions indiquées sont des valeurs approximatives. Sous réserve de modifications

# Veiligheidsvoorschriften

## 1. LEEST U EERST DE GEHELE INSTRUCTIES DOOR ALVORENS TE BEGINNEN MET DE OPBOUW VAN DE KAS.

- Draag altijd handschoenen als u met glas, polycarbonaat platen of aluminium werkt, deze kunnen scherpe hoekjes en/of randen hebben die tot verwondingen kunnen leiden. Indien glas gebroken is dient u het veilig en meteen op te ruimen.
- Het product dat u heeft gekocht is alleen bestemd voor het kweken van planten. Wanneer deze voor andere doeleinden zal worden gebruikt dragen wij hier geen verantwoordelijkheid voor.
- Wij raden u aan de kas met twee personen in elkaar te zetten.
- Mocht u problemen hebben het glas of polycarbonaat platen in te passen, neem dan contact op met uw leverancier. - **Gebruik geen geweld.**
- De kas moet altijd worden verankerd.

## Montage Instructies

### KIEZEN PLAATS

Probeer altijd een zonnige plaats te kiezen die zoveel mogelijk tegen wind beschermt is.

### BELANGRIJK

Controleer a.u.b. of u alle onderdelen op de meegeleverde lijst hebt voordat u begint aan het in elkaar zetten van uw nieuwe kas. Haal a.u.b. elk pakket uit de doos om de onderdelen beter te identificeren.

Het is belangrijk dat de open pakketten niet door elkaar gehaald worden.

Als er onderdelen ontbreken, neem dan a.u.b. contact op met uw leverancier.

**Belangrijk!** De UV-bestendige kant wordt aangegeven door de kunststoffolie en de bedrukking op de rand. **Deze kant moet naar buiten zitten.** Verwijder de folie.

**Moertjes (1002) - Max. aanhaalmoment 3Nm.**

### VEREISTE GEREEDSCHAPPEN

Schroevendraaiers (normale en kruiskop PH2), een 10 mm moer- of steeksleutel, een 10 mm combinatiesleutel, mes, maatstok, waterpas, accuboormachine met instelbaar moment.

### ONDERHOUD

Om uw kas schoon te houden dient deze af toe grondig gereinigd te worden met een zacht reinigingsmiddel. Zorg er a.u.b. voor dat het reinigingsmiddel niet het aluminium aantast of de beglazingsclips.

Om te voorkomen dat zich vuil ophoopt in de deurrails, zal men deze regelmatig moeten schoonmaken.

### 0. FUNDERING

**Belangrijk!** Let op dat de fundering haaks en waterpas staat. Een gegalvaniseerde fundering is voor ieder type kas verkrijgbaar bij uw leverancier.

(Attentie! Alleen als de kas op een erg winderige en onbeschermd plaats moet staan, moet u de kas en de fundering aan

elkaar maken: boor dan gaatjes door het profiel onderaan de kas en de stalen fundering, en maak deze aan elkaar vast met behulp van moertjes en boutjes.)

Als u liever uw eigen stenen of betonnen fundering wilt construeren, volg dan a.u.b. de afmetingen in diagram 0. Geïmpregneerde houten balken van minstens 18 mm hoog en niet meer dan 32 mm breed zullen tussen de stenen/betonnen fundering en het aluminium frame moeten worden geplaatst. Deze moeten dan aan de fundering vast worden gemaakt met 50 mm lange schroeven. (De 50 mm schroeven zijn niet inbegrepen).

De fundering moet tot beneden de vorstgrens zitten.

**Op de tekeningen met het enkelvoudige frame wordt de binnenkant van de kas getoond. Op de tekeningen met het dubbele frame wordt de kas van de buitenkant bekeken.**

### 1. VOORKANT

Leg alle onderdelen uit op de grond en schroef ze losjes aan elkaar.

Monteer de gootplaatjes (1092) op de bovenhoeken (1.5).

**N.B.:** De deur kan op verschillende manieren worden gemonteerd.

Er kan op alle dubbele velden, met uitzondering van de hoekvelden, aan de voorkant van de kas een dubbele deur worden geplaatst. (Zie paragraaf 5B)

Er kunnen in verschillende combinaties aan de zij- of voorkant van de kas twee losse deuren worden gemonteerd. (Zie paragraaf 5A). De aanduiding voor twee losse deuren aan beide kanten is „SDS“.

Beslis op dit punt a.u.b. hoe en waar u de deur gemonteerd wilt hebben en volg dan het toepasselijke diagram.

**N.B.:** Voor de velden aan weerszijden van een deuropening is een middenschoor nodig. (1.6 - 1.9)

### 2. ZIJKANTCONSTRUCTIE

Monteer de muurprofielen (4248 / 4249) met kalfjes (5546) (2.1) en horizontale profielen (4261 / 4262) (2.2) (2.3). Monteer de glasprofielen (4232) losjes tussen de kalfjes en de horizontale profielen (1.2) (2.5).

Monteer beide zijconstructies losjes aan de voorconstructie m.i.v. diagonale schoren (4233) (2.4) (2.6) (2.7) en zo nodig middenschoren (2096) en (2097).

Monteer de hoekprofielen van het dak (4237 / 4238) tussen de muurprofielen (4248 / 4249) en het zijkantprofiel (4227 / 4228 / 4229) m.b.v. hoekplaten (1092) (2.8) (2.12).

Monteer de nokbalk (4251 / 4252 / 4253) losjes tussen de hoekprofielen van het dak m.b.v. platen (1092) (2.8) (2.9).

Monteer de glasprofielen (4241 / 4242) en (4243 / 4244) losjes tussen de horizontale profielen (4261 / 4262) en de hoekprofielen van het dak (4237 / 4238) (2.10) (2.11).

### 3. DAKMONTAGE

Plaats het/de glasprofiel(en) van het dak (4255) op de nokbalk (3.4) en over het zijkantprofiel (3.5).

**N.B.:** Op dit punt moeten twee extra bouten in het boutkanaal in de glasprofielen (4255) worden aangebracht, om later het dakraam en de versterkings (3.4) (3.5) te monteren.

Monteer de dakversterkings (4270) losjes onder de glasprofielen (4255) (3.6) (3.8).

Installeer de extra bouten in (4255) in de geprepareerde gaten (3.7). **N.B.:** Zorg ervoor dat de dakprofielen (4255) tegen de lip op de nokbalk liggen.

Verbind het gootprofiel (4264 / 4265 / 4266) losjes met de glasprofielen van het dak (4255) (3.9) en beide hoekprofielen van het dak (4237 / 4238) (3.10) (3.11).

### 4. MONTAGE OP MUUR

Plaats nu uw kas op de voorbereide fundering/fundatie en bevestig het geheel losjes. Kijk na of de kas volledig haaks en waterpas staat en draai alle moertjes stevig aan.

Belast deze niet met teveel kracht bij het aandraaien. (Max. 3Nm)

Zorg ervoor dat de zijkanten perfect verticaal zijn. Neem nota van de vooraf geboorde gaten in de verticale muurprofielen (4248 / 4249) en de nokbalk (4251 / 4252 / 4253) en markeer deze op de muur.

Verwijder het frame van de fundering.

Boor gaten volgens de markering in de muur en plaats muurpluggen in de muur. (De boor en de muurpluggen zijn niet inbegrepen).

Zet het frame terug op de fundering en verbind het met de muur m.b.v. schroeven (niet meegeleverd) (4.1) & (4.2).

Monteer ten slotte het frame op de fundering.

## 5A. ENKELVOUDIGE DEUREN

**Attentie: Zet de gemonteerde deur niet op de deurgeleiders (1014), dit om beschadiging te voorkomen.**

Duw de deurgeleiders (1014) in beide kanten van het deurprofiel (1360) (5.1).

Assembleer de deur zoals op de tekening in diagram 5.

Schroef het deurprofiel (1362) aan het bovengelegen profiel (1359) (5A.3) en schuif de deurrubbers (3021) in de beide zijprofielen (4059) (5.5). Schuif bouten (1500) in de onderkant van het boutkanaal met borstelrubbers (3021) en zet deze vast op hun plaats met een moer (1515) (5.6). Snij de deurrubbers (3021) op de juiste lengte.

Verbind de deurwielletjes (1015) met boutje (1304), ringetje (1009) en moertje (1007) aan het deurprofiel (1362) (5.4).

Monteer het deurrailprofiel (1347) op het horizontale profiel (4261 / 4262) (5A.7), of als er een enkelvoudige deur aan de voorkant van de kas moet zijn, op het profiel van de zijkant (4227 / 4228 / 4229) (5B.7).

Schuif nu de deurwielletjes in het deurrailprofiel (1347) (5A.8) / (5B.8). Zorg ervoor dat de deurgeleiders aan de onderkant ook in de geleiding lopen (5.9). Als de deur eenmaal op de goede plaats zit, dan kunt u door middel van moertjes en boutjes op beide einden van het deurrailprofiel (1347) deurstoppes creëren. (5A.8) / (5B.8).

Plaats de deur zodat hij soepel loopt.

## 5BL EN 5BR. DUBBELE DEUREN

**Attentie: Zet de gemonteerde deur niet op de deurgeleiders (1014), dit om beschadiging te voorkomen.**

Duw de deurgeleiders (1014) in beide kanten van het deurprofiel (1360) (5.1).

Assembleer de deuren zoals op de tekening in diagram 5B.

Schroef het deurprofiel (1362) aan het bovengelegen profiel (1359) (5B.3) en schuif de deurrubbers (3021) in de deurprofielen (4059) (5.5). Schuif bouten (1500) in de onderkant van het boutkanaal met borstelrubbers (3021) en zet deze vast op hun plaats met een moer (1515) (5.6). Snij de deurrubbers (3021) op de juiste lengte. Controleer of het profiel (4098) links zit (5BL) en het profiel (4099) rechts (5BR).

Verbind de deurwielletjes (1015) met boutje

(1304), ringetje (1009) en moertje (1007) aan het deurprofiel (1362) (5.4).

Monteer het deurrailprofiel (1347) op het profiel van de zijkant (4227 / 4228 / 4229) (5B.7). Monteer bout (2001) bij de onderlinge verbinding (1347) zoals op de tekening.

Schuif nu de deurwielletjes in het deurrailprofiel (1347) (5B.8). Zorg ervoor dat de deurgeleiders aan de onderkant ook in de geleiding lopen (5.9). Als de deuren eenmaal op de goede plaats zitten, dan kunt u door middel van moertjes en boutjes op de einden van beide deurrailprofielen (1347) deurstoppes creëren.

Plaats de deuren zodat zij soepel lopen.

## 6. DAKRAAM

Bevestig de zijprofielen (1065) aan het topprofiel (1064), afhankelijk van de dikte van het glas.

Tot 4 mm, zie (6.1). Voor 4 mm en hoger, zie (6.2).

Plaats de boutjes in de voorgeboorde gaatjes om het onderprofiel (1066) te verbinden. Schuif dan het glas in de zijprofielen (1065) (6.3).

Verbind nu het onderprofiel (1066) en zorg er voor dat het raam volkomen recht zit alvorens alle boutjes aan te draaien.

Bevestig de raamopener (1067) met het onderprofiel (1066) door middel van schroeven (1006) (6.8).

Bevestig beide raamuitzetpinnen (2016) op het kalfje (1063) door middel van de schroeven (1006) (6.8). Plaats dan het plastic dopje (1019) over het eind van de raamopener (6.6).

Positioneer het raam in de nokbalk vanaf één kant (6.4) en (6.5), en schuif het in de juiste positie (6.6).

Monteer het kalfje (1063), met de extra bouten (1001) in de glasprofielen (4255), tussen de glasprofielen (4255) en de verstevigers (4270) (6.6) (6.7).

## 7A. & 7B. BEGLAZING – POLYCARBONAAT

Denkt u alstublieft aan de al eerder genoemde veiligheidsregels.

Duw de beglazingsprofielen (1020) op de aluminium profielen (7A.4) (7B.1) en snij ze op de juiste lengte.

Belangrijk! De UV-bestendige kant wordt aangegeven door de kunststoffolie en de bedrukking op de rand. Deze kant moet naar buiten zitten. Verwijder de folie. N.B.! Verwijder de folie pas helemaal als de ruit in de kas is geplaatst. (De ruiten worden marginaal korter gesneden om uitzetting in warme omstandigheden toe te staan.)

Om de polycarbonaat ruiten extra stabiliteit te geven wordt geadviseerd om hen met een schroef en ringetje vast te maken aan het aluminium onderprofiel, in het midden van elke ruit (7A.3) (7B.3). Om dit te bereiken moet een gat van 2 mm door de ruit en het aluminium profiel worden geboord. De boor is niet inbegrepen.

(\*): De schroeven en ringetjes zijn inbegrepen bij de polycarbonaat ruiten.

## 7A. BEGLAZING – BLANK GLAS

Fixeer de polycarbonaat ruiten voor de beglazing op het dak op hun plaats met de bevestigingsstrips tegen wind (6600) (7A.2) en noteer het voor elke ruit vereiste aantal.

Begin aan de zijkant door het glas onderaan aan te brengen en zet het daarna vast met de veerclips (1011) (7.2). De volgende glasplaat moet precies over de direct eronder liggende glasplaat worden geschoven en op zijn plaats worden gehouden met de Z-clips (1012) tussen de platen in (7A.6).

## 7B. BEGLAZING – POLYCARBONAAT

Fixeer de polycarbonaat ruiten voor de beglazing op hun plaats met de veerclips voor beglazing (1011) (7B.2) en noteer het voor elke ruit vereiste aantal.

## 8. VALPIJPEN

Monteer de onderdelen van de valpijp aan beide kanten van de kas zoals op de tekening, (8.1) tot (8.6). Zorg ervoor dat de aansluiting (1417) wordt opgenomen tussen (1408) en (1402) (8.2).

## AFWERKING

Desgewenst kan de kas aan de randen worden afgedicht met neutrale siliconenkit. Silicone is niet inbegrepen.

Plaats het waarschuwingslabel aan de binnenkant van de kas.

Er is een compleet assortiment accessoires beschikbaar om dit product ten volle te benutten. Voor meer informatie kunt u contact opnemen met uw leverancier.

## VEILIGHEIDSREGELS

Sluit bij zware wind altijd alle deuren en ramen.

Houd bij zware sneeuwval het dak van de kas vrij of zorg voor een goede ondersteuning van het dak. Verwarm de kas in de winter.

## COMMENTAAR

Voor de gehele bescherming van uw nieuwe kas raden wij u aan om deze op te nemen in uw opstalverzekering. Denk er ook aan dat de kas aan alle bouweisen moet voldoen en houd ook rekening met de plaats van de kas.

Plak alstublieft de inbegrepen sticker van het kasmodel op het deurprofiel (1362) nadat de kas succesvol is geïnstalleerd. Deze informatie is belangrijk voor het vervangen van onderdelen in de toekomst.

Bewaar de instructies op een veilige plek zodat u deze nog altijd kunt nalezen.

Ons beleid is gebaseerd op het continu verbeteren van onze producten en hierdoor behouden wij ons het recht voor om modellen te veranderen zonder verdere berichtgeving.

## 1. VENLIGST LÆS DENNE MONTAGEVEJLEDNING INDEN DE GÅR I GANG MED SAMLING AF DERES DRIVHUS.

- Når De arbejder med glas eller polykarbonat, skal De altid bruge handsker. Skarpe kanter kan forårsage skader. Også skarpe kanter eller hjørner på aluminiumsprofiler kan forårsage skader – brug derfor også altid handsker ved montering af disse.
  - Dette produkt er konstrueret som et drivhus beregnet til planteavl og er som sådan ikke konstrueret til at være helt tæt, da det er nødvendigt med udluftning bl.a. for at undgå kondensdannelse. Såfremt De ønsker at anvende drivhuset som et "uderum/stue" eller lignende, gør vi udtrykkeligt opmærksom på, at drivhuset ikke er 100 % vandtæt, og at vi ikke påtager os noget ansvar for eventuelle skader på løsøre el. lign., der er anbragt i drivhuset.
  - Til montage af dette produkt kræves 2 personer.
  - Skulle De få problemer med drivhusmontagen eller med glasisætningen, bedes De sætte Dem i forbindelse med Deres forhandler – **anvend ikke vold!**
  - Den vedlagte selvklæbende identifikationsetiket anbringes indvendigt i drivhuset – f.eks. indvendig på døren eller lign. Oplysningerne på etiketten vil gøre det meget lettere for Dem at fremskaffe reservedele, såfremt dette skulle blive aktuelt.
- Vi ønsker Dem god arbejdslyst og håber, at De får rigtig mange gode stunder med og i Deres Vitavia drivhus.

## Montage

### PLACERING

Vælg et solrigt sted, hvor der er mest muligt læ.

### VIGTIGT

Før De begynder at samle Deres drivhus/ udestue, kontroller venligst efter indholdsfortegnelsen, at alle dele er medleveret. Tag de enkelte bundter ud af kassen for bedre at kunne kontrollere indholdet.

Det er vigtigt ikke at blande de åbnede bundter.

Hvis der mangler noget, kontakt venligst Deres forhandler.

**Vigtigt!** Den UV-bestandige side på polycarbonatpladerne er markeret med en folie. Denne side skal vende udad. Fjern folien før montage som beskrevet i afsnit 7PC.

**NB!** Såfremt De anvender en akku-maskine til samling af bolte og møtrikker, må momentet maksimalt være **3 Nm**.

### NØDVENDIGT VÆRKTØJ

Skruetrækker (stjerne PH2 og PZ2), Akkuboremaskine med moment, 1x10 mm fastnøgle, 1x10 mm gaffelnøgle, 1 målebånd/tommestok, 1 vinkel, 1 vaterpas, 1 hobbykniv, 1 skævbider, trappestige 1,80 m.

### VEDLIGEHOOLDELSE

Drivhuset bør lejlighedsvis rengøres grundigt med et mildt rengøringsmiddel. Glasset kan rengøres med et hvilket som helst rengøringsmiddel, der ikke skader aluminiumsprofiler eller kunststof.

Dørskinnerne bør regelmæssigt rengøres og smøres med stearin/grafitolie.

### 0. FUNDAMENT

**Vigtigt!** Anvend en stor vinkel og et vaterpas til at kontrollere, at soklen er vandret, og at alle vinkler er 90°. Dette kan også sikres ved, at krydsmålene er ens, som vist på tegning 0.

Vi anbefaler, at drivhuset anbringes på et solidt fundament.

Til alle Vitavia drivhusmodeller fås en galvaniseret stålsokkel som tilbehør.

**NB!** Skal drivhuset placeres et vindudsat sted, anbefaler vi, at man borer hul igennem bundskinnen og stålsoklen og bolter disse sammen med bolte og møtrikker).

Ønsker De selv at bygge et sten- eller betonfundament, følg da dimensionerne, som er vist i afsnit 0. Fastgør en trykimpregneret træliste mellem fundamentet og bundskinnen på drivhuset som vist. Materialer til dette indgår ikke i

leverancen.

Ved støbning af fundament bør dette gå ned i frostfri dybde. Derved reduceres risikoen for, at der opstår skader på huset som følge af frostpåvirkninger af jorden.

**NB!** Støbning/fastgørelse til undergrunden er i mange tilfælde et krav fra forsikringselskaber for at opnå forsikringsdækning på drivhuset. Vi anbefaler, at De kontakter Deres forsikringselskab for at høre om reglerne, der er gældende hos Deres selskab.

**Alle tegninger af drivhuset er set indefra, undtagen de tegninger, hvor der er dobbeltstreg udenom. Disse er set udefra.**

### 1. FRONT

Placer delene på jorden og bolt dem løst sammen.

Hjørneplade (1092) skrues løst på de øverste hjørner (1.5).

**NB!** Det er muligt at placere dørene i flere positioner:

Dobbelt skydedøre kan placeres i fronten af drivhuset i to vilkårlige tilstødende sektioner med undtagelse af hjørnesektioner. (Se afsnit 5B).

Enkelt skydedøre kan placeres i forskellige kombinationer i fronten eller i drivhusets gavle. (Se afsnit 5A).

En enkelt skydedør i hver gavl er angivet som "SDS".

Tag venligst på dette tidspunkt stilling til hvorledes og hvor, De ønsker dørene placeret og følg anvisningerne i det respektive diagram.

**NB!** Der skal anbringes en vandret afstivningsprofil (2096 / 2097) i sektionen ved siden af en døråbning, se (1.6-1.9).

### 2. SAMLING AF SIDER

Forbind murprofilerne (4248 / 4249) med bundprofilerne (5546), se (2.1) og overligger (4261 / 4262), se (2.2) og (2.3). Monter løst sideprofilerne (4232) mellem bundprofilen (5546) og overligger (4261 / 4262), se (1.2) og (2.5).

Spænd begge de samlede sider løst sammen med den tidligere samlede front og monter samtidigt skræstivere (4233), se (2.4), (2.6) og (2.7) og hvis påkrævet også de vandrette afstivningsprofiler (2096 / 2097).

Monter løst tagafslutningsprofiler (4237 / 4238) mellem murprofilerne (4248 / 4249) og forreste tagafslutningsprofil (4227 / 4228 / 4229) ved hjælp af hjørnebeslag (1092), se (2.8) og (2.12).

Monter løst tagremmen (4250 / 4251 / 4253)

mellem tagafslutningsprofilerne ved hjælp af hjørneplade (1092), se (2.8) og (2.9).

Monter løst mellemstøtteprofiler (4241 / 4242) og (4243 / 4244) mellem overligger (4261 / 4262) og tagafslutningsprofil (4237 / 4238), se (2.10) og (2.11).

### 3. SAMLING AF TAG

Placer tagprofil(erne) på tagremmen (3.4) og tagafslutningsprofilen i drivhusets front (3.5).

**NB!** Husk at komme to ekstra bolte i sporet på tagprofilerne (4255). Disse skal senere anvendes til af fastgøre tagvindue og afstivere (3.4) og (3.5).

Monter løst tagafstivere (4270) under tagprofiler (4255), se (3.6) og (3.8).

De formonterede ekstra bolte i (4255) skal gå gennem de forstansede huller, se (3.7).

**NB!** Sørg omhyggeligt for, at tagprofilerne (4255) støder an mod vulsten på tagremmen. Forbind løst tagrenden (4264 / 4265 / 4266) med tagprofilerne (4255), se (3.9) og med begge tagafslutningsprofiler (4237 / 4238), se (3.10) og (3.11).

### 4. FASTGØRELSE TIL MUR

Anbring drivhuset på sokkelen/den klargjorte plads og fastgør profilerne løst. Juster drivhuset indtil det er fuldstændig i vinkel og vater. Derefter strammes alle bolte. Undgå at over-spænde boltene!

**Anvend max. moment 3Nm.**

Drivhusets sider skal være helt lodrette.

De forborede huller i de lodrette murbjælker (4248/4049) og i tagremmen/tagryggen markeres på muren.

Flyt drivhusprofilerne fra fundamentet.

I hulmarkeringerne bores huller med et murbor og der anbringes murplugs i hullerne, (murbor og plugs ikke medleveret).

Anbring atter profilerne på fundamentet og fastgør dem til muren med skruer (ikke medleveret), se (3.1 & 3.2).

Fastgør eventuelt bundprofilerne til fundamentet.

### 5A. ENKELTSKYDEDØR

**NB!** Undgå at stille den samlede dør på dørgliderne (1014).

Tryk dørglider (1014) fast på enderne af dørgliderprofil (1360), se (5.1).

Døren samles som vist på tegning 5.

Hjulskinne (1362) skrues på øverste dørskinne (1359) (5A.3). Monter tætningslister (3021) i

de lodrette dørprofiler (4059) (5.5).

Anbring bolt (1500) foruden i sporet på den lodrette dørprofil (4059) til at holde tætningsliste (3021) på plads. Fastgør bolt (1500) med møtrik (1515) (5.6).

Tætningslisten (3021) tilpasses i længden. Skru dørhjul (1015) på køreskinne (1362) med bolt (1304), skive (1009) og møtrik (1007) (5.4).

**NB!** Det er vigtigt at vende dørhjul (1015) som vist på (5A.8).

Fastgør dørglideskinne (1347) til overligger (4261 / 4262), (5A.7), eller hvis en enkelt skydedør skal monteres i fronten fastgøres dørglideskinne (1347) til den forreste tagrem (4227 / 4228 / 4229), se (5B.7).

Skub hjulskinnen (1362) ind i dørglideskinne (1347), se (5A.8) / (5A.7). Sørg for, at nederste dørskinne kører på bundskinnen, se (5.9).

Når dette er gjort, monteres en bolt og møtrik som dørstop i begge ender af dørglideskinne (1347), (5A.8) / (5B.8).

Juster hjulskinnen (1362), så døren kører let.

## 5BL OG 5BR. DOBBELTE SKYDEDØRE

**NB!** Undgå at stille de samlede døre på dørgliden (1014).

Tryk dørglider (1014) fast på enderne af dørprofil (1360), se (5.1).

Dørene samles som vist på tegning 5.

Hjulskinne (1362) skrues på øverste dørskinne (1359) (5B.3). Monter tætningslister (3021) i de lodrette dørprofiler (4059) (5.5).

Anbring bolt (1500) foruden i sporet på den lodrette dørprofil (4059) til at holde tætningsliste (3021) på plads. Fastgør bolt (1500) med møtrik (1515) (5.6). Tætningslisten (3021) tilpasses i længden.

Vær opmærksom på at anvende (4098) som inderste lodrette dørskinne i højre side (5 BR) og (4099) i venstre side (5BL).

Skru dørhjul (1015) på køreskinne (1362) med bolt (1304), skive (1009) og møtrik (1007) (5.4).

**NB!** Det er vigtigt at vende dørhjul (1015) som vist på (5A.8).

Fastgør dørglideskinne (1347) til den forreste tagrem (4227 / 4228 / 4229), se (5B.7).

Monter bolt (2001) ved overgangen mellem de to dørglideskinner (1347) som vist i den store cirkel. **TIP:** Lad bolthovedet gå ind i sporet på tagprofil (4255) for yderligere at stabilisere dørskinnerne.

Skub hjulskinnen (1362) ind i dørglideskinne (1347), se (5B.8). Sørg for, at nederste dørskinne kører på bundskinnen, se (5.9).

Når dette er gjort, monteres en bolt og møtrik som dørstop i begge ender af dørglideskinne (1347), (5A.8) / (5B.8).

Juster hjulskinnerne (1362), så dørene kører let.

## 6. TAGVINDUE

Skru tagvinduet sammen som vist i illustrationen.

Sideprofiler (1065) skrues på topskinne (1064). Ved 3 mm drivhusglas benyttes metoden i (6.1); er glasset tykkere, benyttes metoden i (6.2).

Kom bolte i det nederste vinduesprofil (1066) i de forberede huller og lad glasset glide ind sideprofilerne (1065) som vist i (6.3).

Nederste vinduesprofil (1066) boltes sammen med sidestykkerne.

**NB!** Vinduet skal være i vinkel, før boltene strammes til.

Monter udskyderstang (1067) på nederste vinduesprofil (1066). Brug skrue (1006) som i (6.8).

Tryk plastic hæften fast på enden af udskyderstang (6.6). Monter begge pløkker (2016) på vinduets underkarm (1063) med skrue (1006) som i (6.8).

Skub tagvinduet ind i sporet i tagryggen (start ved en af gavlene) (6.4/6.5) og anbring det i den ønskede position, (6.6).

Anvend de allerede monterede bolte (1001) til at fastgøre vinduets underkarm (1063) i tagspærret (4255) mellem tagspærret (4255) og tagafstiveren (4270) som vist i (6.6) og (6.7).

## 7A. TAGET - MONTERING AF POLYCARBONAT

Bemærk venligst ovennævnte sikkerhedsforanstaltninger.

Tryk gummliste (1020) fast på aluminiumsprofilerne (7A.4) og (7b.1) og skær til i rette længde.

**TIP:** Hvis det senere viser sig at være svært at montere plasticliste (6600) ved gavprofilerne, undlades det at montere (1020) på disse.

**Vigtigt!** Den UV-beständige side er markeret med en folie. Denne side skal vende udad.

Folien løsnes let hele vejen rundt, men bør først fjernes helt, når polycarbonatpladen er monteret, da det er umuligt at se med det blotte øje, hvilken side af pladen, der er behandlet med UV-beskyttelse. Når pladerne er monteret, fjernes folien. (Polycarbonatpladerne er bevidst skåret kortere, da materialet kan udvide sig meget i varme).

Fastgør polycarbonatpladerne ved hjælp af plastlister (6600), se (7A.2).

For yderligere at vindsikre polycarbonatpladerne anbefales det specielt i vindudsatte områder at sikre polycarbonatpladerne ved at fastgøre dem ved hjælp af selvsikrørende skrue og mellemlægsskiver, se (7A.3) (7B.3). I taget anvendes selvsikrørende skrue af type 2 som vist på den store illustration i de små cirkler og fig. (7A.3) (7B.3).

Der bores et hul med et 2 mm bor (ikke medleveret) gennem polycarbonatpladerne ned igennem den bagvedliggende aluminiumsprofil, hvorefter pladen fastspændes med en selvsikrørende skrue. Husk at lægge en mellemlægsskive under skruerhovedet. Selvsikrørende skrue og mellemlægsskiver leveres sammen med polycarbonatpladerne.

## 7B. FRONT OG SIDER - MONTERING AF GLAS

Bemærk venligst ovennævnte sikkerhedsforanstaltninger.

Tryk gummliste (1020) fast på aluminiumsprofilerne (7A.4) og (7B.1) og skær til i rette længde.

Start med det nederste glas i en sektion.

Glasset fastgøres ved hjælp af glasclips (1011) som i (7A.5). Derefter påsættes glassholdere (1012) (7A.6). Det næste glas anbringes de allerede monterede glassholdere (1012), således at dette glas danner et overlæg på ca. 8-10 mm udenpå det første glas. Derefter fastgøres glasset med glasclips (1011) som i (7A.5).

Sæt glas i resten af drivhusets front og sider på samme måde.

## 8. NEDLØBSRØR

Pres nedløbsrøret (1408) ind i den ene ende af tagrende (4264 / 4265 / 4266), se

(8.1).

Overgangsstykke (1417) monteres mellem (1408) og bøjning (1402), se (8.2).

Derefter monteres overgangsstykke (1416) mellem den allerede monterede bøjning (1402) og yderligere en bøjning (1402), se (8.2).

Nedløbsrøret (1413) skubbes derefter op på (1402) til det sidder fast.

Derefter fastgøres nedløbsrøret til hjørnestolpen ved at montere et klembeslag (1403) øverst og et klembeslag (1403) nederst på nedløbsrøret som vist i (8.5). Klembeslag (1403) fastgøres til nedløbsrør (1413) ved hjælp af skrue (1006), se (8.4) og (8.6).

Udløbsbøjning (1402) monteres som vist i (8.4).

## FÆRDIGGØRELSE

Hvis De ønsker at tætte hjørner og samlinger kan dette gøres med silikone (ikke inkluderet). Vær dog opmærksom på, at jo tættere huset er, jo mere kondens vil der blive dannet.

Den vedlagte selvklebende identifikationsetiket kan med fordel anbringes indvendigt i drivhuset. Oplysningerne på etiketten vil gøre det meget lettere for Dem at fremskaffe reservedele, såfremt dette skulle blive aktuelt.

Vitavia tilbyder et stort tilbehørsprogram, der gør det let at få optimalt udbytte af drivhuset. Kontakt Deres forhandler for yderligere oplysninger eller læs mere på vor hjemmeside [www.vitavia.dk](http://www.vitavia.dk)

Ca. 2 uger efter færdiggørelse kontrolleres det, at alle møtrikker er spændt korrekt.

## SIKKERHEDSANVISNING

**Brug arbejdshandsker, da nogle af delene kan have skarpe kanter.**

I tilfælde af stærk blæst eller storm: Luk alle oplukkede vinduer og døre, afmonter om nødvendigt eventuelle automatisk vinduesåbnere. Se endvidere vor hjemmeside [www.vitavia.dk](http://www.vitavia.dk), hvor De finder gode råd til forebyggelse af stormskader.

I tilfælde af stormskade kan der være mange glasstumper, som skal fjernes med stor forsigtighed for at undgå personskader.

I tilfælde af kraftigt snefald: Ryd drivhusets tag for sne og træf passende foranstaltninger til at understøtte taget f.eks. med en stolpe el. lign.

## ANMÆRKNINGER

Vi anbefaler, at De sørger for, at Deres husforsikring også dækker Deres drivhus.

Overhold alle byggevedtægter. Kontakt Teknisk Forvaltning i Deres kommune, hvis De er i tvivl.

Vi forbeholder os ret til uden varsel at foretage løbende produktjusteringer. På vor hjemmeside [www.vitavia.dk](http://www.vitavia.dk) vil De altid kunne downloade den nyeste manual, som derfor kan afvige lidt fra Deres produkt.

Manualens udgave kan identificeres ved hjælp af den talkode, der er trykt nederst på hver side i manualen. På hjemmesiden kan De også læse mere om vort store udvalg i tilbehørsartikler.

Alle målangivelser er ca.-mål.

Typebetegnelsen skal De bruge ved bestilling af evt. reservedele, så venligst opbevar montagevejledningen til senere brug.

Vi ønsker Dem god arbejdslyst og håber, at De får rigtig mange gode stunder med og i Deres Vitavia drivhus.

## 1. LÄS IGENOM MONTERINGSANVISNINGEN INNAN NI BÖRJAR MONTERA VÄXTHUSET.

- När man hanterar glas eller polykarbonat skall man alltid använda handskar. Vassa kanter kan förorsaka skador. Vassa kanter eller hörn på aluminiumprofilerna kan också förorsaka skador, använd därför även handskar vid montering av dessa.
- Denna produkt är konstruerad för att vara ett växthus och har inte en helt tät konstruktion eftersom det är viktigt med luftgenomströmning för att undvika kondenser.

Om ni önskar använda växthuset som uterum eller liknande, vill vi göra er uppmärksam på att växthuset inte är 100% vattentätt och att vi inte tar på oss något ansvar för skador på eventuellt lösöre som är placerat i växthuset.

- Det krävs två personer för att montera detta växthus.

- Om det skulle visa sig svårt att montera växthuset eller att sätta i glaset eller polykarbonatet, skall råd begäras av växthusets återförsäljare. - **Bruka ej våld.**

- Växthuset måste förankras.

## Monteringsanvisning

### PLACERING

Välj en solig plats med mesta möjliga solljus på taket. Välj en plats som är skyddad mot vind så mycket som möjligt.

### VIKTIGT

Innan monteringen av växthuset påbörjas, bör delarna kontrolleras mot detaljförteckningen. För att kunna identifiera delarna skall de packas upp ur lådan.

Det är viktigt att de öppnade buntarna inte blandas samman.

Om något saknas kontakta din återförsäljare.

**Muttrar (1002) får ej dras åt för hårt, max 3Nm**

### ERFORDERLIGA VERKTYG

Skruvmejslar (flat och kryss PH2), 10mm hylsnyckel och fast nyckel, kniv, tumstock, vattenpass, skruvdragare och stege.

### UNDERHÅLL

För att hålla växthuset rent skall det då och då tvättas med en svag lösning av diskmedel.

Glaset kan göras rent med något rengöringsmedel som inte skadar aluminiumprofilerna eller glasklämmorna.

Håll både övre och undra dörrglidsskenorna rena från smuts.

### 0. GRUND

Kontrollera att grunden är i vinkel och vågrät. En monteringsfärdig stålsockel finns för alla modeller och kan erhållas från återförsäljaren. På utsatta platser bör man borra hål i bottenprofilen och sockeln och dra ihop dem med bult och mutter. Den som vill bygga en tegel- eller betonggrund bör följa dimensionerna som anges i avsnitt 0. Montera läkt såsom bilden visar och borra igenom bottenprofilerna i mitten på varje fack. Lämna tillräckligt utrymme för glaset och fäst växthuset med 12x50 mm skruvar.

Fundament måste fästas på frostfritt djup.

**Alla bilder på växthuset är visade inifrån med undantag från de bilder som har dubbla ringar runt sig, dessa är visade utifrån.**

### 1. FRAMSIDA

**Välj rätt sida i monteringsanvisningen beroende på vilken storlek på växthus du har köpt.**

Lägg ut delarna på marken och sätt ihop dem löst med bult och mutter enligt ritning 1.

Fäst hörnplattorna (1092) löst (1.5)

Notera att dörrarna kan monteras på flera olika ställen i växthuset.

Dubbeldörrarna kan monteras inom vilka 2 sektioner som helst på framsidan, förutom i hörnorna. Se sektion 5B

Två enkeldörrar kan monteras på gavlarna eller på framsidan av växthuset. Se sektion 5A.

En enkeldörr i vardera gavel markeras "SDS".

Bestäm i detta läge hur och var du önskar placera dörrarna och följ respektive ritning Sektionerna på vardera sida om dörrarna kräver en förstärkning. Se (1.6 – 1.9)

### 2. MONTERING

Montera ihop de bakre lodräta stolparna (4249/4248) med gavlarnas bottenprofiler (5546) (2.1) samt de vågräta mittenprofilerna (4261/4262) (2.2) (2.3). Fäst sidoprofilerna (4232) i bottenprofilen och mittenprofilen på båda gavlarna (2.2) (2.5)

Fäst gavlarna löst på framsidan inklusive de diagonala strävorna (4233) (2.4) (2.6) (2.7) och om nödvändigt förstärkningar (2096) (2097) för dörrarna.

Fäst takets gavelprofil (4237/4238) löst mellan de bakre lodräta stolparna (4248/4249) och framsidans övre profil (4227/4228/4229) med

hörnplattor (1092) (2.8) (2.12)

Fäst taknocken (4250/4251/4252) mellan de bakre lodräta hörnstolparna med hjälp av hörnplattor (1092) (2.8) (2.9)

Montera sedan de mellanliggande små profilerna (4241/4242) och (4243/4244) mellan takföt (4261/4262) och takås (4237/4238) (2.10) (2.11)

### 3. MONTERING AV TAKET

Fäst de mellanliggande takprofilerna (4255) på taknocken (3.4) och den främre takfotsprofilen (3.5)

För in 2 extra bult i spåren på (4255) för att senare kunna montera takfönster och förstärkningar (3.4) (3.5)

Fäst takförstärkningar (4270) under de mellanliggande takprofilerna (4255) (3.6) (3.8).

För in de extra bultarna som tidigare förts in i (4255) genom de förborrade hålen (3.7). Se till att de mellanliggande profilerna (4255) sitter mot läppen på taknocken (3.6)

Fäst hänggrännen (4264/4265/4266) löst i de mellanliggande profilerna (4255) (3.9) och de båda gavelprofilerna (4237/4238) (3.10) (3.11)

### 4. MONTERING MOT VÄGG

Lyft upp stommen på den iordningsställda grunden och fäst den lätt. Kontrollera att huset är rätvinkligt och i våg och drag åt bultarna något, **inte för hårt**. Gör markeringar på väggen efter de förborrade hålen i lodräta stolparna (4248/4249) och i taknocken.

Lyft ned huset från grunden och borra hål i dina markeringar. Lyft tillbaka växthuset på grunden och fäst det i väggen med skruv och plugg (medföljer ej)

Fäst bottenprofilerna i grunden.

### 5. ENKELDÖRRAR

**Undvik att ställa den monterade dörren på dörrgliden.**

Montera de undre dörrgliden (1014) på båda ändar av den nedre dörrprofilen (1360), (5.1)

Montera resten av dörren enligt ritning 5.  
Montera fast hjulskenan (1362) på den översta dörrprofilen (1359) enligt (5A.3). För in dörrtätningsskivan (3021) i de lodräta sidoprofilerna (4059)(5.5). För in bult (1500) i spåret på (4059) och fäst dörrtätningsskivan med mutter (1515) (5.6). Klipp dörrtätningsskivan till rätt längd.

Montera bägge hjulen (1015) på hjulskenan (1362) med bultar (1304), brickor (1009) och muttrar (1007) som visas i (5.4) OBS! Det är viktigt att vända dörrhjulet åt rätt håll, dvs med "halsen" mot 1362. (5A.8)

Fäst dörrglidskenan (1347) på den vågräta profilen (4261/4262) (5A.7) vid montering på gavel, eller på (4227/4228/4229) om en enkeldörr skall sitta på framsidan (5B.7) genom att föra in bult i (1347) och fästa dem genom hålen med mutter på (4261/4262) eller (4227/4228/4229)

För nu på dörren från sidan på dess "hjul" i profil (1347) (5A.8) (5B.8). Kontrollera även att de undre dörrgliden (1014) glider rätt på bottenprofilen se (5.9). Fäst en bult & mutter i vardera ände på dörrglidskenan (1347) som stopp (5A.8) (5B.8)

Justera dörren genom att lossa eller föra ihop de övre profilerna (1059 & 1362) så att den glider lätt.

## 5BL OCH 5BR. DUBBLA DÖRRAR

**Undvik att ställa den monterade dörren på dörrgliden.**

Montera de undre dörrgliden (1014) på båda ändar av den nedre dörrprofilen (1360),(5.1)

Montera resten av dörren enligt ritning 5.

Montera fast hjulskenan (1362) på den översta dörrprofilen (1359) enligt (5A.3). För in dörrtätningsskivan (3021) i de lodräta sidoprofilerna (4059)(5.5). För in bult (1500) i spåret på (4059) och fäst dörrtätningsskivan med mutter (1515) (5.6). Klipp dörrtätningsskivan till rätt längd. Notera att den inre profilen på vänster dörr är profil (4098) och höger dörrs inre profil är (4099). BILDERNA ÄR SEDDA INIFRÅN!

Montera bägge hjulen (1015) på hjulskenan (1362) med bultar (1304), brickor (1009) och muttrar (1007) som visas i (5.4). OBS! Det är viktigt att vända dörrhjulet åt rätt håll, dvs med "halsen" mot (1362).

Fäst dörrglidskenorna (1347) på den främre takfotsprofilen (4227/4228/4229) (5B.7) genom att föra in bult i (1347) och fästa dem genom hålen med mutter på (4227/4228/4229)

För ihop de båda (1347) och fäst dem i skarven med bult (2001)

För nu på dörren från sidan på dess "hjul" i profil (1347) (5B.8). Kontrollera även att de undre dörrgliden (1014) glider rätt på bottenprofilen se (5.9). Fäst en bult & mutter i vardera ände på dörrglidskenan (1347) som stopp.

Justera dörren genom att lossa eller föra ihop

de övre profilerna (1059 & 1362) så att den glider lätt.

## 6. TAKVENTILATION

Montera sidoprofilerna (1065) på övre profilen (1064) enligt (6.1) för max 3mm glas och enligt (6.2) för 4mm och över.

Sätt i bultarna i de förborrade hålen i sidoprofilerna för senare montering av bottenprofilen (1066).

För in glasskivan i spåren på sidoprofilerna (1065) (6.3).

Fäst nu bottenprofilen (1066) och se till att fönstret är rätvinkligt innan skruvarna dras åt.

Fäst fönsterhaken (1067) på den nedre fönsterprofilen (1066) med skruvar (6.8)

Sätt på skyddet (1019) på fönsterhaken.(6.6) och fäst de två hakarna (1016) på fönsterkarmen (1063) med skruvar (1006) (6.8).

För in ventilationen i taknockens spår från ena ändgaveln på växthuset (6.4) och (6.5) och skjut den till önskat läge (6.6).

Fäst fönsterkarmen (1063) med hjälp av de tidigare iförda bultarna i de mellanliggande profilerna (4255) mellan dessa och förstärkningarna (4270) med mutter (6.6) och (6.7). Kontrollera att rätt sida kommer uppåt.

## 7A. MONTERING AV POLYKARBONAT I TAKET

Vänligen notera säkerhetsföreskrifterna.

Fäst gummilisten (1020) på alla lodräta profiler som visas i (7A.4) (7B.1) och klipp dem i rätt längd.

Tips! Om det visar sig svårt att få på täcklist (6600) vid gavelprofilerna kan man undvika att montera gummilist (1020) på dessa profiler.

**Använd handskar, skivorna kan ha vassa kanter.**

**Viktigt!** Den UV-beständiga sidan av polykarbonatet har en skyddsfolie samt en markering på änden. Denna sida skall vara utåt. Ta ej bort skyddsfolien förrän hela huset är klart. Skivorna är något korta för att tillåta expanderingsvid värme.

Lägg polykarbonatskivorna på plats och fäst dem med täcklist (6600) se (7A.2)

För att ytterligare vindsäkra polykarbonatskivorna föreslår vi att i extra utsatta områden fästa skivorna med självdragande skruv och bricka, se (7A.3) (7B.3) I taket användes självdragande skruv typ 2 som visat på den stora teckningen i de små cirkelarna och figur (7A.3) (7B.3). Borra ett 2 mm hål i mitten på varje polykarbonat skiva och på motsvarande ställe i aluminiumprofilen och fäst med skruv och bricka som ligger i förpackningen med polykarbonatskivorna.

## 7B. MONTERING AV GLAS I FRONT OCH GAVLAR

Vänligen notera säkerhetsföreskrifterna

Tryck fast gummilist (1020) på samtliga lodräta aluminiumprofiler (7A.4) och (7B.1) och klipp dem i rätt längd.

Börja glasa nerifrån.

Glaset fästes med hjälp av clips (1011) som i (7A.5). Lägg sedan glaset omlott, utanför varandra med hjälp av glashållare (1012).

Överlappet skall vara ca 8-10 mm.

Montera resten av glaset likadant.

## 8. STUPRÖR

Tryck in röranslutningen (1408) i ena änden av takrännan (4264/4265/4266), se (8.1).

Övergången (1417) monteras mellan (1408) och böjen (1402) se (8.2).

Därefter fästes övergång (1416) mellan den redan monterade böjen (1402) och ytterligare en böj (1402), se (8.2).

Stupröret skjutes sedan på böjen (1402) tills det sitter fast.

Fäst nu stupröret i växthusets hömstolpe med hjälp av klämbeslag (1403), ett i vardera änden av röret. Se (8.5).

Klämbeslagen fästes i röret med hjälp av skruv (1006), se (8.4) och (8.6).

## FÄRDIGSTÄLLNING

Tryck in röranslutningen (1408) i ena änden av takrännan (4264/4265/4266), se (8.1).

Övergången (1417) monteras mellan (1408) och böjen (1402) se (8.2).

Därefter fästes övergång (1416) mellan den redan monterade böjen (1402) och ytterligare en böj (1402), se (8.2).

Stupröret skjutes sedan på böjen (1402) tills det sitter fast.

Fäst nu stupröret i växthusets hömstolpe med hjälp av klämbeslag (1403), ett i vardera änden av röret. Se (8.5).

Klämbeslagen fästes i röret med hjälp av skruv (1006), se (8.4) och (8.6).

## SÄKERHETSFÖRESKRIFTER

Vid kraftig vind skall fönster och dörrar stängas och reglas. Om nödvändigt skall ev. automatiska fönsteröppnare monteras ned.

Vid kraftigt snöoväder är det viktigt att rengöra taket från snö. Vi rekommenderar att taket stagas över vintern.

Vi föreslår att växthuset inkluderas i hemförsäkringen.

Vi förbehåller oss rätten att utan förvarning göra löpande förändringar av produkten.

Alla angivna mått är ca-mått.

## 1. LUE NÄMÄ OHJEET HUOLELLISESTI JA KOKONAAN ENNEN KUIN ALOITAT ASENNUKSEN.

- Osien terävät reunat ja kulmat voivat aiheuttaa vammoja. Käytä aina suojalaseja, -käsineitä, -jalkineita ja -kypärää, kun käsittelet alumiiniprofiileja, lasi- ja polykarbonaattilevyjä. Rikkoutunut lasi on turvallisuusriski – siivoa lasinsirut välittömästi ja hävitä ne asianmukaisesti.
- Ostamasi tuote on tarkoitettu vain kasvien kasvattamiseen ja tuotetta tulee käyttää vain tähän tarkoitukseen. Emme ota vastuuta, jos tuotetta käytetään muuhun tarkoitukseen.
- Suosittellemme, että vähintään 2–3 henkilöä kokoaa kasvihuoneen.
- Jos kasvihuoneen kokoamisessa tai lasien tai polykarbonaattilevyjen asentamisessa ilmenee vaikeuksia, ota yhteyttä jälleenmyyjään – **älä käytä voimaa!**
- Kasvihuone on aina ankkuroitava.

## Asennusohje

### SIJOITUSPAIKAN VALINTA

Valitse aurinkoinen paikka, joka on mahdollisimman suojassa tuulelta.

### TÄRKEÄÄ

Ennen kuin aloitat uuden kasvihuoneesi kokoamisen, tarkista, että kaikki luetellut osat sisältyvät toimitukseen. Ota jokainen osanippu pakkauksesta, jotta osien tunnistaminen on helpompaa.

On tärkeää, että avatut niput eivät sekoitu keskenään.

Jos jotain puuttuu, ota yhteyttä jälleenmyyjään.

**Tärkeää!** Polykarbonaattilevyjen UV-suojatun puolen tunnistaa muovikalvosta ja reunassa olevasta painatuksesta. Tämä puoli tulee asentaa ulospäin. Poista muovikalvo.

**Mutterit (1002) – maks. kiristysmomentti 3 Nm.**

### TARVITTAVAT TYÖKALUT

Ruuvimeisselit (tavallinen ja ristipää PH2), 10 mm:n hylsyavain tai kiintoavain, 10 mm:n lenkki-/kiintoavain, veitsi, mittatikku, vesivaaka ja akkuporakone, jossa on säädettävä väntömomentti.

### KUNNOSSAPITO

Kasvihuone tulee pestä ajoittain perusteellisesti miedolla pesuaineella. Tarkista, että käyttämäsi pesuaine sopii alumiinille tai lasin kiinnikkeille.

Puhdista säännöllisesti oven ala- ja yläkiskot, jotta niihin ei pääse kertymään likaa.

### 0. PERUSTUS

**Tärkeää!** Perustuksen on oltava tarkalleen suorakulmainen ja vaakasuorassa. Sinkkipinnoitettu terässokkeli on saatavana lisätarvikkeena kaikkiin kasvihuonemalleihin.

**(Huomio!)** Vain jos kasvihuone sijaitsee erittäin tuulisella ja suojattomalla paikalla: poraa reiät kasvihuoneen pohjarunkoon ja terässokkeliin,

ja kiinnitä ne toisiinsa muttereilla ja pulteilla.)

Jos haluat tehdä itse perustuksen kivistä tai betonista, noudata kuvassa 0 annettuja mittatietoja. Vähintään 18 mm paksut ja enintään 32 mm leveät käsitellyt puurimat on asennettava kivi-/betoniperustuksen ja alumiinirungon väliin ja kiinnitettävä perustukseen 50 mm:n pituisilla pulteilla (eivät sisälly toimitukseen).

Perustuksen tulee ulottua routarajan alapuolelle.

**Yhdellä ääriviivalla kehystetyt kuvat näyttävät näkymän kasvihuoneen sisältäpäin. Kahdella ääriviivalla kehystetyt kuvat näyttävät näkymän kasvihuoneen ulkopuolelta.**

### 1. ETUSEINÄ

Aseta kaikki osat lattialle ja kiinnitä ne löyhästi. Kiinnitä kulmavevyt (1092) löyhästi yläkulmiin (1.5).

**Huomaa:** Ovet voi asentaa moneen eri kohtaan.

Parioven voi asentaa kasvihuoneen etuseinälle mihin tahansa kohtaan kahden ruudun leveydelle. Pariovea ei voi asentaa kulmiin. (Katso kohta 5B).

Voit asentaa kaksi yksittäistä ovea haluamallasi tavoin kasvihuoneen sivu- tai etuseinille. (Katso kohta 5A).

Merkintä SDS tarkoittaa kahta yksittäistä ovea molemmilla sivuseinillä.

Päätä tässä vaiheessa, miten ja minne haluat asentaa ovet ja noudata vastaavan kuvan ohjeita.

**Huomaa:** Oven avauskohdan kummallakin puolella oleviin lasiruutuuihin tulee asentaa keskituki. (1.6–1.9)

### 2. SIVUSEINIEN ASENNUS

Kiinnitä seinäpalkit (4248/4249) alapalkkeihin (5546) (2.1) ja vaakasuoriin palkkeihin (4261/4262) (2.2) (2.3).

Kiinnitä lasituslistat (4232) löyhästi alapalkkien ja vaakasuorien palkkien väliin (1.2) (2.5).

Kiinnitä molemmat sivuseinät löyhästi etuseinään vinotuilla (4233) (2.4) (2.6) (2.7) ja tarvittaessa keskituilla (2096) ja (2097).

Kiinnitä katon kulmapalkit (4237/4238) löyhästi seinäpalkkien (4248/4249) ja räystäslistan (4227/4228/4229) väliin kulmavevyillä (1092) (2.8) (2.12).

Kiinnitä harjapalkki (4251/4252/4253) löyhästi katon kulmapalkkien väliin kulmavevyillä (1092) (2.8) (2.9).

Kiinnitä lasituslistat (4241/4242) ja (4243/4244) löyhästi vaakasuorien palkkien (4261/4262) ja katon kulmapalkkien väliin (4237/4238) (2.10) (2.11).

### 3. KATON ASENNUS

Aseta katon lasituslista(t) (4255) harjapalkin (3.4) päälle ja räystäslistan yli (3.5).

**Huomaa:** Lasituslistojen (4255) pulttiuriin on tässä vaiheessa lisättävä kaksi ylimääräistä pulttia myöhemmää kattoluukun ja vahvikelistojen kiinnittämistä varten (3.4) (3.5).

Kiinnitä katon vahvikelistat (4270) löyhästi lasituslistojen (4255) alle (3.6) (3.8).

Lisää ylimääräiset pultit lasituslistan (4255) valmiisiin reikiin (3.7). **Huomaa:** Varmista, että lasituslistat (4255) asettuvat harjapalkin kielekettä vasten.

Kiinnitä räystäskouru (4264/4265/4266) löyhästi katon lasituslistoihin (4255) (3.9) ja katon kulmapalkkeihin (4237/4238) (3.10) (3.11).

### 4. SEINÄÄN ASENNUS

Sijoita nyt kasvihuoneesi valmistelemallesi perustukselle ja kiinnitä löyhästi.

Säädä kasvihuonetta, kunnes se on täysin suorakulmainen, ja kiristä sitten pultit.

**Älä kiristä pultteja liian tiukalle. (Maks. 3 Nm)**

Varmista, että sivut ovat täysin pystysuorat.

Etsi pystysuorissa seinäpalkkeissa (4248/4249)



ja harjapalkissa (4251/4252/4253) olevat esiporatut reiät ja merkitse niiden kohdat seinään.

Siirrä runko pois perustuksen päältä.

Pora reiät seinään merkittyihin kohtiin ja aseta reikiin seinätulpat. (Pora ja seinätulpat eivät sisälly toimitukseen).

Siirrä runko takaisin perustuksen päälle ja kiinnitä se seinään ruuveilla (eivät sisälly toimitukseen) (4.1) ja (4.2).

Kiinnitä lopuksi runko perustukseen.

## 5A. YKSITTÄISET OVET

**Huomio: Älä nosta koottua ovea oviliukujen (1014) päälle, jotta oviliu'ut eivät vahingoitu.**

Työnnä oviliu'ut (1014) ovipalkin (1360) kumpaankin päähän (5.1).

Asenna ovi kuvan 5A mukaisesti.

Pulltaa ovikisko (1362) yläpalkkiin (1359) (5A.3) ja liu'uta ovitiivisteet (3021) molempiin sivupalkkeihin (4059) (5.5). Liu'uta pultit (1500) pulttiuran pohjalle, jotta harjatiivisteet (3021) pysyvät paikoillaan. Kiinnitä pultit muttereilla (1515) (5.6).

Leikkaa ovitiivisteet (3021) määrämittäisiksi.

Kiinnitä ovirullat (1015) ovikiskoon (1362) pultilla (1304), aluslevyllä (1009) ja mutterilla (1007) (5.4).

Kiinnitä liukukisko (1347) vaakasuoraan palkkiin (4261/4262) (5A.7), tai jos asennat yksittäisen oven kasvihuoneen etuseinälle, kiinnitä liukukisko räystäslistaan (4227 / 4228 / 4229) (5B.7).

Liu'uta nyt ovirullat liukukiskoon (1347) (5A.8) / (5B.8). Varmista, että oviliu'ut liikkuvat myös alauralla (5.9). Kun ovi on kunnolla paikoillaan, kiinnitä mutterit ja pultit liukukiskoon (1347) kumpaankin päähän ovenpysäyttimiksi. (5A.8) / (5B.8).

Säädä ovea niin, että se liikkuu vapaasti.

## 5BL JA 5BR. PARIOVET

**Huomio: Älä nosta koottuja ovia oviliukujen (1014) päälle, jotta oviliu'ut eivät vahingoitu.**

Työnnä oviliu'ut (1014) ovipalkin (1360) kumpaankin päähän (5.1).

Asenna ovet kuvan 5B mukaisesti.

Pulltaa ovikisko (1362) yläpalkkiin (1359) (5B.3) ja liu'uta ovitiivisteet (3021) molempiin sivupalkkeihin (4059) (5.5). Liu'uta pultit (1500) pulttiuran pohjalle, jotta harjatiivisteet (3021) pysyvät paikoillaan. Kiinnitä pultit muttereilla (1515) (5.6). Leikkaa ovitiivisteet (3021) määrämittäisiksi. Varmista, että oven sivupalkki (4098) on sijoitettu parioven vasempaan reunaan (5BL) ja sivupalkki (4099) parioven oikeaan reunaan (5BR).

Kiinnitä ovirullat (1015) ovikiskoon (1362) pultilla (1304), aluslevyllä (1009) ja mutterilla (1007) (5.4).

Kiinnitä liukukisko (1347) räystäslistaan (4227/4228/4229) (5B.7). Kiinnitä pultti (2001) ovikiskoon (1347) liitoskohtaan kuvan mukaisesti.

Liu'uta nyt ovirullat liukukiskoon (1347) (5B.8). Varmista, että oviliu'ut liikkuvat myös alauralla (5.9). Kun ovet ovat kunnolla paikoillaan, kiinnitä mutterit ja pultit kummankin liukukiskoon (1347) kumpaankin päähän ovenpysäyttimiksi.

Säädä ovia niin, että ne liikkuvat vapaasti.

## 6. KATTOLUUKKU

Kiinnitä sivupalkit (1065) ja yläpalkki (1064) lasin paksuuden mukaan seuraavasti:

Enintään 4 mm, katso (6.1). 4 mm tai yli, katso (6.2).

Aseta pultit valmiisiin reikiin alapalkin (1066) kiinnittämiseksi ja liu'uta sitten lasi sivupalkkien (1065) uriin (6.3).

Aseta nyt alapalkki (1066) paikoilleen ja varmista, että ikkuna on täysin suorakulmainen, ennen kuin kiristät pultit.

Kiinnitä kattoluukun avaaja (1067) alapalkkiin (1066) ruuveilla (1006) (6.8).

Aseta muovisuojus (1019) kattoluukun avaajan päähän (6.6) ja kiinnitä molemmat luukun tukipidikkeet (2016) ikkunakarmin (1063) ruuveilla (1006) (6.8).

Aseta kattoluukun toinen pää harjapalkkiin (6.4) ja (6.5) ja liu'uta se paikoilleen (6.6).

Kiinnitä ikkunakarmi (1063) lasituslistojen (4255) ylimääräisillä pulteilla (1001) lasituslistojen (4255) ja vahvikelistojen (4270) väliin (6.6) (6.7).

## 7A JA 7B. LASITUS – POLYKARBONAATTI

Noudata aiemmin annettuja turvallisuusohjeita.

Paina lasituslistoita (1020) alumiiniprofiileihin (7A.4) (7B.1) ja leikkaa määrämittäisiksi.

**Tärkeää!** UV-suojatun puolen tunnistaa muovikalvosta ja reunassa olevasta painatuksesta.

Tämä puoli tulee asentaa ulospäin. Poista muovikalvo.

**Huomaa!** Poista muovikalvo kokonaan, kun levy on asetettu paikoilleen kasvihuoneeseen.

(Levyt on leikattu reunoista lyhyemmiksi, koska ne voivat laajentua lämpimissä olosuhteissa.)

Suosittellemme kiinnittämään polykarbonaattilevyt levyjen keskeltä alla olevaan alumiiniprofiiliin ruuvilla ja aluslevyllä (7A.3) (7B.3). Näin levyt pysyvät paremmin paikoillaan. Levyjen ja alumiiniprofiilien läpi on porattava 2 mm:n kokoinen reikä. Pora ei sisälly toimitukseen.

(\*): Ruuvit ja aluslevyt toimitetaan polykarbonaattilevyjen mukana.

## 7A. LASITUS – KIRKAS LASI

Kiinnitä polykarbonaattilevyt kattoon kiinnityslistoilla (6600) (7A.2). Huomaa

jokaisen levyn kiinnitykseen tarvittavien listojen määrää.

Aloita seinien lasitus asettamalla lasilevyt ensin paikoilleen alareunastaan ja kiinnitä ne sitten jousikiinnikkeillä (1011) (7A.5). Seuraava levy tulee asettaa suoraan alla olevan levyn päälle. Levyt pitävät paikoillaan lasin kannatuspidikkeet (1012), jotka asennetaan levyjen väliin (7A.6).

## 7B. LASITUS – POLYKARBONAATTI

Kiinnitä polykarbonaattilevyt paikoilleen jousikiinnikkeillä (1011) (7B.2). Huomaa jokaisen levyn kiinnitykseen tarvittavien kiinnikkeiden määrää.

## 8. SYÖKSYPUTKET

Kiinnitä syöksyputket kasvihuoneen kummallekin puolelle kuvien mukaisesti (8.1)–(8.6). Varmista, että liitoskappale (1417) on osien (1408) ja (1402) välissä (8.2).

## VIIMEISTELY

Halutessasi voit tiivistää kasvihuoneen reunat neutraalilla silikonilla. Silikoni ei sisälly toimitukseen.

Kiinnitä varoitustarra kasvihuoneen sisäpuolelle.

Laajan lisätarvikevalikoiman avulla saat enemmän hyötyä irti kasvihuoneestasi. Pyydä lisätietoja paikalliselta jälleenmyyjältäsi.

## TURVALLISUUTTA KOSKEVA HUOMAUTUS

Sulje voimakkaalla tuulella kaikki ovet ja kattoluukut.

Jos lunta sataa paljon, poista rakennuksen katto tai ryhdy asianmukaisiin toimenpiteisiin katon tukemiseksi.

Lämmitä rakennusta talvella.

## HUOMIOITAVAA

Uuden kasvihuoneesi suojaamiseksi suosittellemme sisällyttämään sen kotivakuutukseen. Ota huomioon mahdolliset kasvihuoneen sijoittamista koskevat rakennusmääräykset.

Kiinnitä mukana toimitettu kasvihuoneen tuotetarra ovikiskoon (1362) asennuksen jälkeen. Tämä tieto on tärkeä, jos tarvitset myöhemmin varaosia.

Säilytä asennusohje turvallisuudessa paikassa myöhempää käyttöä varten.

Kehitämme tuotteitamme jatkuvasti ja pidätämme oikeuden muuttaa tuotetietoja ilman ennakkoilmoitusta.

## Disposizioni di sicurezza

- 1. LEGGERE ATTENTAMENTE E COMPLETAMENTE LE ISTRUZIONI DI MONTAGGIO PRIMA DI INIZIARE I LAVORI!**
- I bordi taglienti possono causare lesioni. Durante il maneggio di profili in alluminio, vetro e pannelli a camera vuota si consiglia di indossare sempre occhiali protettivi, guanti, calzature di sicurezza ed l'elmetto protettivo. I vetri rotti rappresentano una fonte di pericolo - allontanare prontamente le schegge di vetro, procedendo sempre con cautela.
- Il prodotto acquistato è ideato per la coltivazione di piante e deve essere utilizzato esclusivamente per questo scopo. Per qualsiasi altro utilizzo si declina ogni responsabilità.
- Per il montaggio di questo prodotto sono richieste due persone.
- Se dovessero verificarsi delle complicazioni durante le operazioni di montaggio della serra o all'inserimento della vetratura, si prega di contattare il proprio rivenditore – **Non usare in nessun caso la forza!**
- La serra deve essere sempre ancorata al suolo.

## Descrizione della struttura

### SCelta DEL LUOGO

Scegliere possibilmente un posto soleggiato, e allo stesso tempoprotetto dal vento.

### IMPORTANTE

Prima di iniziare l'operazione di montaggio della serra, accertarsi che siano presenti tutti i componenti elencati. Prelevare i componenti dall'imballaggio, per poterli identificare meglio. È particolarmente importante non mischiare tra di loro i componenti aperti. Qualora dovesse mancare qualcosa, vogliate contattare immediatamente il vostro fornitore.

**Attenzione** – il lato resistente ai raggi UV dei pannelli a camera vuota è contrassegnato da una pellicola di plastica o da una nota stampata sui bordi. **Questo lato deve volgere verso l'esterno!**

**Viti (1002) - coppia di serraggio massima 3 Nm.**

### UTENSILI RICHIESTI

Giravite (piatto e a croce PH2), chiave da 10 mm, chiave ad anello e a bocca, coltello, metro, livella a bolla, avvitatore a batteria con coppia regolabile.

### MANUTENZIONE

Pulire periodicamente la serra con soluzione detergente neutra non aggressiva. Il vetro può essere pulito con un detergente, che non intacchi i componenti di materiale sintetico, i telai d'alluminio né le graffe delle molle per i vetri. Pulire periodicamente le guide di corsa inferiori della porta.

### 0. FONDAMENTA

**Importante!** Le fondamenta devono essere ad angolo retto e livellate.

Come accessorio sono disponibili fondamenta d'acciaio zincato impiegabili per tutti i modelli di serre.

**(Attenzione!)** Solo se la serra deve essere montata in un punto poco protetto ed esposto al vento: Perforare i profili di base e le fondamenta d'acciaio e avvitarli entrambi tra di loro per mezzo delle viti e dei dadi)

Se si preferisce realizzare individualmente

delle fondamenta in pietra o calcestruzzo, attenersi alle misure indicate al capitolo 0. I listelli di legno pretrattati per resistere alle intemperie con spessore minimo di 18 mm e larghezza massima di 32mm vengono inseriti fra le fondamenta di pietra/calcestruzzo e il telaio d'alluminio, quindi perforati come illustrato nel disegno e infine avvitati nelle fondamenta per mezzo di viti lunghe 50mm (non incluse nella fornitura).

Trattare le fondamenta con antigelo.

**Tutti i disegni sono illustrati dalla parte interna della serra, salvo le illustrazioni, che sono rappresentate in una doppia cornicetta. Queste descrivono la veduta esterna.**

### 1. PARTE ANTERIORE

Piazzare tutti i componenti al suolo e avvitarli senza stringerli a fondo.

Avvitare i raccordi a gomito (1092) senza stringerli a fondo agli angoli superiori (1.5).

**Attenzione:** Le porte possono essere installate su diversi lati.

Una doppia porta può essere installata in qualsiasi campo doppio della parte anteriore della serra (vedi fase 5B), ad eccezione dei campi marginali.

Due porte singole possono essere montate in diverse combinazioni sia lateralmente che sulla parte frontale della serra (vedi fase 5A). L'installazione di due porte singoli sui due lati è indicata con la sigla „SDS“.

In questo istante bisognerà decidere come e dove montare le porte, attenendosi alla grafica.

**Attenzione:** I campi situati sui due lati dell'apertura della porta richiedono un profilo orizzontale (1.6 – 1.9).

### 2. PARETI LATERALI

Avvitare i profili della parete (4248/4249) ai profili del pavimento (5546) (2.1) e ai puntoni trasversali (4262 / 2.2) (2.3). Avvitare i profili intermedi (4232) ai profili del pavimento (1.2-fase di montaggio 1) e ai puntoni trasversali (2.5.) senza stringerli.

Montare gli elementi laterali assemblati e i puntoni diagonali (4233) (2.4) (2.6) (2.7), ed

eventualmente anche i puntoni (2096) e (2097), sulla parte anteriore.

Avvitare i frontoni profilati (4237/4238) ai raccordi a gomito (1092) (2.8) (2.9) facendoli passare tra i profili della parete e il profilo della grondaia (4227/4228/4229).

Avvitare il profilo del colmo (4250/4251/4252) tra i profili della parete dei raccordi (1092), senza stringerlo.

Montare i profili intermedi (4241/4242) e (4243/4244) tra i puntoni trasversali (4261/4262) e i frontoni profilati (4237/4238) (2.10)(2.11) senza stringerli.

### 3. TETTO

Montare i profili intermedi del tetto (4255) profilo del colmo (3.4) e sopra il profilo della grondaia (3.5).

**Attenzione:** qui bisogna introdurre due ulteriori viti nel canale dei listelli di vetratura, che servono a fissare in un secondo tempo la soglia del lucernario e gli elementi di rinforzo (3.4) (3.5).

Fissare gli elementi di rinforzo del tetto (4270) sotto i profili intermedi del tetto (4255) senza stringerli (3.6) (3.8). Inserire le altre viti nei profili intermedi del tetto (4255), introducendole negli appositi fori dell'elemento di rinforzo del (4270) (3.7). **Attenzione:** Assicurarsi che i profili intermedi del tetto (4255) siano montati a raso con il profilo del colmo. Avvitare il profilo della grondaia (4264/4265/4266) ai frontoni profilati (4237/4238) senza stringerlo (3.10) (3.11).

### 4. FISSAGGIO ALLA PARETE

Piazzare qui la serra sulle fondamenta/intelaiatura appositamente preparato/a e avvitarla quindi alle fondamenta, senza stringerla a fondo. Aggiustare la serra finché è completamente raddrizzata e stringere infine tutte le viti.

**Evitare di spanare le viti, stringendole eccessivamente! (max. 3Nm)**

Accertarsi che tutti i lati siano assolutamente rettangolari. Osservare i fori nei profili della parete (4248 / 4249) e nel profilo del colmo (4251 / 4253) e marcarli quindi sulla parete.

Sollevarlo a questo punto il telaio dalla cornice.

Praticare dei fori da 6 mm nei punti marcati sulla parete e applicare quindi alla parete i tasselli forniti in dotazione. (Il trapano e i tasselli da parete non sono inclusi nel volume di consegna).

Riappoggiare il telaio sulle fondamenta e avvitare alla parete con le viti (non incluso nel volume di consegna) (3.1) & (3.2).

Avvitare infine il telaio alle fondamenta.

## 5A. PORTE SINGOLE

**Attenzione: Non collocare mai la porta montata sugli elementi scorrevoli (1014), altrimenti si rischierebbe di danneggiarli!**

Premere dentro gli elementi scorrevoli (1014) in ambedue le estremità nel profilo della porta (1360) (5.1).

Avvitare gli elementi della porta come illustrato nella figura 5.

Avvitare il profilo della porta (1362) al profilo superiore (1359) (5A.3) e inserire le guarnizioni (3021) nei puntoni verticali esterni della porta (4059)(5.5). Inserire le viti (1500) nel canale inferiore che supporta le guarnizioni delle spazzole (3021) e avvitarle con i dadi (1515) (5.6). Tagliare le guarnizioni della porta (3021) alla lunghezza voluta.

Avvitare le rotelle (1015) alla parte superiore della porta (1362), come illustrato nella figura (5.4), utilizzando le viti (1304), le rondelle (1009) e i dadi (1007).

Avvitare l'elemento di guida della porta (1347) al puntone trasversale (4261/4262) (5A.7) oppure - qualora sia necessario montare una porta singola sul lato anteriore della casa - con il profilo della grondaia (4227/4228/4229) (5B.7).

Ora le rotelle del profilo dell'elemento di guida della porta possono essere introdotte lateralmente (1347) (5A.8)/(5B.8). Assicurarsi che gli elementi scorrevoli della porta scorrono sul traversino verticale del profilo del suolo (5.9). Dopo aver inserito la porta, inserire le viti e i dadi come fermaporta in ambedue le estremità della guida della porta (1347/4.9).

Regolare la porta, in modo che possa scorrere senza attrito.

## 5BL e 5BR. DOPPIA PORTA

**Attenzione: Non collocare mai la porta montata sugli elementi scorrevoli (1014), altrimenti si rischierebbe di danneggiarli!**

Premere dentro gli elementi scorrevoli (1014) in ambedue le estremità nel profilo della porta (1360) (5.1).

Avvitare gli elementi della porta come illustrato nel disegno 5.

Avvitare il profilo della porta (1362) al profilo superiore (1359) (5B.3) e inserire le guarnizioni (3021) nei puntoni verticali esterni della porta (4059)(5.5). Inserire le viti (1500) nel canale inferiore che supporta le guarnizioni delle spazzole (3021) e avvitarle con i dadi (1515) (5.6). Tagliare le guarnizioni della porta (3021) alla lunghezza voluta. Assicurarsi che la parte (4098) per il profilo laterale interno sia montata sul lato sinistro (5BL), la parte (4099), invece, su quello destro (5BR).

Avvitare le rotelle (1015) alla parte superiore

della porta (1362), come illustrato nella figura (5.4), utilizzando le viti (1304), le rondelle (1009) e i dadi (1007).

Avvitare l'elemento di guida della porta (1347) al profilo della grondaia (4227/4228/4229) (5B.7)

Fissare la vite (2001) all'elemento di giunzione tra le due (1347), come raffigurato.

Ora le rotelle del profilo dell'elemento di guida della porta possono essere introdotte lateralmente (1347) (5B.8). Assicurarsi che gli elementi scorrevoli della porta scorrono sul traversino verticale del profilo del suolo (5.9). Dopo aver inserito la porta, inserire le viti e i dadi come fermaporta in ambedue le estremità della guida della porta (1347).

Regolare la porta, in modo che possa scorrere senza attrito.

## 6. FINESTRINO SUL TETTO

Avvitare i telai laterali (1065) con la parte superiore del lucernario (1064). In una vetratura più sottile di 4 mm, come mostrato nella figura (6.1).

Introdurre le viti nei fori dei telai laterali (1066). Introdurre il vetro nei telai laterali (1065) (6.3). Avvitare a questo punto il profilo inferiore della finestra (1066) con il telaio laterale. Attenzione: La finestra deve essere ad angolo retto.

Avvitare l'intelaiatura del lucernario (1067) con il profilo inferiore della finestra (1066). Qui sono da utilizzare le viti (1006) (6.8).

Fare passare la presente cappa di gomma (1019) attraverso l'estremità inferiore dell'intelaiatura del lucernario (6.6). Avvitare strettamente i due perni a scatto (2016) sulla soglia del lucernario (1063) per mezzo delle viti (1006) (6.8)

Inserire il lucernario nel colmo (inserendolo dall'estremità del colmo stesso) e portarlo nella posizione prevista (6.4/6.5/6.6).

Avvitare a fondo la soglia del lucernario (1063) ai profili intermedi del tetto (4255) e agli elementi di rinforzo (4270) utilizzando le viti a vuoto (1001) e procedendo conformemente ai punti (6.6) (6.7)

## 7A. & 7B. VETRATURA - PANNELLI A CAMERA VUOTA

**Osservare le misure di sicurezza summenzionate!**

Spingere la guarnizione del vetro (1020) sui profili d'alluminio (6.3) e tagliarla alla rispettiva misura di lunghezza.

**IMPORTANTE!** Il lato resistente ai raggi UV dei pannelli a camera vuota è contrassegnato da una pellicola di plastica o da una nota stampata sui bordi. Questo lato deve volgere verso l'esterno!

Attenzione! Staccare la pellicola completamente dopo aver inserito la lastra nella serra. (Le lastre sono più corte, affinché si dilatino nelle giornate calde).

Per conferire maggiore stabilità ai pannelli a camera vuota si consiglia di avvitarli (7A.3) (7B.3) al profilo di alluminio inferiore applicando una vite e una rondella sulla parte

centrale inferiore di ciascun pannello. A tal scopo bisogna praticare un foro da 2 mm nella lastra e nel profilo di alluminio. (Il trapano non è incluso nel volume di consegna).

(\*): Le viti e le rondelle sono accluse ai pannelli a camera vuota.

## 7A. VETRATURA IN VETRO BLANK

Fissare i pannelli a camera vuota del tetto con l'ausilio del dispositivo antivento (6600) (7A.2). Attenzione affinché, le lastre di copertura siano situate centralmente e che scorrano parallelamente ai profili.

Invetriare dapprima la fiancata cominciando dal basso e utilizzare a tal fine le graffe delle molle elastiche di vetratura (1011) (6.2). Utilizzare il numero specificato per lastra.

Collocare la lastra seguente sotto la lastra sottostante con le graffe d'arresto (1012) inserite fra le lastre (6.1).

## 7B. VETRATURA - PANNELLI A CAMERA VUOTA

Fissare i pannelli a camera vuota con le graffe delle molle elastiche di vetratura (1011) (7B.2) e utilizzare il numero specificato per lastra.

## 8. TUBO DI SCARICO DELLA PIOGGIA

Applicare gli elementi dei tubi di scarico della pioggia su entrambe i lati della casa, come illustrato al capitolo (8.1)-(8.6). Assicurarsi che l'elemento di collegamento (1417) venga inserito tra (1408) e (1402) (8.2).

## LE ULTIME OPERAZIONI

È anche possibile sigillare i giunti della serra con sigillante siliconico a reticolazione neutra. Il silicone non viene fornito in dotazione.

Applicare dall'interno il presente adesivo di avvertimento.

Il vostro fornitore dispone di un assortimento completo di accessori per serre. Contattatelo.

## INFORMAZIONI DI SICUREZZA

In presenza di vento forte si raccomanda di mantenere chiuse tutte le aperture e la porta.

Eliminare tempestivamente la neve dai tetti delle serre in modo da evitare qualsiasi carico di neve pericoloso.

## OSSERVAZIONI

Per garantire la protezione completa della serra vi consigliamo di includerla nella vostra polizza assicurativa domestica. Osservare eventuali prescrizioni edilizie locali vigenti.

Incollare l'adesivo di identificazione fornito in dotazione sul corpo della ruota (1362) dopo il completamento del montaggio della serra.

La denominazione del tipo è richiesta per specificare eventuali pezzi di ricambio da ordinare. Conservare sempre le istruzioni per il montaggio!

Tutte le misure specificate sono valori approssimativi. Con riserva di modifiche.

## 1. PRZED ROZPOCZĘCIEM MONTAŻU PROSZĘ PRZECZYTAĆ DO KOŃCA TĘ INSTRUKCJĘ!

- Przy obchodzeniu się ze szkłem, płytami z poliwęglanu lub częściami szklarni należy nosić zawsze okulary ochronne, rękawice ochronne, buty ochronne i ochronę na głowę, ponieważ ostre krawędzie mogą spowodować obrażenia. Potłuczone szło stanowi element ryzyka. Proszę usunąć je z zalecaną ostrożnością.
- Produkt, który został nabyty przez Państwa, został skonstruowany do hodowli roślin i może być używany wyłącznie do tego celu. W przypadku innego zastosowania wyklucza się wszelką odpowiedzialność.
- Zaleca się montowanie produktu we 2 osoby.
- Jeżeli będą mieli Państwo problemy podczas montażu szklarni lub w trakcie zakładania oszklenia, to proszę skontaktować się z Państwa sprzedawcą – **proszę nie używać siły!**
- Szklarnię należy zakotwiczyć.

## Instrukcja Montażu

### WYBÓR MIEJSCA

Proszę wybrać słoneczne miejsce, ale jednocześnie chronione przed wiatrem.

### WAŻNE

Zanim rozpoczną Państwo montaż szklarni, należy sprawdzić, czy występują wszystkie części wymienione na liście. Proszę wyjąć poszczególne paczki z opakowania, aby było możliwa ich lepsza identyfikacja.

Należy zwrócić uwagę, aby otwarte paczki nie wymieszały się między sobą.

Jeżeli brakuje czegoś, to proszę skontaktować się z dostawcą.

**Ważne!** Strona odporna na promieniowanie UV jest wskazana przez plastikową folię i nadruk na krawędzi. Ta strona musi być umieszczona na zewnątrz. Zdejmij folię.

**Nakrętki (1002) należy dokręcić przy użyciu maks. 3 Nm.**

### POTRZEBNE NARZĘDZIA

Śrubokręt (normalny i krzyżak PH2), klucz gniazdkowy 10 mm albo płaski, 10mm klucz kombinowany, nóż, całówka, poziomica, wiertarka akumulatorowa z regulowanym momentem obrotowym.

### KONSERWACJA

Szklarnia powinna być od czasu do czasu gruntownie czyszczona za pomocą łagodnego detergentu. Należy sprawdzić, czy użyty detergent nie reaguje agresywnie z aluminium lub klamrami mocującymi szkło. Należy regularnie czyścić górną i dolną szynę jezdnią drzwi, aby uniknąć gromadzenia się zanieczyszczeń.

### 0. BAZA FUNDAMENTOWA

**Ważne!** Baza fundamentowa musi być absolutnie prostokątna i wypoziomowana. Ocynkowana baza stalowa jest dostępna jako akcesorium dla wszystkich modeli szklarni.

**(Uwaga!)** Wyłącznie w przypadku, gdy szklarnia musi być ustawiona w bardzo nieosłoniętym i wietrznym miejscu: przewiercić profil podstawy i stalowy fundament i skręcić je

razem śrubami i nakrętkami).

Jeżeli jednak chcą Państwo wykonać fundament z kamienia lub betonu, to proszę przygotować go zgodnie z danymi wymiarami podanymi w Rozdziale 0. Listwy drewniane poddane wstępnej obróbce, odporne na działanie czynników atmosferycznych o grubości przynajmniej 18 mm i o szerokości największej niż 32 mm, włożyć pomiędzy fundament kamienny / betonowy i ramę aluminiową, i połączyć śrubami o długości 50 mm (brak w zestawie).

Fundament musi sięgać poniżej poziomu zamarzania.

**Wszystkie rysunki przedstawione są od strony wewnętrznej szklarni, z wyjątkiem rysunków, które przedstawione są w podwójnej ramce. Pokazują one widok z zewnątrz.**

### 1. PRZÓD

Wszystkie części należy ułożyć na podłodze i skręcić luźno śrubami.

Zamontuj luźno śrubami narożne płytki (1092) w górnych narożnikach.

**Uwaga:** Istnieje możliwość zamontowania drzwi w kilku pozycjach. Podwójne drzwi frontowe można zamontować w dowolnych dwóch modułach za wyjątkiem narożników. (Zobacz rozdział 5B)

Pojedyncze drzwi mogą być zamontowane w różnych kombinacjach, na boku lub froncie szklarni. (zobacz rozdział 5A). Pojedyncze drzwi po obu stronach są oznaczone jako „SDS”. Proszę zdecydować jak i gdzie drzwi zostaną zamontowane i podać właściwym diagramem.

**Uwaga:** Moduły po obu stronach otworu drzwiowego wymagają poziomej listwy usztywniającej (2096/2097) na środku (1.6-1.9).

### 2. MONTAŻ BOKÓW

Zamontuj listwy przyściennie (4248 / 4249) z dolnymi listwami mocującymi (5546) (2.1) oraz poziome listwy boczne (4261 / 4262) (2.2) (2.3). Przykręć luźno pio-

nowe listwy boczne (4232) pomiędzy listwą mocującą a poziomą listwą (1.2) (2.5).

Dokręć luźno oba zmontowane boki z uprzednio zmontowanym frontem i jednocześnie przykręć skośne listwy wzmacniające (4233) (2.4) (2.6) (2.7) i w razie potrzeby poziome listwy usztywniające (2096) i (2097).

Luźno zamontuj listwy wykończeniowe szczytu dachu (4237/4238) pomiędzy pionowymi listwami przyściennymi (4248/4249) a listwą okapu (4227/4228/4229) za pomocą narożnej płytki (1092) (2.8) (2.12).

Luźno skręć kalenicę (4251/4252/4253) pomiędzy listwami wykończeniowymi szczytu dachu za pomocą płytki narożnej (1092) (2.8) (2.9).

Zamontuj luźno listwy ścian bocznych (4241/4242) i (4243/4244) między poziomymi listwami (4261/4262) i listwami wykończeniowymi szczytu dachu (4237/4238) (2.10) (2.11).

### 3. MONTAŻ DACHU

Umieść listwy dachowe (4255) na kalenicy (3.4) i na listwie okapu (3.5).

**Uwaga:** W tym momencie konieczne jest umieszczenie dwóch dodatkowych śrub w otworach listw dachowych (4255) w celu późniejszego przymocowania okien dachowych i listw usztywniających (3.4) (3.5).

Luźno zamontuj podpory dachowe (4270) pod listwami dachowymi (4255) patrz (3.6) i (3.8).

Włóż do wstępnie wywierconych otworów dodatkowe śruby w (4255) (3.7). **Uwaga:** upewnij się, że listwy dachowe (4255) opierają się o krawędź kalenicy.

Luźno połącz rynny (4264/4265/4266) z listwami dachowymi (4255) (3.9) oraz listwami zakończeniowymi szczytu dachu (4237/4238) (3.10) (3.11).

### 4. MONTAŻ NA ŚCIANIE

Teraz należy umieścić szklarnie na przygotowanej podstawie/fundamencie i luźno połączyć z podłożem.

Ustaw szklarnie tak, aby była całkowicie

prostokątna i dokręć wszystkie śruby.

**Śruby muszą być dokręcone mocno, ale nie za mocno (maks. 3 Nm).**

Upewnij się, że boki są idealnie pionowe. Zwróć uwagę na wstępnie wywiercone otwory w pionowych listwach przyściennych (4248 / 4249), w kalenicy (4251/4252/4253) i zaznacz je na ścianie. Przesuń konstrukcję z bazy fundamentowej. W zaznaczonych miejscach na ścianie, wywierć otwory i umieść w nich kołki. (Wiertła i kołków nie ma w zestawie). Ponownie ustaw konstrukcję na bazie fundamentowej i przykręć do ściany za pomocą śrub (nie ma w zestawie) (4.1) (4.2).

## 5A. DRZWI POJEDYNCZE

**Uwaga: zamontowanych drzwi nie wolno nigdy ustawiać na prowadnicach (1014).**

Prowadnice drzwi (1014) wcisnąć w końce dolnej listwy drzwi (1360) (5.1).

Zmontuj drzwi zgodnie z diagramem 5A.

Przykręć szynę jezdnią (1362) do górnej szyny drzwi (1359) (5A.3). Wsuń uszczelki (3021) na obu końcach zewnętrznej pionowej listwy drzwi (4059) (5.5). Zamontuj śruby (1500) w dolnej części otworu śrubowego podtrzymującego uszczelki szczotkowe (3021) i przymocuj za pomocą nakrętki (1515) (5.6). Przytnij uszczelki drzwi (3021) do odpowiedniej długości.

Obydwa rolki drzwi (1015) zmontować z szyną jezdnią (1362) za pomocą śruby (1304), podkładki (1009) i nakrętki (1007).

Przykręć szynę prowadnicy (1347) do poziomej listwy bocznej (4261/4262) (5A.7) lub w przypadku, gdy pojedyncze drzwi mają być zamieszczone na froncie szklarni do listwy okapu (4227 / 4228 / 4229) (5B.7).

Rolki drzwi należy wsunąć w szynę prowadnicy (1347) (5A.8) (5B.8). Należy upewnić się, że dolne prowadnice drzwi zostały wprowadzone zgodnie z rysunkiem (5.9).

Po poprawnym włożeniu drzwi, należy zamontować śruby i nakrętki jako blokadę drzwi (5A.8) / (5B.8) po obu końcach szyny (1347).

Drzwi należy tak ustawić, aby poruszały się bez przeszkód.

## 5BL & 5BR. DRZWI PODWÓJNE

**Uwaga: zamontowanych drzwi nie wolno nigdy ustawiać na prowadnicach (1014).**

Prowadnice drzwi (1014) wcisnąć w końce dolnej listwy drzwi (1360) (5.1).

Zmontuj drzwi zgodnie z diagramem 5B.

Przykręć szynę jezdnią (1362) do górnej szyny drzwi (1359) (5B.3). Wsuń uszczelkę (3021) do zewnętrznej pionowej listwy drzwi (4059) (5.5). Zamontuj śrubę z nakrętką (1500) w dolnej części otworu śrubowego podtrzymującego uszczelki szczotkowe (3021) i przymocuj za pomocą nakrętki (1515) (5.6). Przytnij uszczelki drzwi (3021) do odpowiedniej długości. Wewnętrzna listwa pionowa (4098) powinna być po lewej stronie (5BL) a po prawej listwa (4099) (5BR).

Za pomocą śruby (1304), podkładki (1009) i nakrętki (1007) przymocować rolki (1015) (1362) do szyny jezdnej (5.4).

Przymocuj szynę prowadnicy (1347) do listwy okapu (4227 / 4228 / 4229) (5B.7). Zamontuj śrubę (2001) na złączu między obiema (1347) jak pokazano na rysunku w kółku.

Rolki należy wsunąć w szynę drzwi (1347) (5B.8). Należy upewnić się, że dolne prowadnice drzwi zostały wprowadzone zgodnie z rysunkiem (5.9).

Po poprawnym włożeniu drzwi, należy zamontować śruby i nakrętki jako blokadę drzwi na końcu szyny drzwi (1347).

Drzwi należy tak ustawić, aby poruszały się bez przeszkód.

## 6. OKNO DACHOWE

Ramy boczne (1065) skrócić z górną częścią okna dachowego (1064) w zależności od grubości szkła. W przypadku oszklenia cieńszego niż 4 mm jak na (6.1), w przypadku oszklenia 4 mm lub grubszego jak na (6.2).

Umieścić śruby w przygotowanych otworach, aby połączyć dolną ramę (1066), i wsunąć szkło w ramy boczne (1065) (6.3).

Przykręcić dolną ramę okna (1066) z ramą boczną. Przed dokręceniem wszystkich śrub, proszę upewnić się, że okno posiada kąty proste.

Przykręć uchwyt do otwierania okna (1067) do dolnej ramy okna (1066) za pomocą śrub (1006) (6.8).

Plastikową nasadkę (1019) nałożyć na końcową część uchwyty otwierania okna (6.6) i przykręć obydwie czopy blokujące (2016) do progu okna (1063) śrubami (1006) (6.8)

Proszę wsunąć okno dachowe w kalenicę (6.4) (6.5) i ustawić w odpowiedniej pozycji (6.6).

Przykręć próg okna dachowego (1063) dodatkowymi śrubami (1001) z listwą dachową (4255) pomiędzy listwą dachową (4255) a podporą dachową (4270) (6.6)(6.7).

## 7A. & 7B. OSZKLENIE Z POLIWĘGLANU

Proszę przestrzegać przedstawionych wyżej środków bezpieczeństwa.

Uszczelkę (1020) wcisnąć w listwy aluminiowe (7A.4) (7B.1) i przyciąć na odpowiedniej długości.

**Ważne!** Strona odporna na promieniowanie UV jest oznaczona plastikową folią oraz nadrukiem na brzegu. Ta strona musi być skierowana na zewnątrz. Zdejmij folię.

**Uwaga!** Proszę zdjąć folię całkowicie, tylko po wstawieniu oszklenia w ramy. (Płyty są przycięte na troszkę mniejszy wymiar, aby umożliwić pracę materiału pod wpływem ciepła)

Aby zapewnić poliwęglanowym płytom większą stabilność zaleca się połączyć je z dolną listwą aluminiową. W tym celu proszę wywiercić 2mm otwór blisko krawędzi płyty w środkowej jego części oraz w listwie i skrócić

za pomocą śruby i podkładki (7B.3). Wiertła nie ma w zestawie.

(\*): Śruby i podkładki są załączone razem z płytami poliwęglanowymi.

## 7A. OSZKLENIE – SZKŁO PRZEZROCZYSTE

Na dachu zamocuj płyty poliwęglanowe za pomocą plastikowych listw (6600) (7A.2). Zwróć uwagę na wymaganą ilość przy każdej płycie.

Oszklenie na bokach rozpocząć od dołu stosując klamry sprężynowe (1011) (7A.5). Następną taflę położyć na taflę już zamontowaną (metoda na „rybią łuskę“) używając klamer mocujących pomiędzy taflami (1012) (7A.6).

## 7B. OSZKLENIE Z POLIWĘGLANU

Zamontuj poliwęglanowe płyty za pomocą klamr sprężynowych (1011) (7B.2). Zwróć uwagę na ich ilość potrzebną do każdej z płyt.

## 8. RURY ODPLYWOWE

Zamontuj rury odpływowe po obu stronach szklarni tak jak na rys. (8.1) do (8.6). Element przejściowy (1417) zamontować po między (1408) i (1402) (8.2).

## OSTATNIE CZYNNOŚCI

Jeśli zaistnieje potrzeba lepszego uszczelnienia szklarni można zastosować neutralny silikon (brak w zestawie) na krawędziach.

Naklejkę ostrzegawczą należy nakleić od wewnątrz.

Szeroka gama akcesoriów, które pasują do tej szklarni jest dostępna u sprzedawcy. Prosimy o kontakt.

## WSKAZÓWKI BEZPIECZEŃSTWA

W przypadku mocnego wiatru, wszystkie okna i drzwi powinny być zamknięte. W przypadku opadów śniegu dach należy regularnie odśnieżać lub podjąć odpowiednie kroki w celu zabezpieczenia dachu. Należy ogrzewać budynki zimą.

## UWAGI

W celu uzyskania pełnego zabezpieczenia szklarni zalecamy, aby włączyć jej ubezpieczenie do ubezpieczenia domu.

Proszę przestrzegać ewentualnie istniejących miejscowych przepisów budowlanych dotyczących szklarni ogrodowych. Po zamontowaniu szklarni prosimy o naklejenie etykiety identyfikacyjnej na szynę jezdnią (1362). Informacje na niej zawarte będą potrzebne przy ewentualnym zamówieniu części zamiennych.

Proszę zachować tę instrukcję montażu, aby móc z niej skorzystać w przyszłości!

Nasza polityka opiera się na nieprzerwanym doskonaleniu w związku z czym zastrzegamy sobie prawo do wprowadzania zmian w opisie bez uprzedniego powiadomienia.

- PROSIMO, DA TA NAVODILA ZA MONTAŽO PRED ZAČETKOM POSTAVITVE SKRBN IN V CELOTI PREBERETE!**
- Na ostrih robovih se lahko poškodujete. Pri rokovanju z aluminijastimi profili, steklom in votlimi ploščami morate vedno nositi zaščitna očala, rokavice, čevlje in zaščito za glavo. Zlomljeno steklo je vir nevarnosti, zato črepinje takoj previdno odstranite.
- Izdelek, ki ste ga kupili, je zasnovan izključno za gojenje rastlin in ga smete uporabljati izključno za ta namen. V primeru drugačne uporabe je vsakršna odgovornost izključena.
- Za montažo tega izdelka sta potrebni dve osebi.
- Če imate pri montaži rastlinjaka ali vstavljanju zasteklitve težave, stopite v stik s svojim prodajalcem – **Ne ravnajte na silo!**
- Rastlinjak mora biti vedno sidran.

## Opis postavitve

### IZBIRA LEGE

Poiščite najbolj sončno lego, ki pa je hkrati zaščiten pred vetrom.

### POMEMBNO

Preden začnete z montažo vašega rastlinjaka, preverite, ali so na voljo vsi deli, ki so navedeni na seznamu. Da boste to lažje ugotovili, vzemite posamezne pakete iz embalaže. Pomembno je, da odprtih paketov ne pomešate. Če kaj manjka, stopite v stik z dobaviteljem.

**Pozor** – Stran votlih plošč, ki je odporna na UV-žarke, je označena s plastično folijo ali natisnjem opozorilom na robovih. **Ta stran mora biti usmerjena navzven!**

**Matice (1002) privijte z največ 3Nm.**

### POTREBNO ORODJE

Izvičaj (za zarezo in križni PH2), vijaki ključ 10 mm, obročni viličasti ključ, nož, zložljivi meter, vodna tehtnica, akumulatorski vijaknik z nastavljenim vrtilnim momentom.

### VZDRŽEVANJE

Rastlinjak občasno temeljito operite z blagim čistilom. Steklo lahko očistite s čistilnim sredstvom, ki ni agresivno do aluminijastega okvirja in vzmetnih sponk za steklo. Redno očistite zgornje in spodnje vodilo vrat.

### 0. TEMELJ

**Pomembno!** Temelj mora biti absolutno pravokoten in raven.

Pocinkan jeklen temelj je kot oprema na voljo za vse modele rastlinjakov.

**(Pozor!** Samo če je rastlinjak potrebno postaviti na zelo nezaščitenem in vetrovnem mestu: prevrtajte osnovne profile in jekleni temelj ter ju privijte skupaj z vijaki in maticami.)

Če pa želite temelj izdelati sami iz kamna ali betona, se ravnajte po navedenih merah v

poglavju 0. Obdelane, proti vremenskim vplivom zaščitene lesene letve debeline najmanj 18mm in širine največ 32mm se vstavijo med kamniti oz. betonski temelj in aluminijasti okvir, v skladu z risbo prevrtajo in privijejo v temelj z vijaki dolžine 50mm (niso priloženi).

Temelj mora biti postavljen zaščiten pred zmrzaljo.

**Vse risbe so prikazane z notranje strani rastlinjaka, razen slik, ki so prikazane v dvojnem okvirju. Te opisujejo pogled na zunanjo stran.**

### 1. SPREDNJA STRAN

Vse dele položite na tla in rahlo privijte.

Vezne pločevine (1092) rahlo privijte z zgornjimi vogali (1.5).

**Pozor:** Vrata lahko montirate na različnih straneh..

Dvojna vrata lahko vgradite v vsako dvojno polje sprednje strani (glejte korak 5B) z izjemo robnih polj.

Dvojna posamična vrata v različnih kombinacijah montirate ob strani ali na sprednji strani rastlinjaka (glejte korak 5A). Montaža dvojnih posamičnih vrat na obeh straneh je navedena z »SDS«.

V tem trenutku se odločite, kako in kje želite vgraditi vrata in se ravnajte po ustrezni grafiki.

**Pozor:** Polja na obeh straneh odprtine za vrata potrebujejo horizontalni profil (1.6 – 1.9).

### 2. STRANICE

Privijte stenske profile (4248/4249) na talne profile (5546) (2.1) in prečne palice (4261/4262) (2.2)(2.3). Vmesne profile (4232) na rahlo privijte na talne profile (1.2-korak postavitve 1) in prečnimi palicami (2.5).

Montirane stranske elemente skupaj z diagonalnimi palicami (4233) (2.4) (2.6) (2.7) na rahlo montirajte na sprednji strani in, če je potrebno, montirajte palici (2096) in (2097).

Vogalne profile zatrepa (4237/4238) med

stenskimi profili in kapnim profilom (4227/4228/4229) na rahlo privijte z veznimi pločevinami (1092) (2.8) (2.9).

Slemenski profil (4250/4251/4252) med stenskimi profili na rahlo privijte na vezne pločevine (1092).

Vmesne profile (4241/4242) in (4243/4244) na rahlo montirajte med prečnimi palicami (4261/4262) in vogalnimi profili zatrepa (4237/4238) (2.10)(2.11).

### 3. STREHA

Montirajte vmesne strešne profile (4255) na slemenski profil (3.4) in nad kapnim profilom (3.5).

**Pozor:** Na tem mestu je treba v kanal za vijake letev zasteklitve vstaviti dva dodatna vijaka, s katerima bosta pozneje pritrjena prag strešnega okna in ojačitev (3.4) (3.5).

Ojačitve strehe (4270) na rahlo pritrdite pod vmesnimi strešnimi profili (4255) (3.6) (3.8). Dodatne vijake v vmesnih strešnih profilih (4255) vstavite v predhodno izvrtane luknje ojačitev strehe (4270) (3.7). **Pozor:** Zagotovite, da so vmesni strešni profili (4255) poravnano montirani na slemenskem profilu. Kapni profil (4264/4265/4266) na rahlo privijte na vogalne profile zatrepa (4237/4238) (3.10) (3.11).

### 4. PRITRDITEV NA STENO

Rastlinjak zdaj postavite na pripravljen temelj/ okvir in ga na rahlo privijte na temelj.

Rastlinjak natančno naravnajte, dokler ni popolnoma raven, in trdno privijte vse vijake.

**Vijakov ne zategnite prekomerno! (največ 3Nm)**

Zagotovite, da so vse stranice absolutno pod pravim kotom. Upoštevajte izvrtine v stenskih profilih (4248/4249) in slemenskem profilu (4251/4252/4253) in jih označite na steni.

Snemite ogrodje z okvirja.

Izvrtajte luknje na označenih mestih v steno in v steno vstavite zidne vložke. (Svedri in

stenski vložki niso vsebovani v dobavi.)

Ogrodje zdaj spet postavite na temelj in ga na privijte z vijaki (niso vsebovani v dobavi) na steno (3.1) in (3.2).

Na koncu ogrodje privijte na temelj.

## 5A. POSAMIČNA VRATA

**Pozor: Montiranih vrat nikoli ne postavite na drsnike vrat (1014), da jih ne poškodujete!**

Drsnike vrat (1014) na zaključkih vtisnite v profil vrat (1360) (5.1).

Elemente vrat privijte, kot je prikazano na sliki 5.

Profil vrat (1362) privijte na zgornji profil vrat (1359) (5A.3) in tesnila vrat (3021) vstavite v navpične zunanje opore vrat (4059) (5.5). Vstavite vijake (1500) v spodnji kanal za vijake, ki drži krtačna tesnila (3021), in jih na tem mestu privijte z maticami (1515) (5.6). Tesnila vrat (3021) odrežite na ustrezno dolžino.

Kolesca vrat (1015), kot je prikazano na (5.4), privijte s pomočjo vijakov (1304), podložk (1009) in matic (1007) na zgornji del vrat (1362).

Vodilo vrat (1347) privijte na prečno palico (4261/4262) (5A.7) ali, če naj se na sprednji strani rastlinjaka vgradijo posamična vrata, na kapni profil (4227/4228/4229) (5B.7).

Kolesca vrat lahko zdaj od strani potisnete v profil vodila za vrata (1347) (5A.8)/(5B.8). Pazite, da drsniki vrat tečejo na navpičnem delu talnega profila (5.9). Ko ste vrata pravilno vstavili, vstavite vijake in matice kot omejevalnik za vrata na obeh koncih letve vrat (1347) (5A.8)/(5B.8).

Vrata nastavite tako, da tečejo brez trenja.

## 5BL IN 5BR. DVOJNA VRATA

**Pozor: Montiranih vrat nikoli ne postavite na drsnike vrat (1014), da jih ne poškodujete!**

Drsnike vrat (1014) na zaključkih vtisnite v profil vrat (1360) (5.1).

Elemente vrat privijte, kot je prikazano na risbi 5.

Profil vrat (1362) privijte na zgornji profil vrat (1359) (5B.3) in tesnila vrat (3021) vstavite v navpične zunanje opore vrat (4059) (5.5). Vstavite vijake (1500) v spodnji kanal za vijake, ki drži krtačna tesnila (3021), in jih na tem mestu privijte z maticami (1515) (5.6). Tesnila vrat (3021) odrežite na ustrezno dolžino. Pazite, da se za notranji stranski profil montira del (4098) na levi strani (5BL) in del (4099) na desni strani (5BR).

Kolesca vrat (1015), kot je prikazano na (5.4), privijte s pomočjo vijakov (1304), podložk (1009) in matic (1007) na zgornji del vrat (1362).

Vodilo vrat (1347) privijte na kapni profil (4227/4228/4229) (5B.7)

Vijak (2001) pritrdite na spoj med obema (1347), kot je prikazano.

Kolesca vrat lahko zdaj od strani potisnete v profil vodila vrat (1347) (5B.8). Pazite, da drsniki vrat tečejo na navpičnem delu talnega profila (5.9). Ko ste vrata pravilno vstavili, vstavite vijake in matice kot omejevalnik za vrata na obeh koncih letve vrat (1347).

Vrata nastavite tako, da tečejo brez trenja.

## 6. STREŠNO OKNO

Stranska okvirja (1065) privijte na zgornji del strešnega okna (1064). Pri zasteklitvi, tanjši od 4 mm, ravnajte, kot je prikazano v (6.1), drugače pa kot v (6.2).

Vijake vstavite v izvrtine stranskega okvirja (1066). Steklo potisnite v stranske okvirje (1065) (6.3). Zdaj privijte spodnji okenski profil (1066) na stranska okvirja. Pozor: Okno mora biti pravokotno.

Privijte oporo za odpiranje strešnega okna (1067) na spodnji okenski profil (1066). Pri tem uporabite vijake (1006) (6.8).

Natakните razpoložljivo gumijasto kapo (1019) na spodnji konec opore za odpiranje strešnega okna (6.6). Privijte zaskočna zatiča (2016) na pragu strešnega okna (1063) z vijaki (1006) (6.8).

Strešno okno vstavite v sleme iz smeri zaključka slemen in okno postavite v predviden položaj (6.4/6.5/6.6).

Prag strešnega okna (1063) skladno s (6.6) (6.7) privijte z razpoložljivimi praznimi vijaki (1001) med vmesne strešne profile (4255) in ojačitve (4270).

## 7A. IN 7B. VZASTEKLITEV Z VOTLIMI PLOŠČAMI

**Prosimo, upoštevajte zgoraj navedene preventivne varnostne ukrepe!**

Pritisnite tesnilo za steklo (1020) na aluminijaste profile (7A.4) (7B.1) in jih odrežite na ustrezno dolžino.

**POMEMBNO!** Stran votlih plošč, ki je odporna na UV-žarke, je označena s plastično folijo ali natisnjenim opozorilom na robovih. Ta stran mora biti usmerjena navzven!

Pozor! Folijo v celoti odstranite šele, ko je plošča vstavljena v rastlinjak. (Plošče so za malenkost krajše, da je ob toplem vremenu omogočeno raztezanje).

Za dodatno stabilizacijo votlih plošč priporočamo, da jih spodaj v sredini vsake plošče z vijakom in podložko privijete na spodnji aluminijasti profil (7A.3) (7B.3). Za to je treba skozi ploščo in aluminijasti profil izvrtati luknjo velikosti 2 mm. Sveder ni vsebovan v dobavi.

(\*): Vijaki in podložke so priloženi votlim ploščam.

## 7A. ZASTEKLITEV S PROZORNIM STEKLOM

Pritrdite votle plošče strehe s pomočjo zaščite proti vetru (6600) (7A.2). Pazite, da ležijo strešne plošče na sredini in vzporedno s profili.

Z zasteklitvijo stranice začnite od spodaj in v ta namen uporabite vzmetne sponke za steklo (1011) (7A.5). Uporabite navedeno število kosov na posamezno ploščo.

Naslednjo ploščo je treba namestiti nad ploščo, ki se nahaja neposredno pod njo, z držalnimi sponkami za steklo (1012) med ploščama (7A.6).

## 7B. ZASTEKLITEV Z VOTLIMI PLOŠČAMI

Pritrdite votle plošče s pomočjo vzmetnih sponk za steklo (1011) (7B.2) in uporabite navedeno število kosov na posamezno ploščo.

## 8. ODVODNE CEVI ZA DEŽEVNICO

Na obeh straneh rastlinjaka namestite odvodne cevi za deževnico, kot je prikazano v (8.1)–(8.6). Pazite na to, da se povezovalni kos (1417) vstavi med (1408) in (1402) (8.2).

## ZAKLJUČNA DELA

Če želite, lahko rastlinjak na obstoječih fugah zatesnite z nevtralnimi silikonom. Silikon ni priložen.

Priloženo nalepko z opozorilom nalepite na notranji strani.

Vaš dobavitelj ima na voljo bogato izbiro opreme za vaš rastlinjak. Povprašajte pri njem.

## VARNOSTNA NAVODILA

Ob močnem vetru zaprite vse odprtine in vrata.

S streh rastlinjakov pravočasno očistite sneg, da ne pride do nevarne obremenitve s snegom.

## OPOMBE

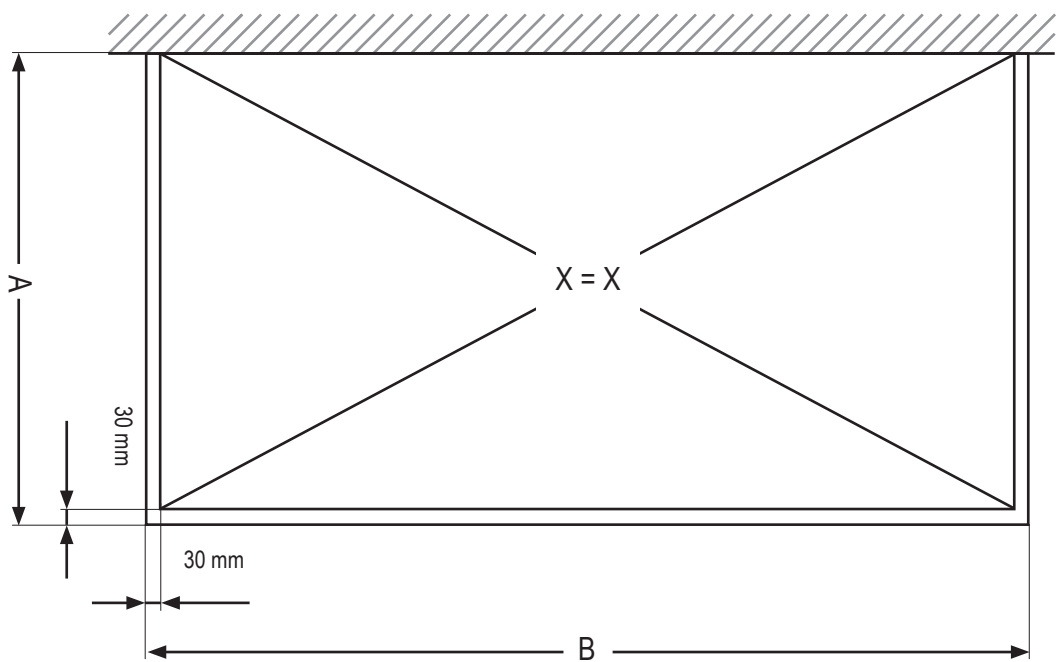
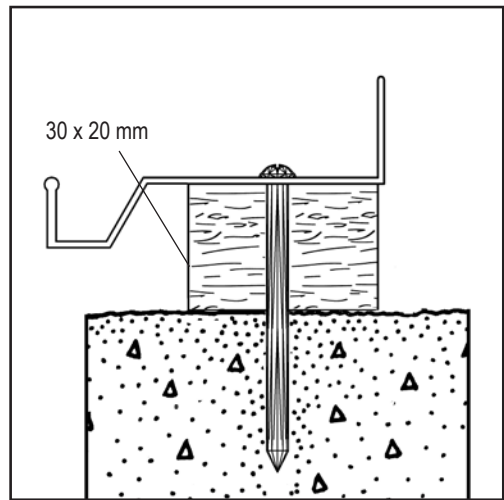
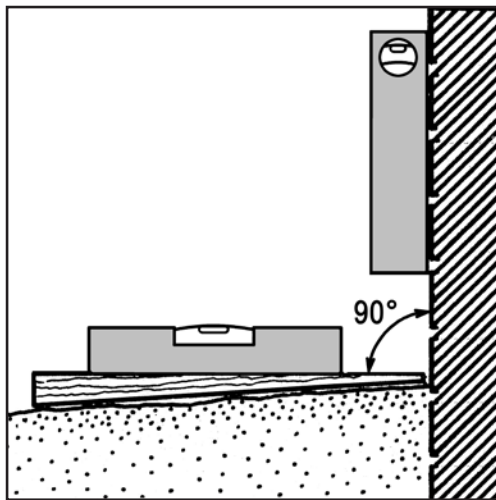
Za popolno zaščito rastlinjaka vam priporočamo, da ga vključite v **zavarovanje hiše**. Upoštevajte morebitne veljavne lokalne gradbene predpise.

Dobavljeno tipsko nalepko po opravljeni montaži rastlinjaka nalepite na ohišje koles (1362).

Oznako tipa potrebujete za navedbo pri naročilu morebitnih potrebnih nadomestnih delov. Prosimo, da navodila za montažo shranite!

Vse navedene mere so približne mere. Pridržujemo si pravico do sprememb.

# 0



|   | 5200    | 6500    | 7800    |
|---|---------|---------|---------|
| A | 1901 mm | 1901 mm | 1901 mm |
| B | 2544 mm | 3166 mm | 3788 mm |

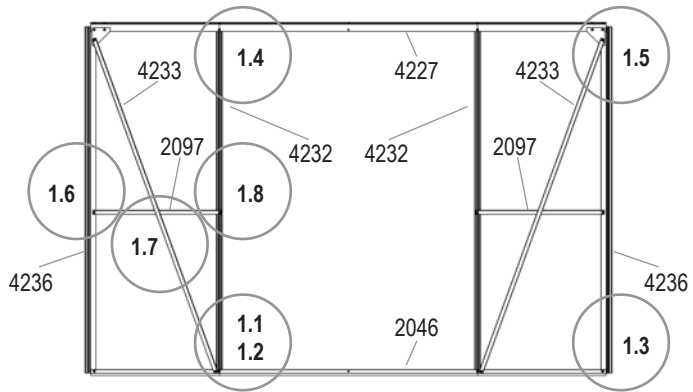
VM0028-I



# 1 (5200)

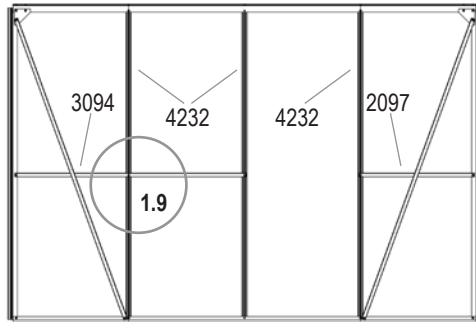


**DD**  
+ 5BL/R

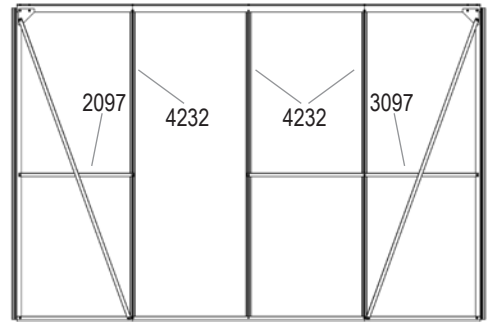


| DD   | SD1 | SD2 | SDS |
|------|-----|-----|-----|
| 1001 |     |     |     |
| 20x  | 23x | 23x | 18x |
| 1002 |     |     |     |
| 20x  | 23x | 23x | 18x |
| 1092 |     |     |     |
| 2x   | 2x  | 2x  | 2x  |
| 2046 |     |     |     |
| 1x   | 1x  | 1x  | 1x  |
| 2092 |     |     |     |
| 2x   | 2x  | 2x  | 2x  |
| 2097 |     |     |     |
| 2x   | 1x  | 1x  | -   |
| 3094 |     |     |     |
| -    | 1x  | -   | -   |
| 3097 |     |     |     |
| -    | -   | 1x  | -   |
| 4227 |     |     |     |
| 1x   | 1x  | 1x  | 1x  |
| 4232 |     |     |     |
| 2x   | 3x  | 3x  | 3x  |
| 4233 |     |     |     |
| 2x   | 2x  | 2x  | 2x  |
| 4236 |     |     |     |
| 2x   | 2x  | 2x  | 2x  |

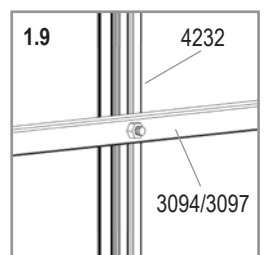
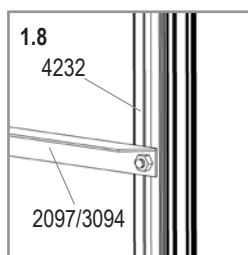
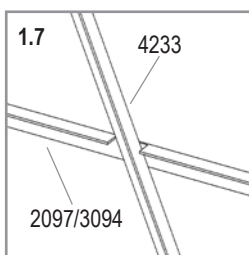
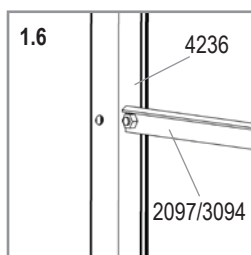
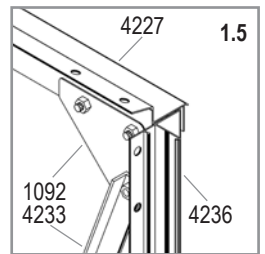
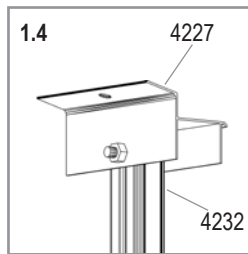
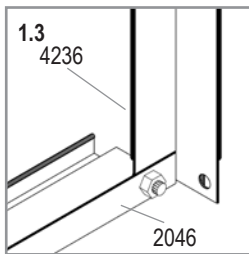
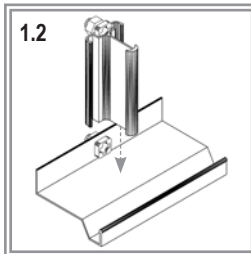
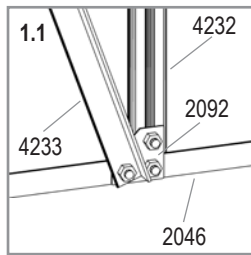
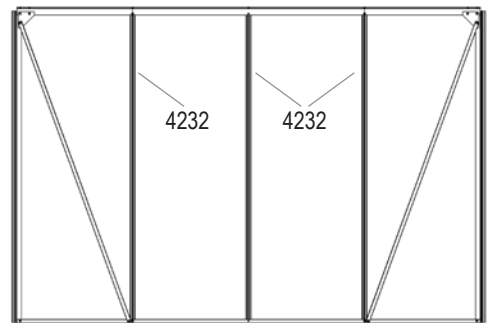
**SD1**  
+ 2 X 5A



**SD2**  
+ 2 X 5A



**SDS**  
+ 2 X 5A

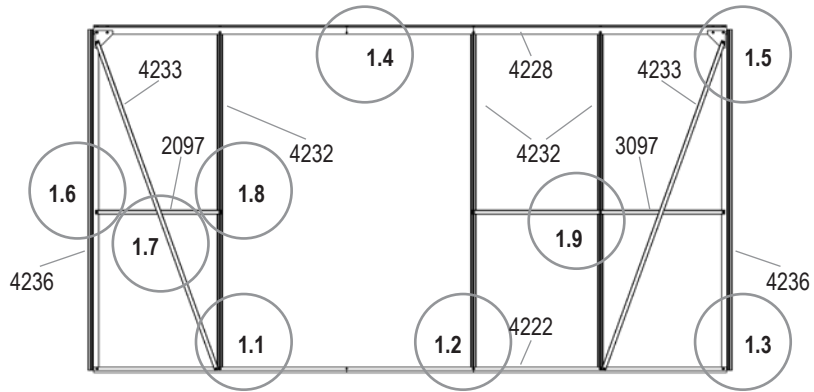


VM0028-I

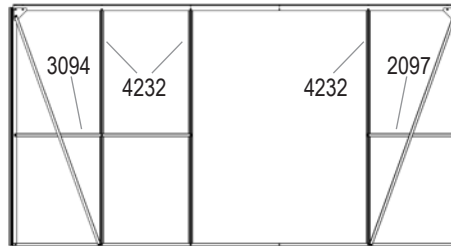
# 1 (6500)



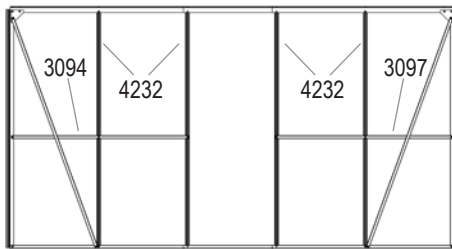
**DD1**  
+ 5BL/R



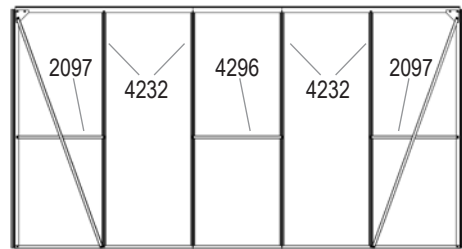
**DD2**  
+ 5BL/R



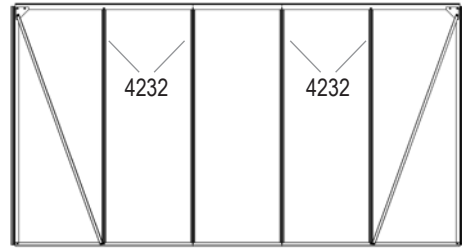
**SD1**  
+ 2 X 5A



**SD2**  
+ 2 X 5A



**SDS**  
+ 2 X 5A



**DD1 DD2 SD1 SD2 SDS**

1001



23x 23x 26x 26x 20x

1002



23x 23x 26x 26x 20x

1092



2x 2x 2x 2x 2x

2092



2x 2x 2x 2x 2x

2097



1x 1x - 2x -

3094



- 1x 1x - -

3097



1x - 1x - -

4222



1x 1x 1x 1x 1x

4228



1x 1x 1x 1x 1x

4232



3x 3x 4x 4x 4x

4233



2x 2x 2x 2x 2x

4236

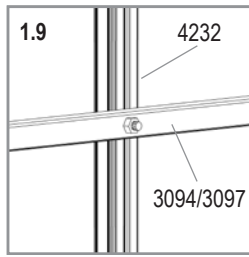
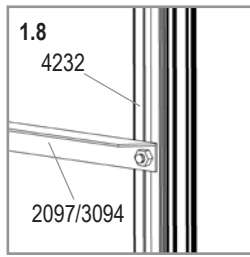
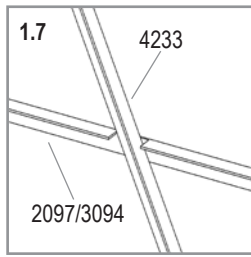
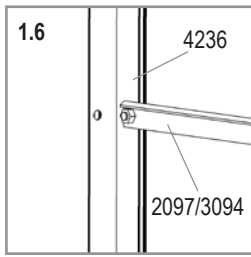
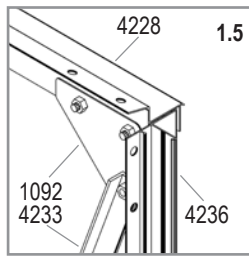
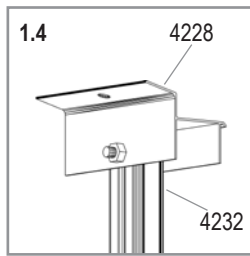
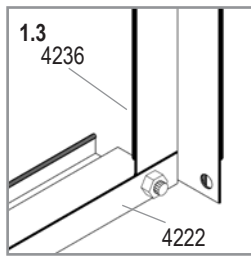
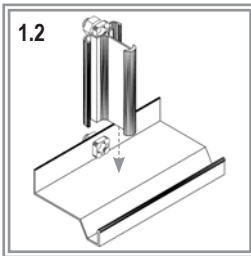
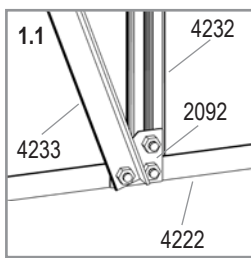


2x 2x 2x 2x 2x

4296



- - - 1x -



VM0028-I

# 1 (7800)



|     |     |     |     |     |     |
|-----|-----|-----|-----|-----|-----|
| DD1 | DD2 | DD3 | SD1 | SD2 | SDS |
|-----|-----|-----|-----|-----|-----|

|      |  |
|------|--|
| 1001 |  |
|------|--|

|     |     |     |     |     |     |
|-----|-----|-----|-----|-----|-----|
| 26x | 26x | 26x | 29x | 29x | 22x |
|-----|-----|-----|-----|-----|-----|

|      |  |
|------|--|
| 1002 |  |
|------|--|

|     |     |     |     |     |     |
|-----|-----|-----|-----|-----|-----|
| 26x | 26x | 26x | 29x | 29x | 22x |
|-----|-----|-----|-----|-----|-----|

|      |  |
|------|--|
| 1092 |  |
|------|--|

|    |    |    |    |    |    |
|----|----|----|----|----|----|
| 2x | 2x | 2x | 2x | 2x | 2x |
|----|----|----|----|----|----|

|      |  |
|------|--|
| 2092 |  |
|------|--|

|    |    |    |    |    |    |
|----|----|----|----|----|----|
| 2x | 2x | 2x | 2x | 2x | 2x |
|----|----|----|----|----|----|

|      |  |
|------|--|
| 2097 |  |
|------|--|

|    |   |    |    |    |   |
|----|---|----|----|----|---|
| 2x | - | 2x | 1x | 1x | - |
|----|---|----|----|----|---|

|      |  |
|------|--|
| 3094 |  |
|------|--|

|   |    |   |   |    |   |
|---|----|---|---|----|---|
| - | 1x | - | - | 1x | - |
|---|----|---|---|----|---|

|      |  |
|------|--|
| 3097 |  |
|------|--|

|   |    |   |    |   |   |
|---|----|---|----|---|---|
| - | 1x | - | 1x | - | - |
|---|----|---|----|---|---|

|      |  |
|------|--|
| 4223 |  |
|------|--|

|    |    |    |    |    |    |
|----|----|----|----|----|----|
| 1x | 1x | 1x | 1x | 1x | 1x |
|----|----|----|----|----|----|

|      |  |
|------|--|
| 4229 |  |
|------|--|

|    |    |    |    |    |    |
|----|----|----|----|----|----|
| 1x | 1x | 1x | 1x | 1x | 1x |
|----|----|----|----|----|----|

|      |  |
|------|--|
| 4232 |  |
|------|--|

|    |    |    |    |    |    |
|----|----|----|----|----|----|
| 4x | 4x | 4x | 5x | 5x | 5x |
|----|----|----|----|----|----|

|      |  |
|------|--|
| 4233 |  |
|------|--|

|    |    |    |    |    |    |
|----|----|----|----|----|----|
| 2x | 2x | 2x | 2x | 2x | 2x |
|----|----|----|----|----|----|

|      |  |
|------|--|
| 4236 |  |
|------|--|

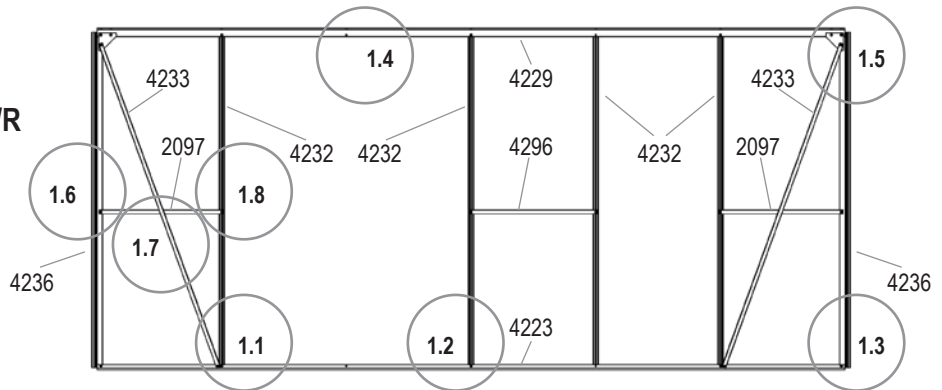
|    |    |    |    |    |    |
|----|----|----|----|----|----|
| 2x | 2x | 2x | 2x | 2x | 2x |
|----|----|----|----|----|----|

|      |  |
|------|--|
| 4296 |  |
|------|--|

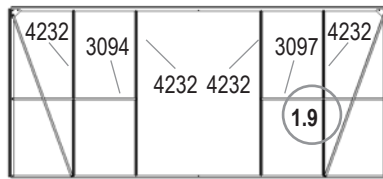
|    |   |    |    |    |   |
|----|---|----|----|----|---|
| 1x | - | 1x | 1x | 1x | - |
|----|---|----|----|----|---|

VM0028-I

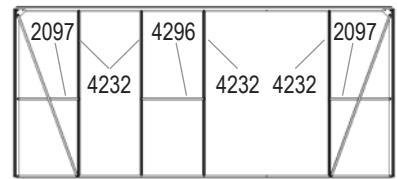
**DD1**  
+ 5BL/R



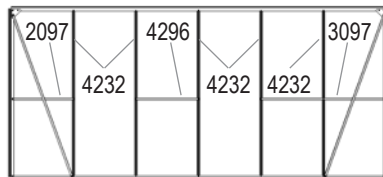
**DD2**  
+ 5BL/R



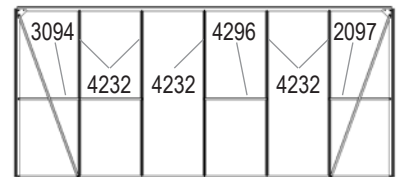
**DD3**  
+ 5BL/R



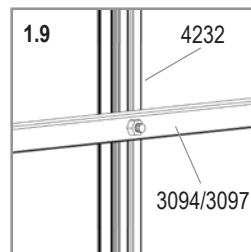
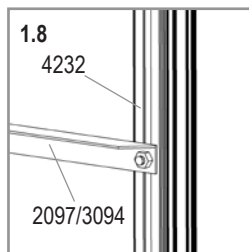
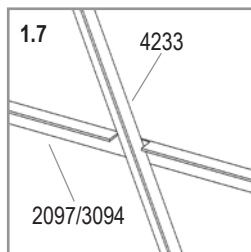
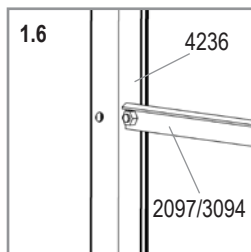
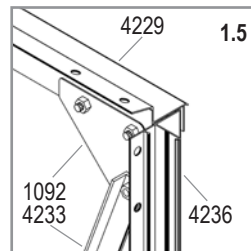
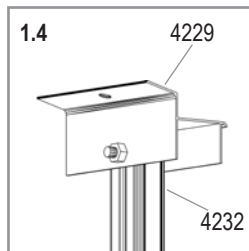
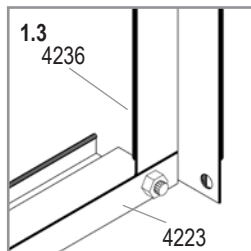
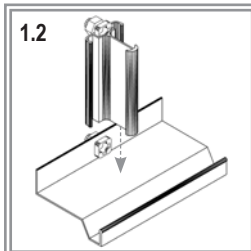
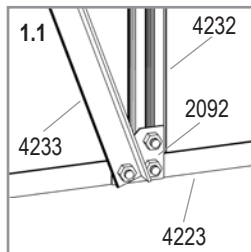
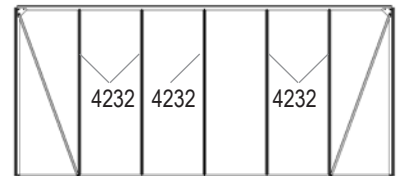
**SD1**  
+ 2 X 5A



**SD2**  
+ 2 X 5A



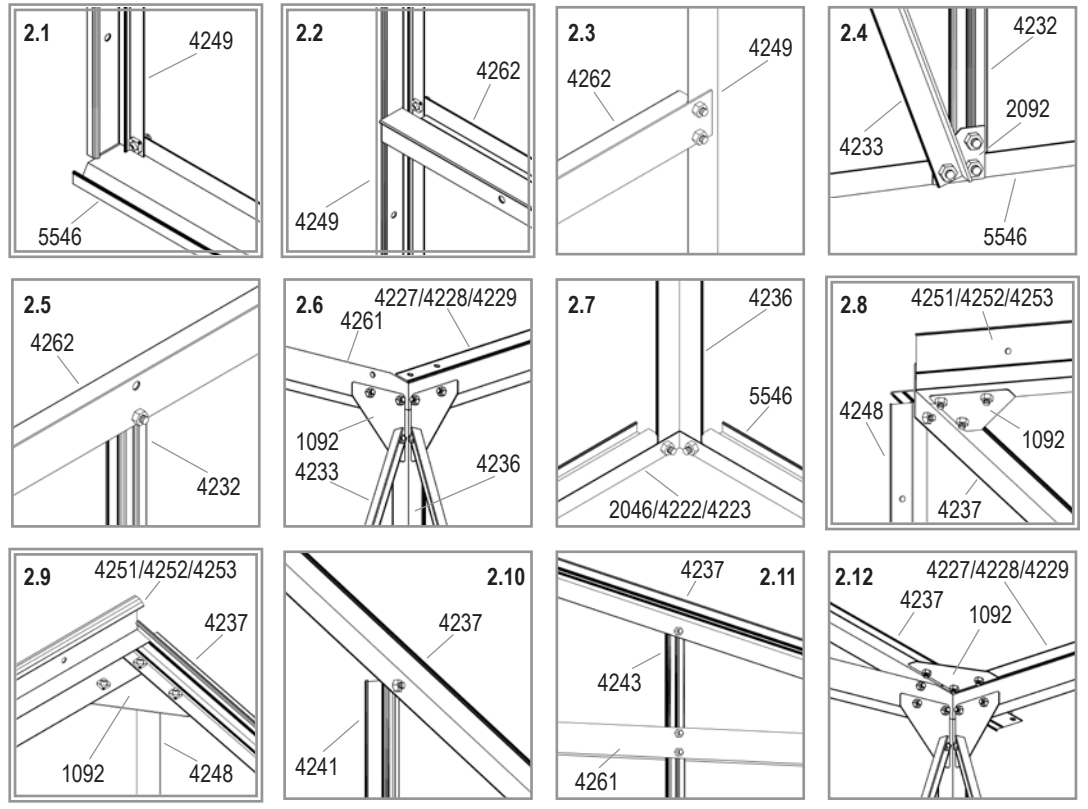
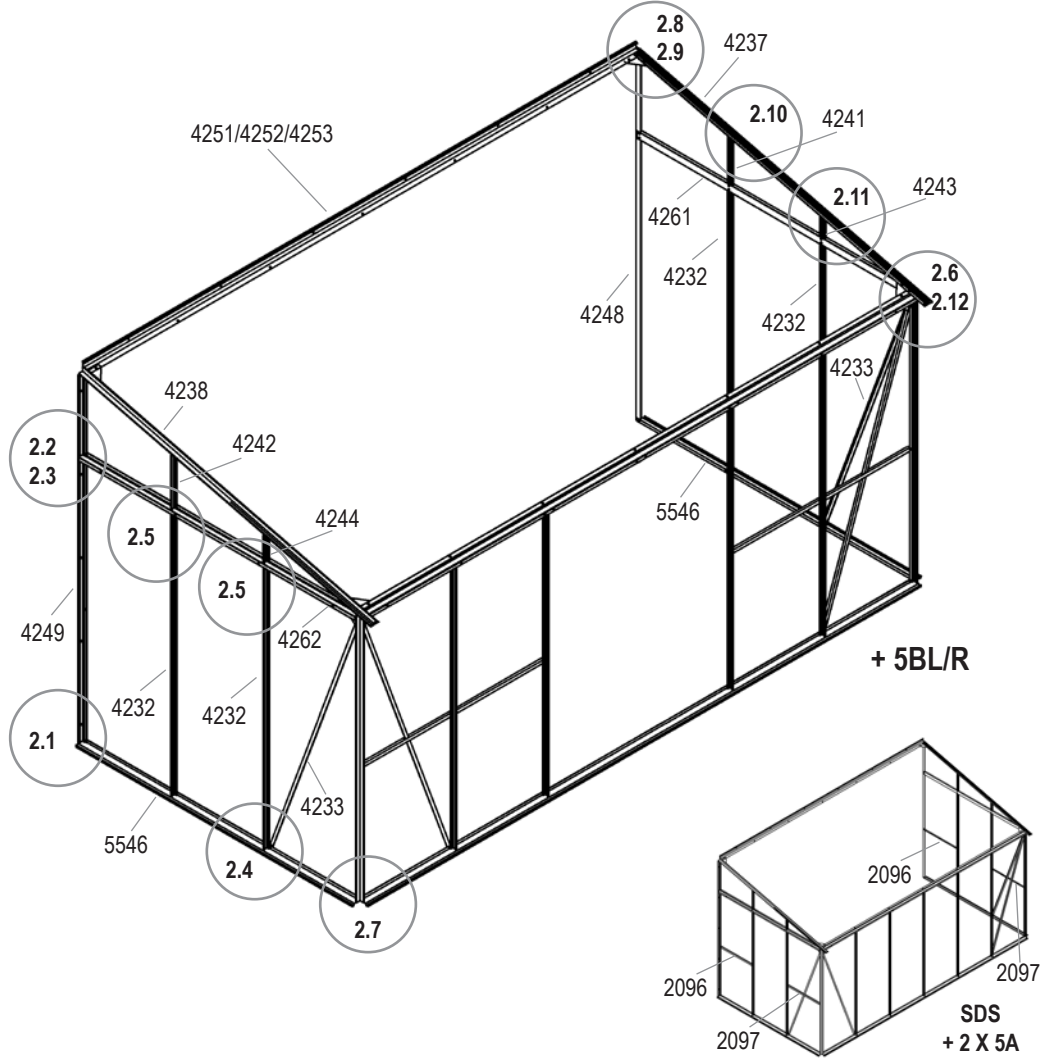
**SDS**  
+ 2 X 5A



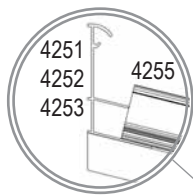
# 2



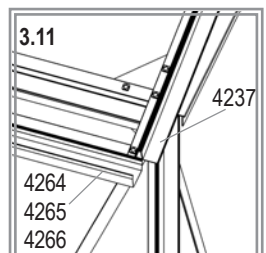
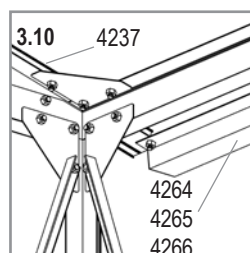
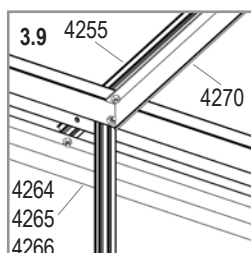
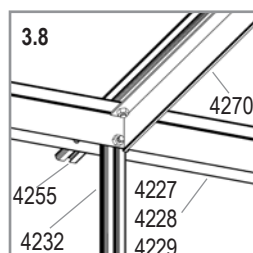
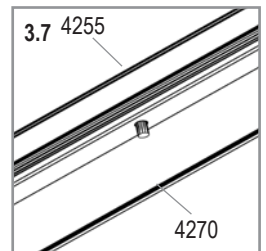
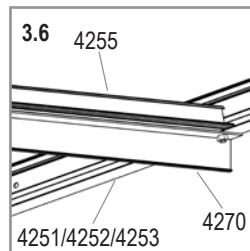
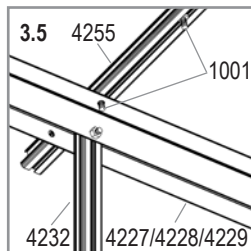
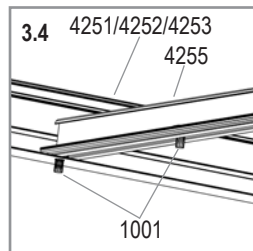
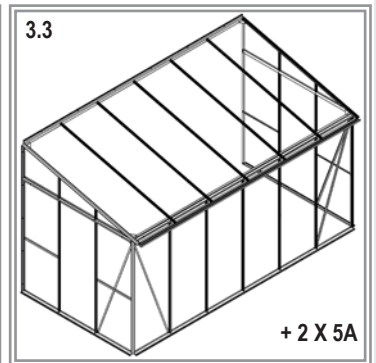
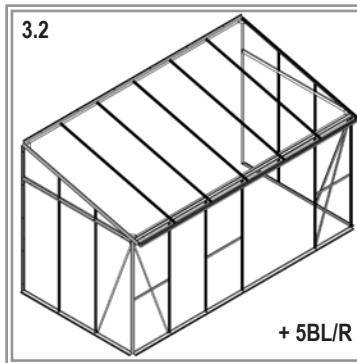
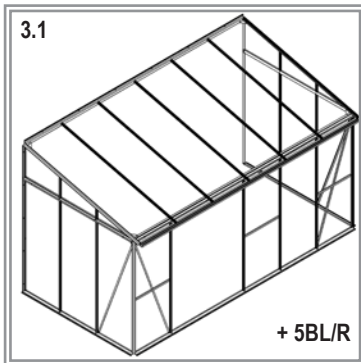
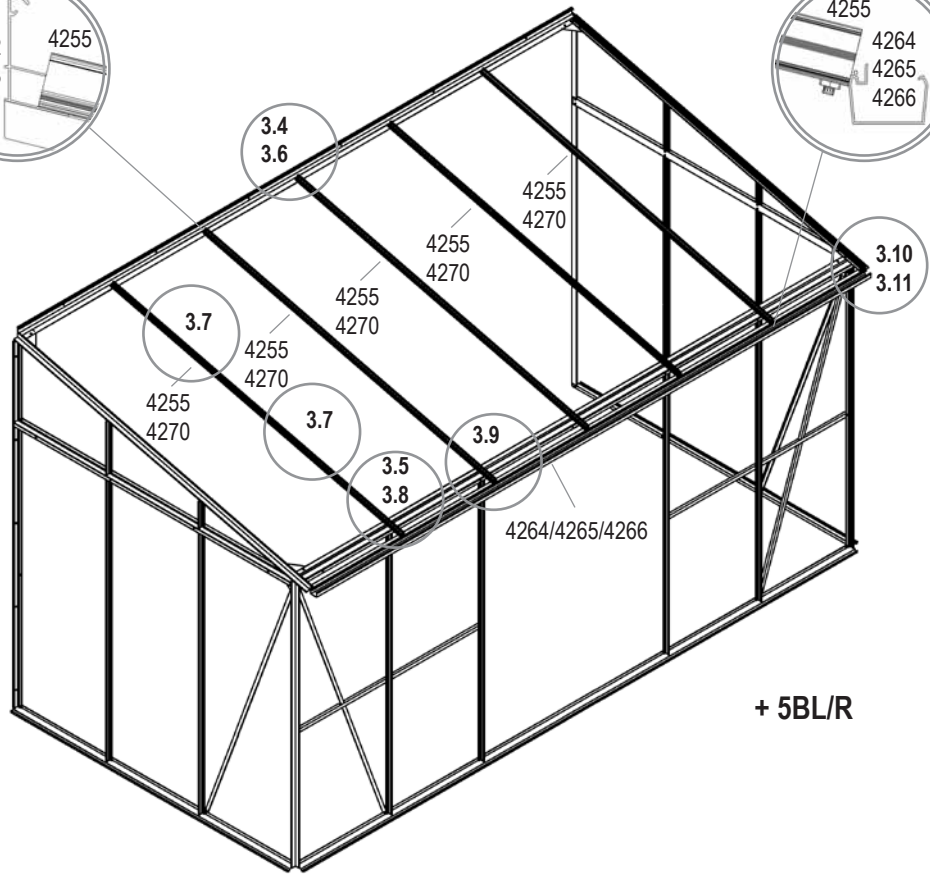
| 5200                 | 6500 | 7800 |
|----------------------|------|------|
| 1001<br>50x(sds 58x) |      |      |
| 1002<br>50x(sds 58x) |      |      |
| 1092<br>6x           |      |      |
| 2092<br>2x           |      |      |
| 2096<br>0x(sds 2x)   |      |      |
| 2097<br>0x(sds 2x)   |      |      |
| 4232<br>4x           |      |      |
| 4233<br>2x           |      |      |
| 4237<br>1x           |      |      |
| 4238<br>1x           |      |      |
| 4241<br>1x           |      |      |
| 4242<br>1x           |      |      |
| 4243<br>1x           |      |      |
| 4244<br>1x           |      |      |
| 4248<br>1x           |      |      |
| 4249<br>1x           |      |      |
| 4251                 | 4252 | 4253 |
| 1x                   | 1x   | 1x   |
| 4261<br>1x           |      |      |
| 4262<br>1x           |      |      |
| 5546<br>2x           |      |      |
| VM0028-I             |      |      |



# 3

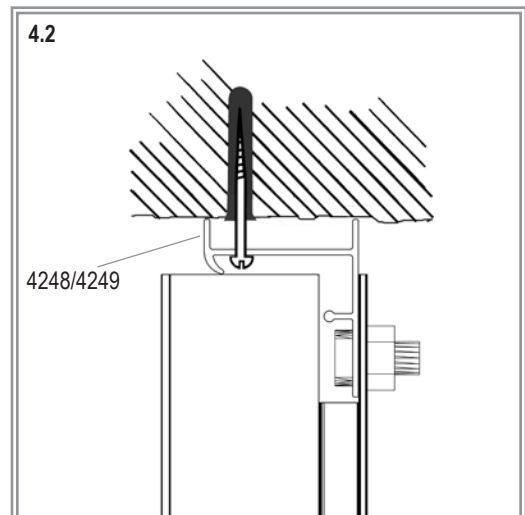
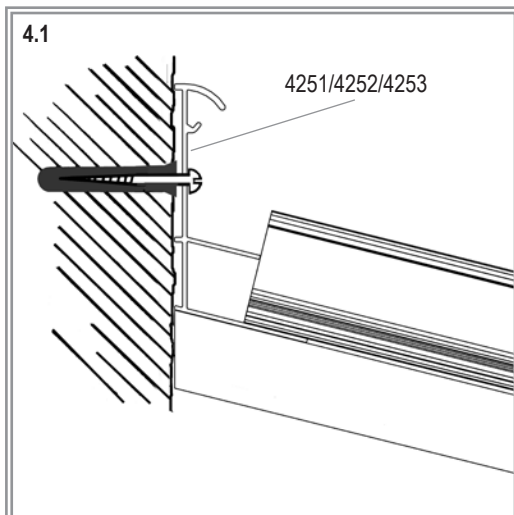
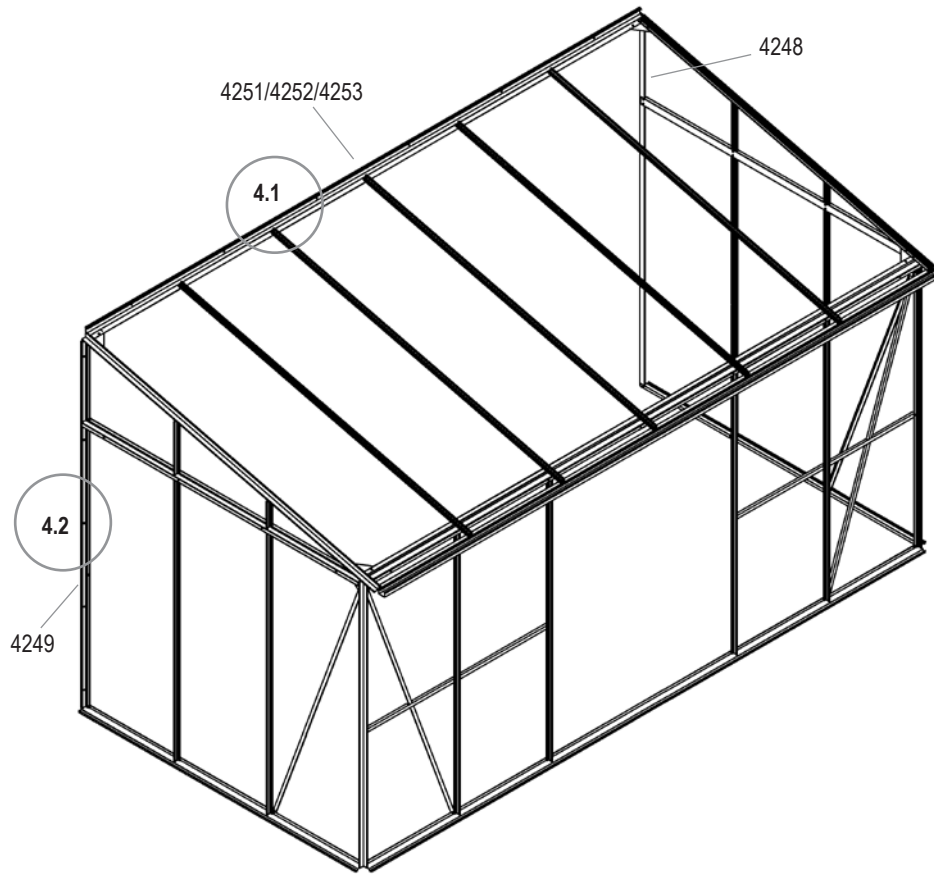


|      |      |      |
|------|------|------|
| 5200 | 6500 | 7800 |
| 1001 |      |      |
| 17x  | 22x  | 27x  |
| 1002 |      |      |
| 11x  | 14x  | 17x  |
| 4255 |      |      |
| 3x   | 4x   | 5x   |
|      |      |      |
| 4264 | 4265 | 4266 |
| 1x   | 1x   | 1x   |
| 4270 |      |      |
| 3x   | 4x   | 5x   |



VM0028-I

# 4



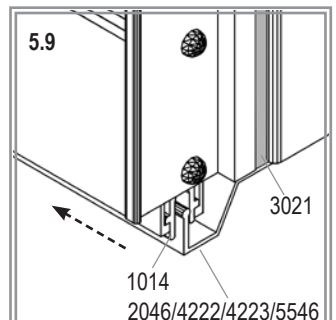
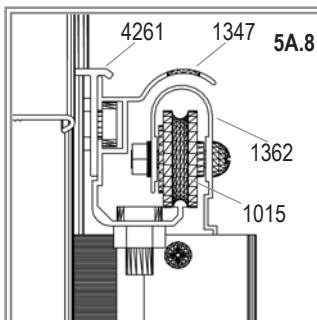
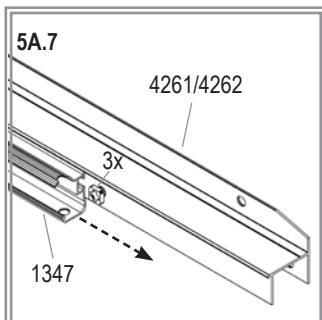
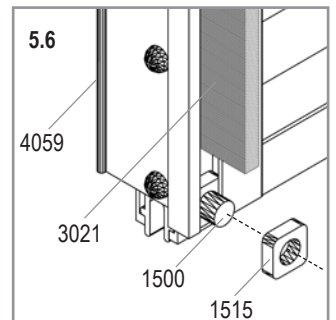
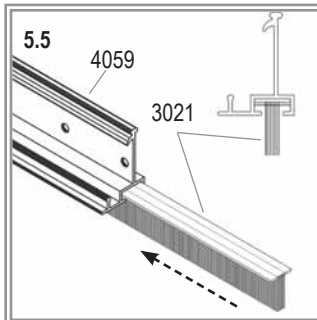
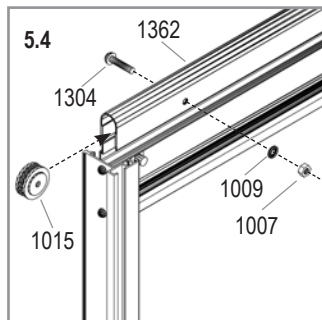
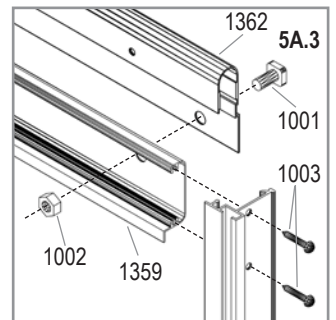
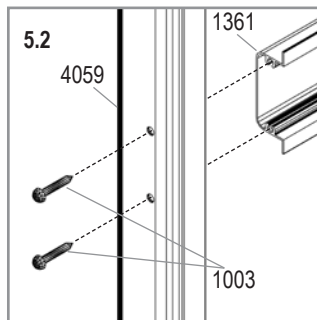
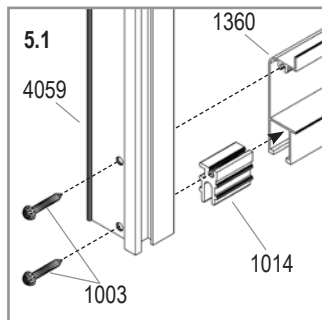
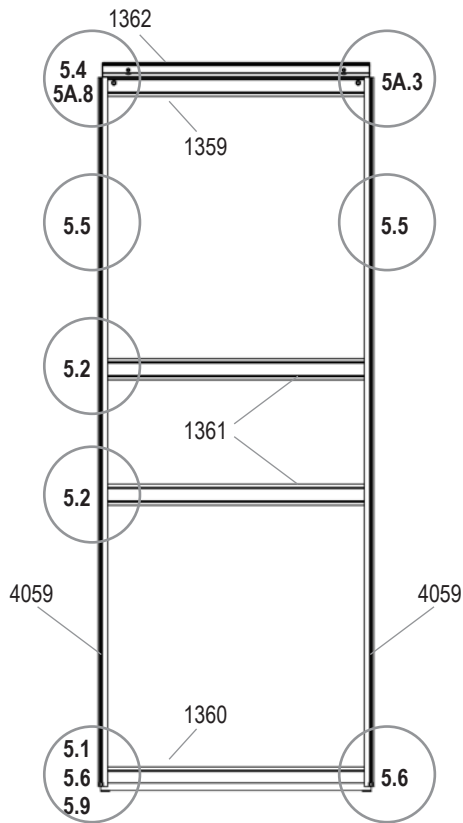
VM0028-I

# 5A

2x



- 1001 7x 2
- 1002 7x 2
- 1003 16x 2
- 1007 2x 2
- 1009 2x 2
- 1014 2x 2
- 1015 2x 2
- 1304 2x 2
- 1347 1x 2
- 1359 1x 2
- 1360 1x 2
- 1361 2x 2
- 1362 1x 2
- 1500 2x 2
- 1515 2x 2
- 3021 2x 2
- 4059 2x 2



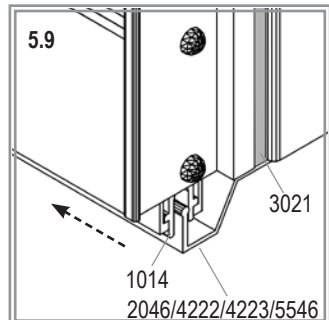
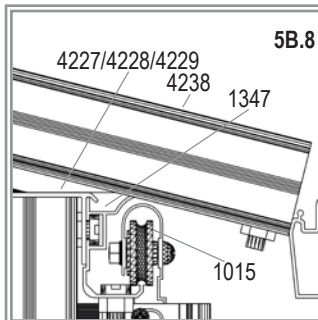
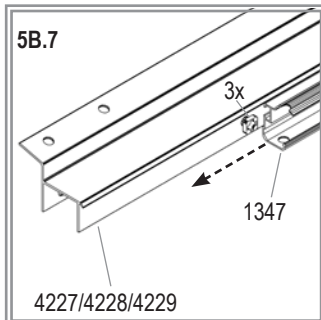
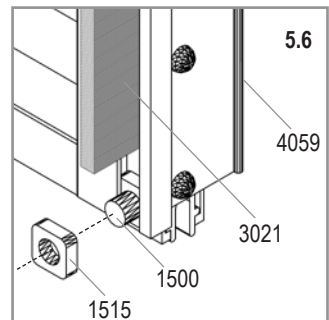
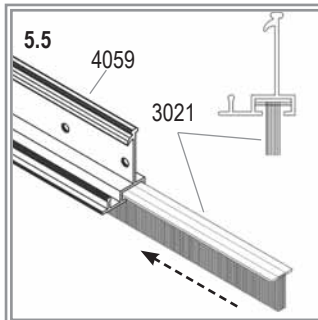
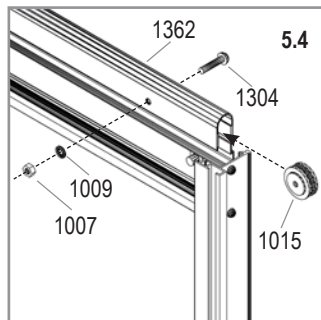
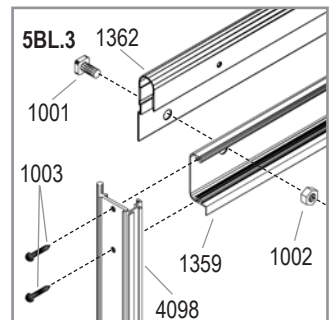
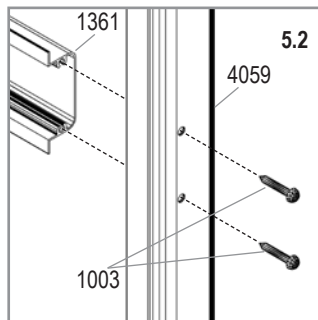
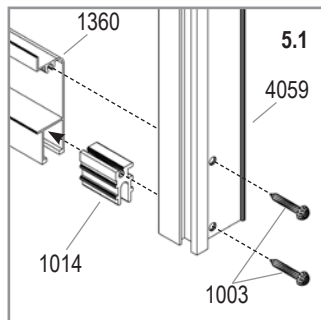
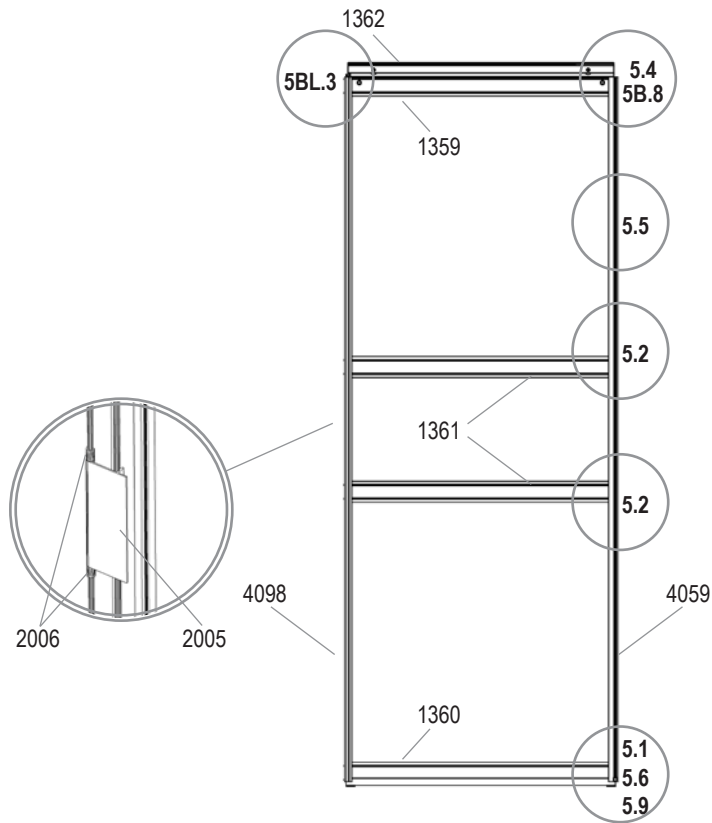
VM0028-I

# 5BL



- 1001 6x
- 1002 6x
- 1003 16x
- 1007 2x
- 1009 2x
- 1014 2x
- 1015 2x
- 1304 2x
- 1347 1x
- 1359 1x
- 1360 1x
- 1361 2x
- 1362 1x
- 1500 1x
- 1515 1x
- 2005 1x
- 2006 2x
- 3021 1x
- 4059 1x
- 4098 1x

VM0028-I

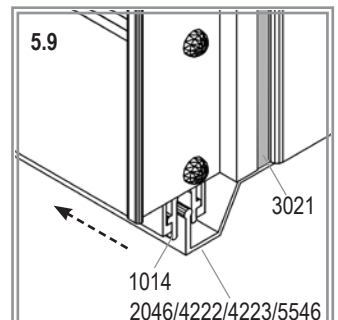
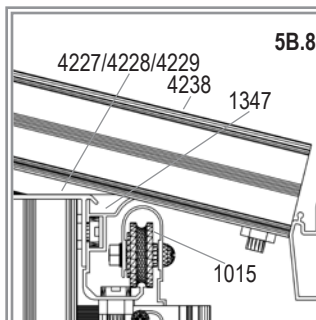
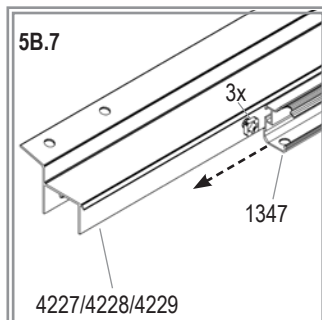
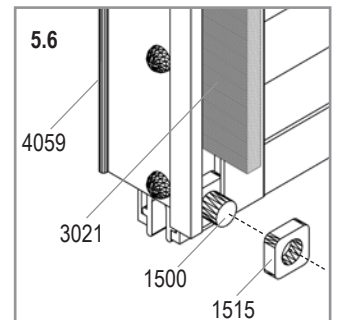
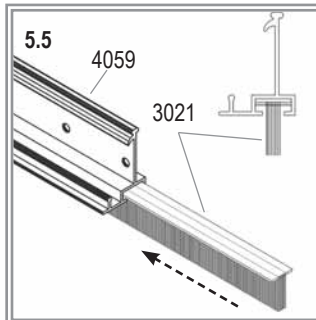
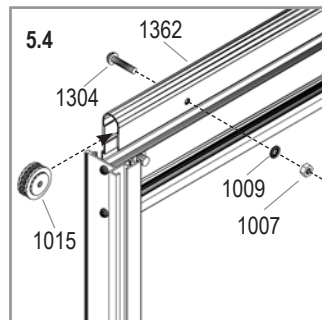
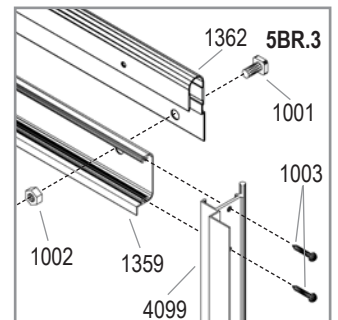
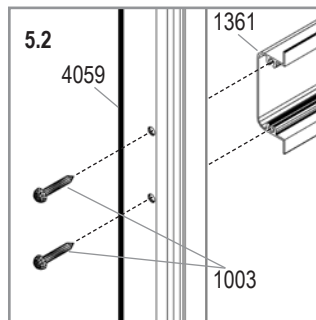
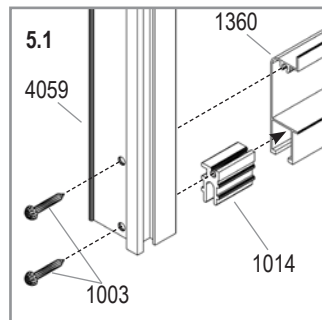
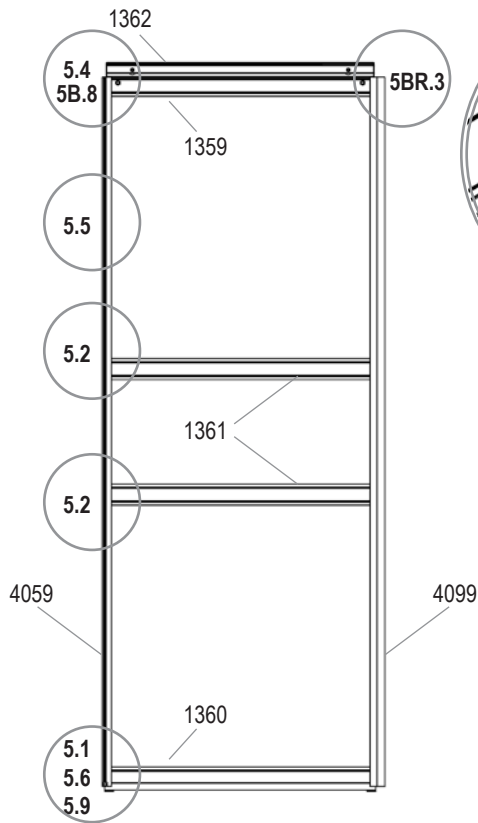




# 5BR



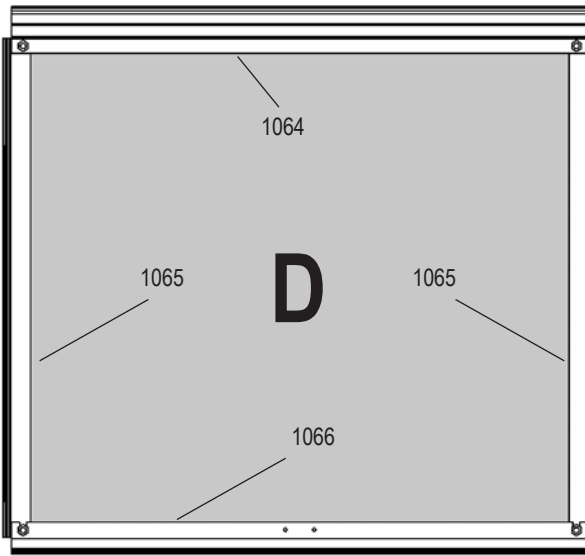
VM0028-I



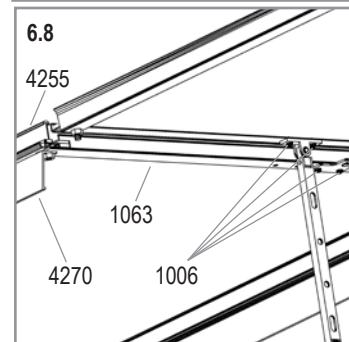
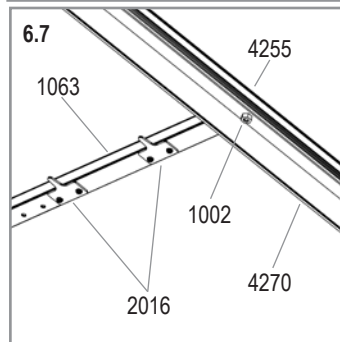
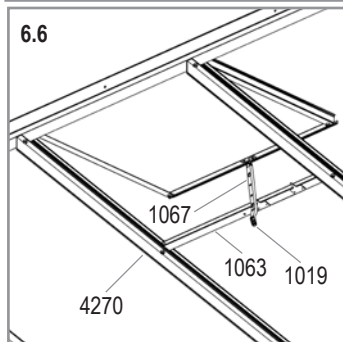
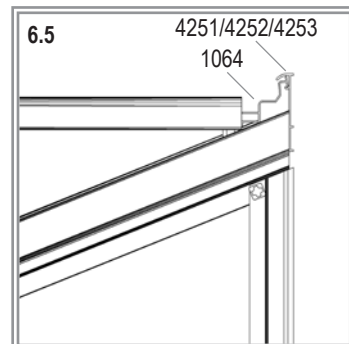
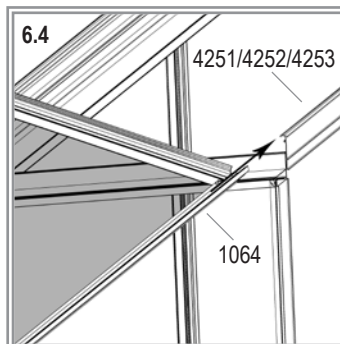
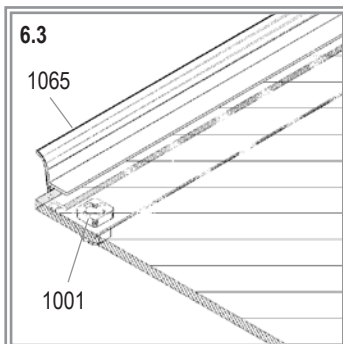
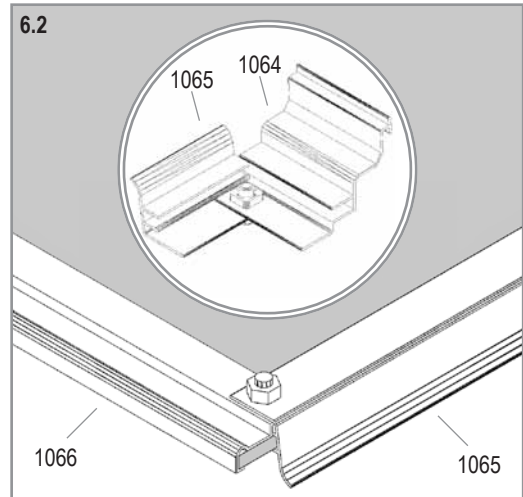
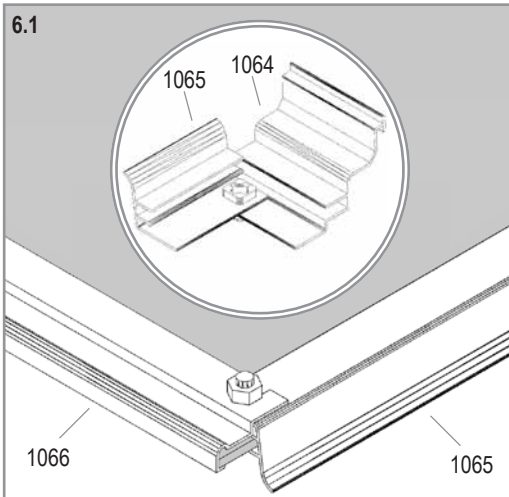
# 6



|             |             |             |
|-------------|-------------|-------------|
| <b>5200</b> | <b>6500</b> | <b>7800</b> |
| <b>1x</b>   | <b>2x</b>   | <b>2x</b>   |
| 1001        |             |             |
| 4x 1        | 4x 2        | 4x 2        |
| 1002        |             |             |
| 10          | 16          | 18          |
| 1006        |             |             |
| 6x 1        | 6x 2        | 6x 2        |
| 1019        |             |             |
| 1x 1        | 1x 2        | 1x 2        |
| 1063        |             |             |
| 1x 1        | 1x 2        | 1x 2        |
| 1064        |             |             |
| 1x 1        | 1x 2        | 1x 2        |
| 1065        |             |             |
| 2x 1        | 2x 2        | 2x 2        |
| 1066        |             |             |
| 1x 1        | 1x 2        | 1x 2        |
| 1067        |             |             |
| 1x 1        | 1x 2        | 1x 2        |
| 2016        |             |             |
| 1x 1        | 1x 2        | 1x 2        |

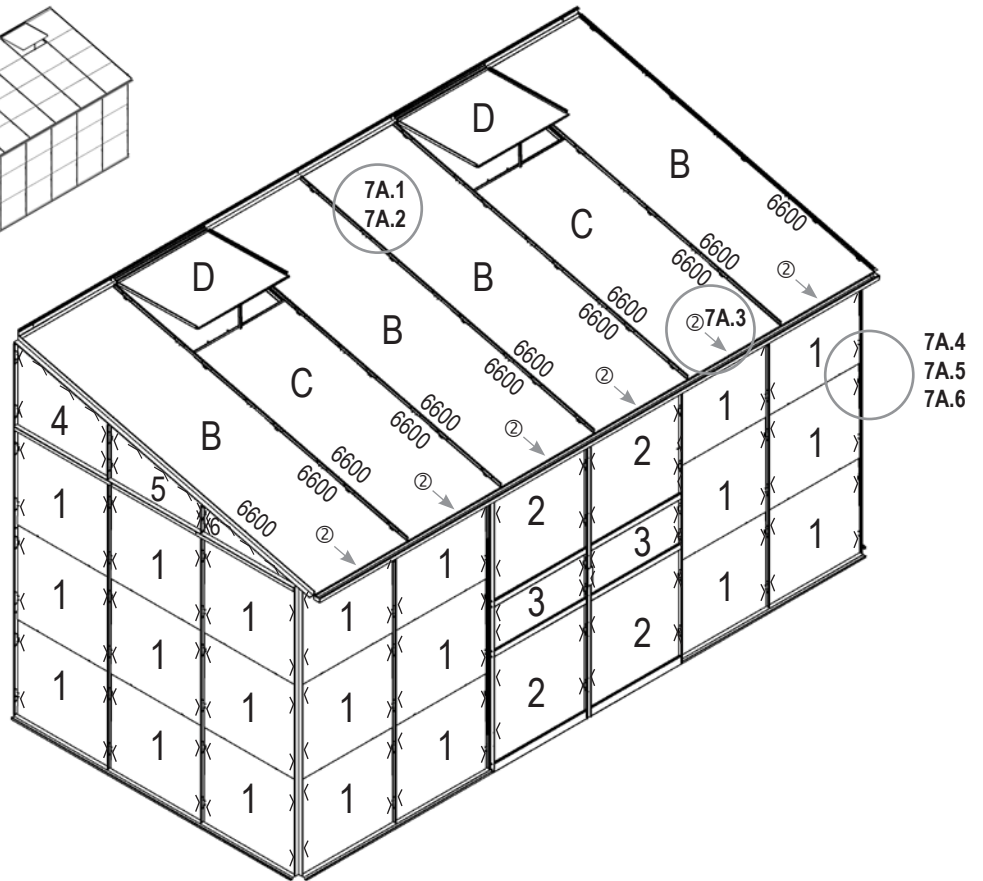
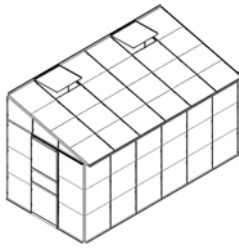
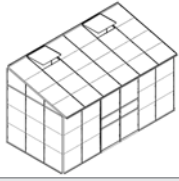


| Art. No. D | mm        | 5200 | 6500 | 7800 |
|------------|-----------|------|------|------|
| 369430     | 600 x 544 | 1x   | 2x   | 2x   |



VM0028-I

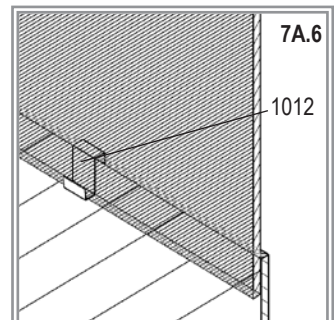
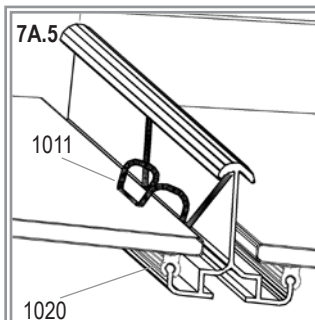
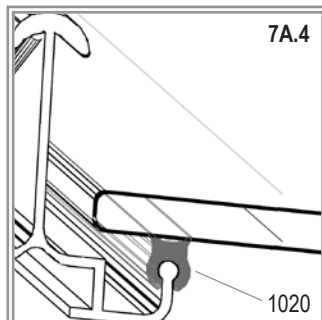
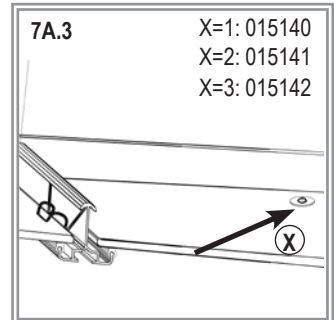
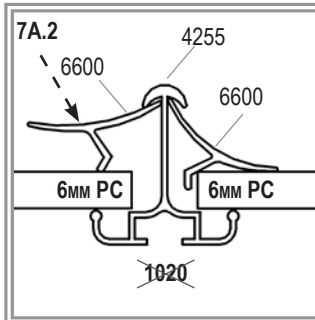
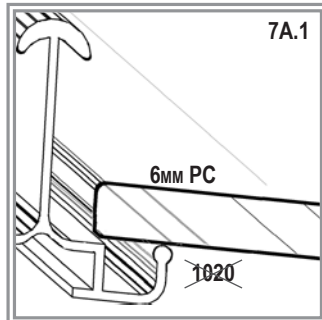
# 7A



|      |      |      |
|------|------|------|
| 5200 | 6500 | 7800 |
| 1011 |      |      |
| 158x | 170x | 182x |
| 1012 |      |      |
| 32x  | 36x  | 40x  |
| 1020 |      |      |
| 1x   | 1x   | 1x   |

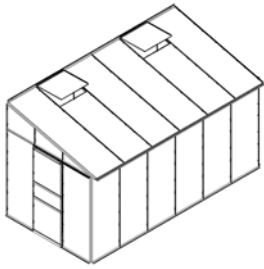
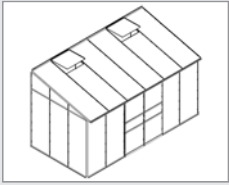
|                    |     |     |
|--------------------|-----|-----|
| *                  |     |     |
| 015141<br>(3.5x13) |     |     |
| 4x                 | 5x  | 6x  |
| 11/4               |     |     |
| 4x                 | 5x  | 6x  |
| 6600               |     |     |
| 8x                 | 10x | 12x |

|              | No.     | PC, mm (±3mm)  | Glass, mm     | 5200       | 6500       | 7800       |
|--------------|---------|----------------|---------------|------------|------------|------------|
| <b>B</b>     | 369968  | 610 x 2030 x 6 |               | 3x         | 3x         | 4x         |
| <b>C</b>     | 369969  | 610 x 1484 x 6 |               | 1x         | 2x         | 2x         |
| <b>D</b>     | 369430  | 600 x 544 x 4  |               | 1x         | 2x         | 2x         |
| <b>1</b>     | 3679961 |                | 610 x 561     | 24x        | 27x        | 30x        |
| <b>2</b>     | 3679011 |                | 610 x 610     | 4x         | 4x         | 4x         |
| <b>3</b>     | 3679481 |                | 610 x 248     | 2x         | 2x         | 2x         |
| <b>4</b>     | 3679931 |                | 612 x 472/320 | 2x         | 2x         | 2x         |
| <b>5</b>     | 3679941 |                | 612 x 317/165 | 2x         | 2x         | 2x         |
| <b>6</b>     | 3679951 |                | 612 x 162/10  | 2x         | 2x         | 2x         |
| <b>Total</b> |         |                |               | <b>41x</b> | <b>46x</b> | <b>50x</b> |



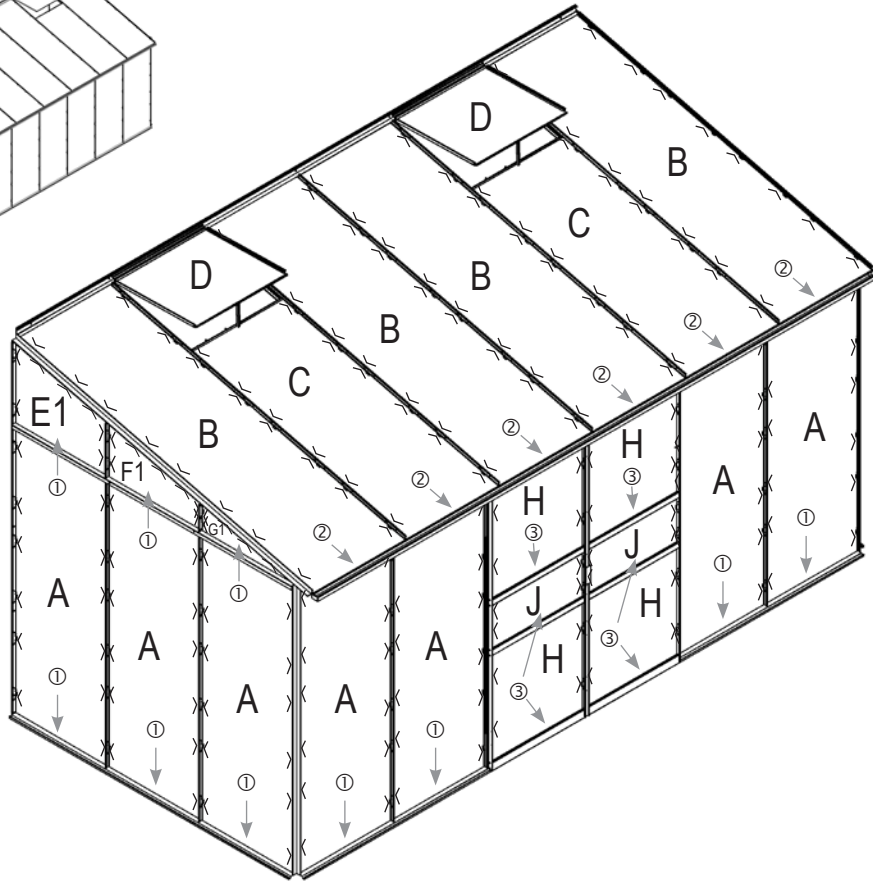
VM0028-I

# 7B

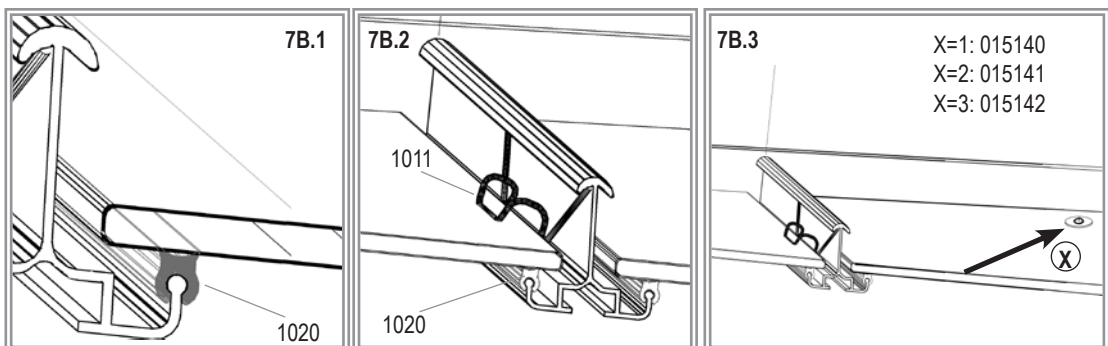


|      |      |      |
|------|------|------|
| 5200 | 6500 | 7800 |
| 1011 |      |      |
| 218x | 242x | 270x |
| 1020 |      |      |
| 1x   | 1x   | 1x   |

|                     |     |     |
|---------------------|-----|-----|
| *                   |     |     |
| 015140<br>(3.5x19)  |     |     |
| 14x                 | 15x | 16x |
| 015141<br>(3.5x13)  |     |     |
| 4x                  | 5x  | 6x  |
| 015142<br>(3.5x9.5) |     |     |
| 6x                  | 6x  | 6x  |
| 11/4                |     |     |
| 24x                 | 26x | 28x |

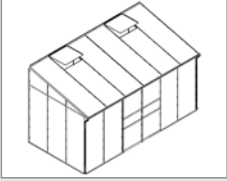


|              | No. (4mm PC)  | No. (6mm PC)  | mm (±3mm)     | 5200       | 6500       | 7800       |
|--------------|---------------|---------------|---------------|------------|------------|------------|
| <b>A</b>     | 369867        | 369967        | 610 x 1656    | 8x         | 9x         | 10x        |
| <b>B</b>     | 369968 (6mm)  | 369968        | 610 x 2030    | 3x         | 3x         | 4x         |
| <b>C</b>     | 369969 (6mm)  | 369969        | 610 x 1484    | 1x         | 2x         | 2x         |
| <b>D</b>     | 369430        | 369430        | 600 x 544 x 4 | 1x         | 2x         | 2x         |
| <b>E1/E2</b> | 369871/369872 | 369971/369972 | 610 x 472/320 | 2x         | 2x         | 2x         |
| <b>F1/F2</b> | 369874/369875 | 369974/369975 | 610 x 317/165 | 2x         | 2x         | 2x         |
| <b>G1/G2</b> | 369877/369878 | 369977/369978 | 610 x 162/10  | 2x         | 2x         | 2x         |
| <b>H</b>     | 369426        | 3694261       | 610 x 610     | 4x         | 4x         | 4x         |
| <b>J</b>     | 369488        | 3694881       | 610 x 248     | 2x         | 2x         | 2x         |
| <b>Total</b> |               |               |               | <b>25x</b> | <b>28x</b> | <b>30x</b> |

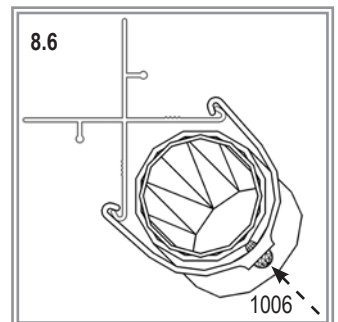
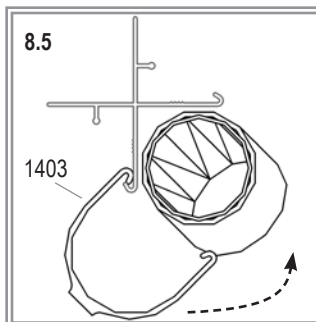
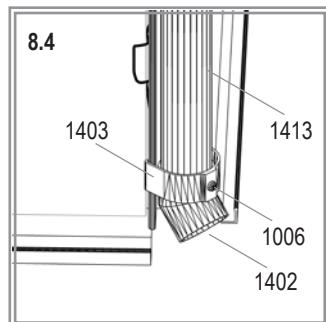
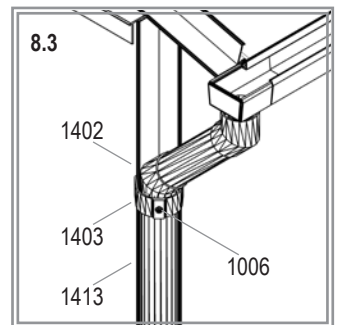
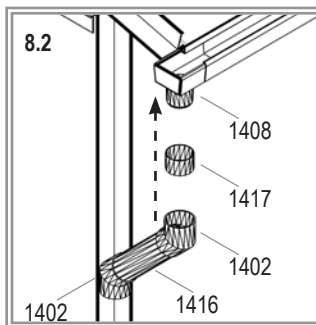
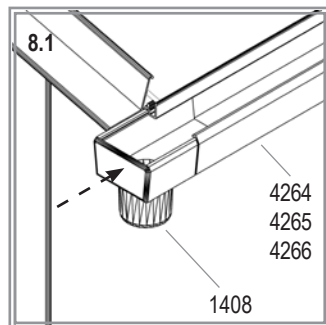
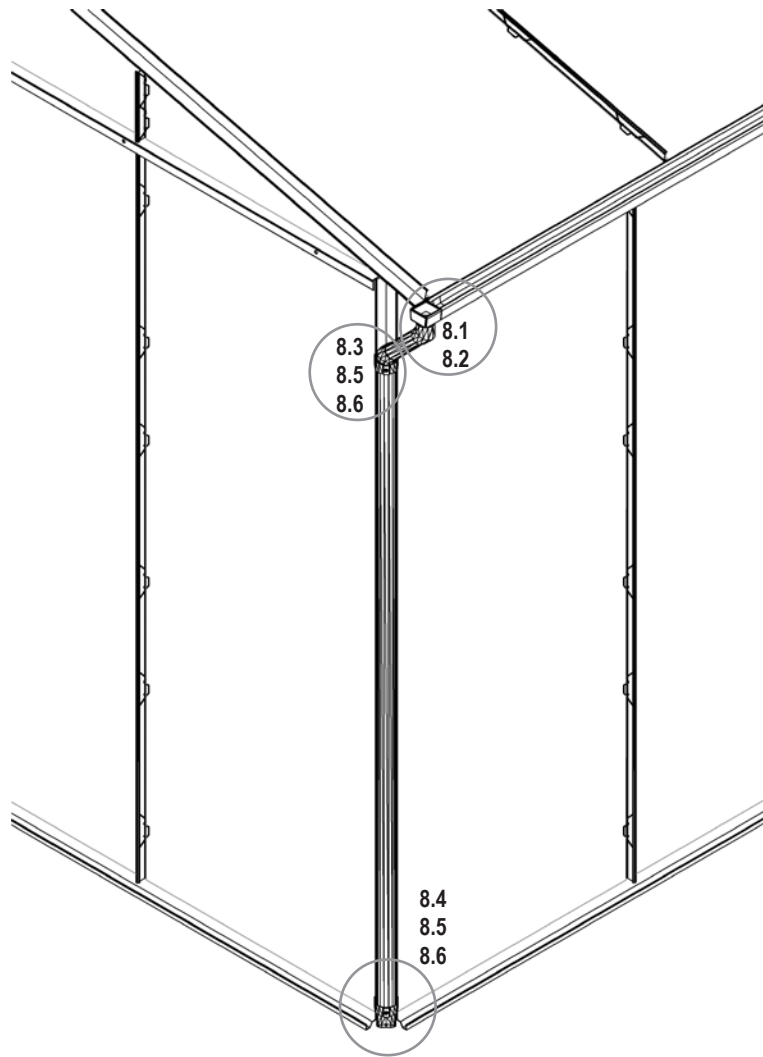


VM0028-I

# 8



|            |  |
|------------|--|
| 1006<br>4x |  |
| 1402<br>6x |  |
| 1403<br>4x |  |
| 1408<br>2x |  |
| 1413<br>2x |  |
| 1416<br>2x |  |
| 1417<br>2x |  |



VM0028-I







E.P.H. Schmidt u. Co. GmbH  
Hoefkerstrasse 30  
44149 Dortmund  
Postfach 170163  
44060 Dortmund  
Deutschland  
Tel.: +49 231 941655 0  
Fax: +49 231 941655 99  
[www.eph-schmidt.de](http://www.eph-schmidt.de)  
[verkauf@eph-schmidt.de](mailto:verkauf@eph-schmidt.de)

OPJ A/S  
Volderslevvej 36 A  
5260 Odense S  
Danmark  
Tel.: +45 66 15 10 30  
Fax: +45 66 15 00 84  
[www.opj.dk](http://www.opj.dk)  
[opj@opj.dk](mailto:opj@opj.dk)