

M2927\_01 **rauch**

Tools: Drill,  $\varnothing 5\text{mm}$  bit, SW10 wrench, screwdriver, and a person icon.

2h

11	8x 8x30	16x
18	183	
4x	8x	1x
1105	6x10,5	M4x12
227	803	2x
	M4x25	611
4x	328x17x9,5	2x
251		807
16x	4x	4x
349	M4x9	1394
568		6x
		6,3x14
26		
3x	4x	4x
580	M4	16/8,4x1,6
1009		45
		8x
		1393
3x	8x	16x
602	4x30	3,5x30
	213	318
4x	1x	
1008	M8x130	1010
	M8x55	
	X mm	X mm
	X mm	X mm

PT010 (Top Panel)

SE010 (Side Panel)

RW010 (Rear Panel)

BT020 (Backrest Panel)

SE020 (Side Panel)

BO010 (Backrest Board)

RW010 (Rear Panel)

BT010 (Backrest Panel)

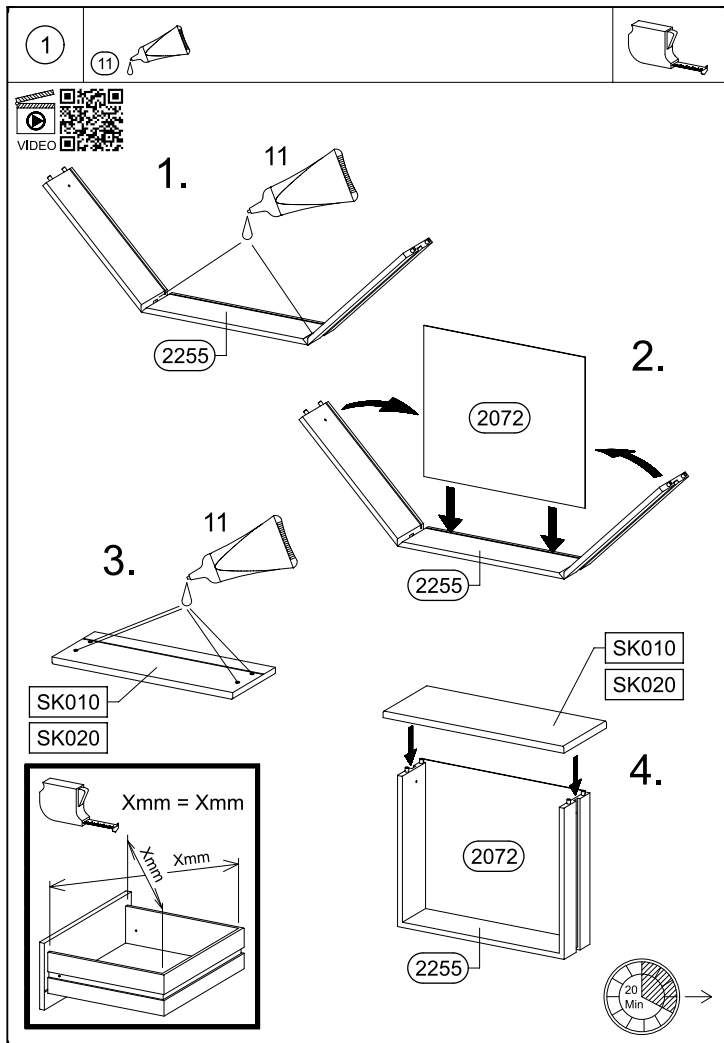
2255 (Drawer Frame)

2072 (Drawer Bottom)

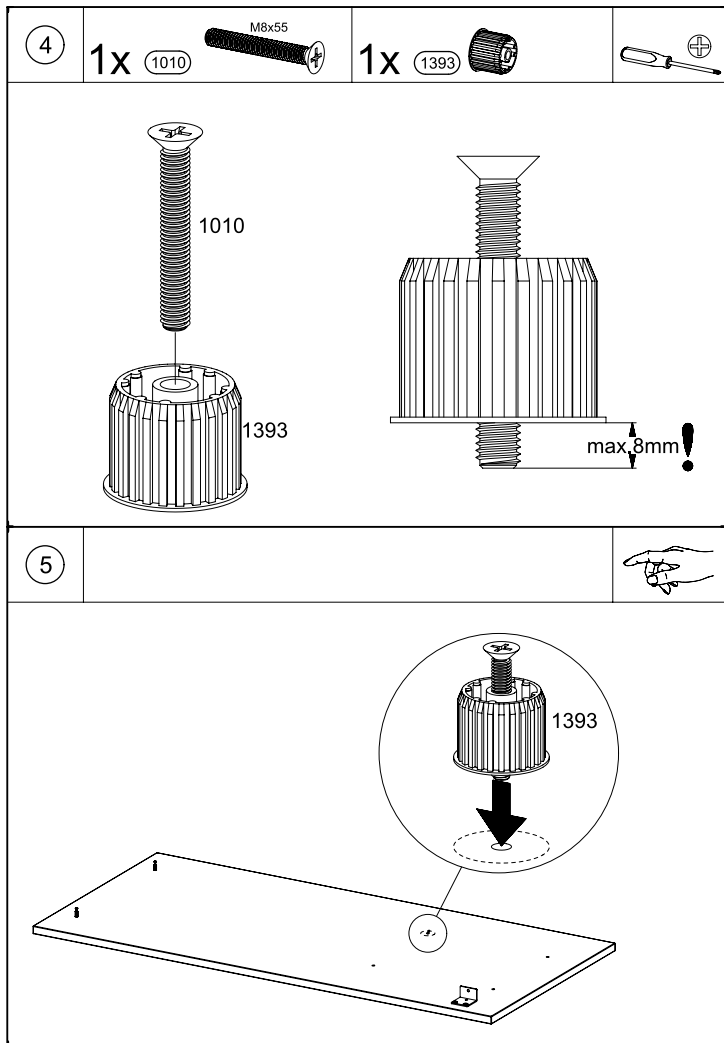
SK010 (Drawer Front)

SK020 (Drawer Front)

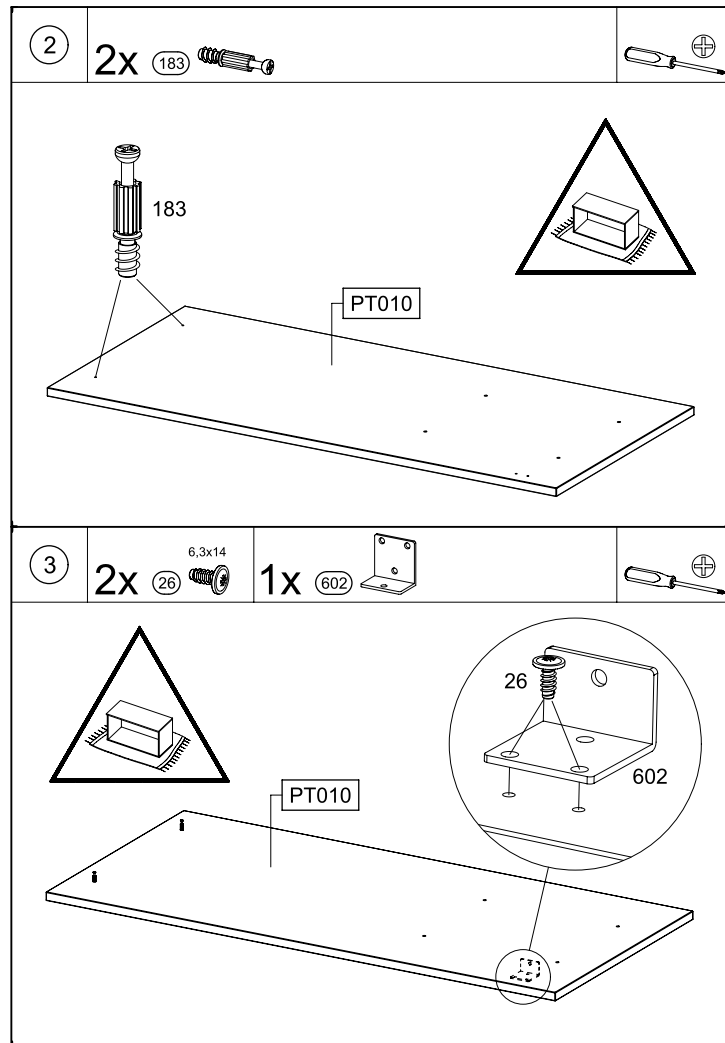
FU010 (Fasteners)



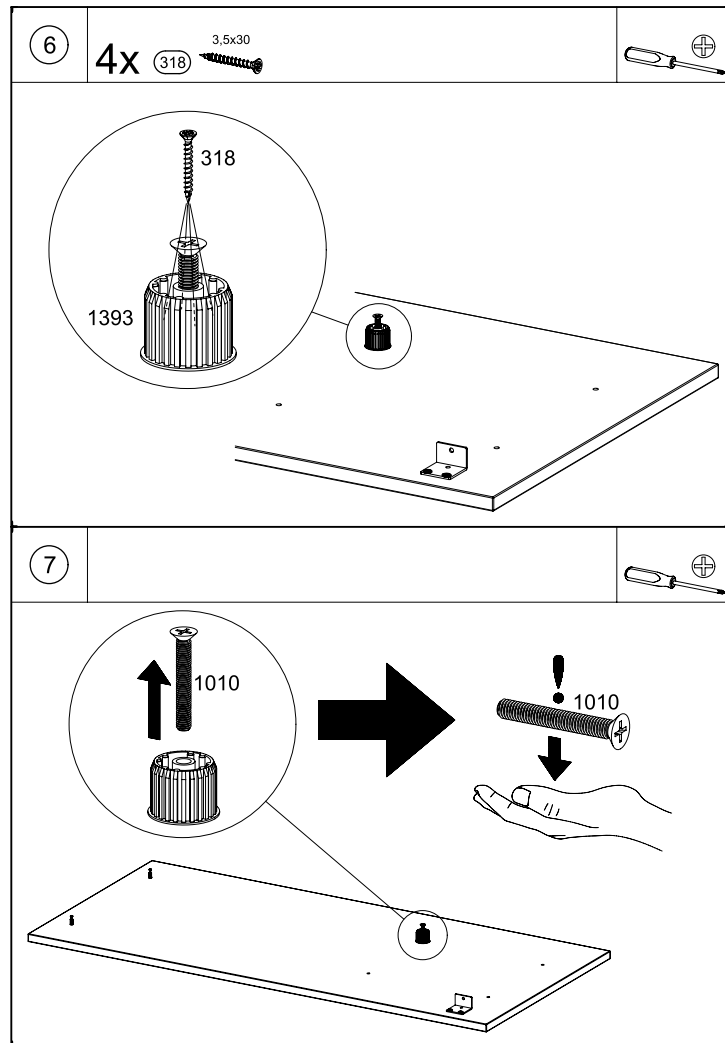
M2927



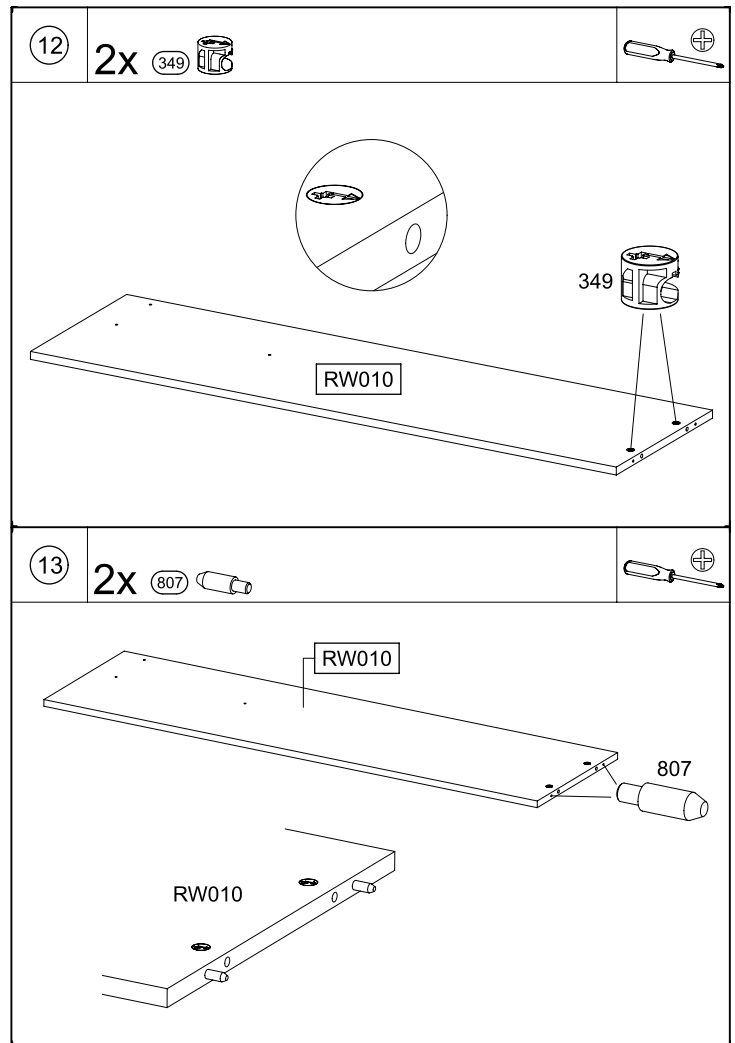
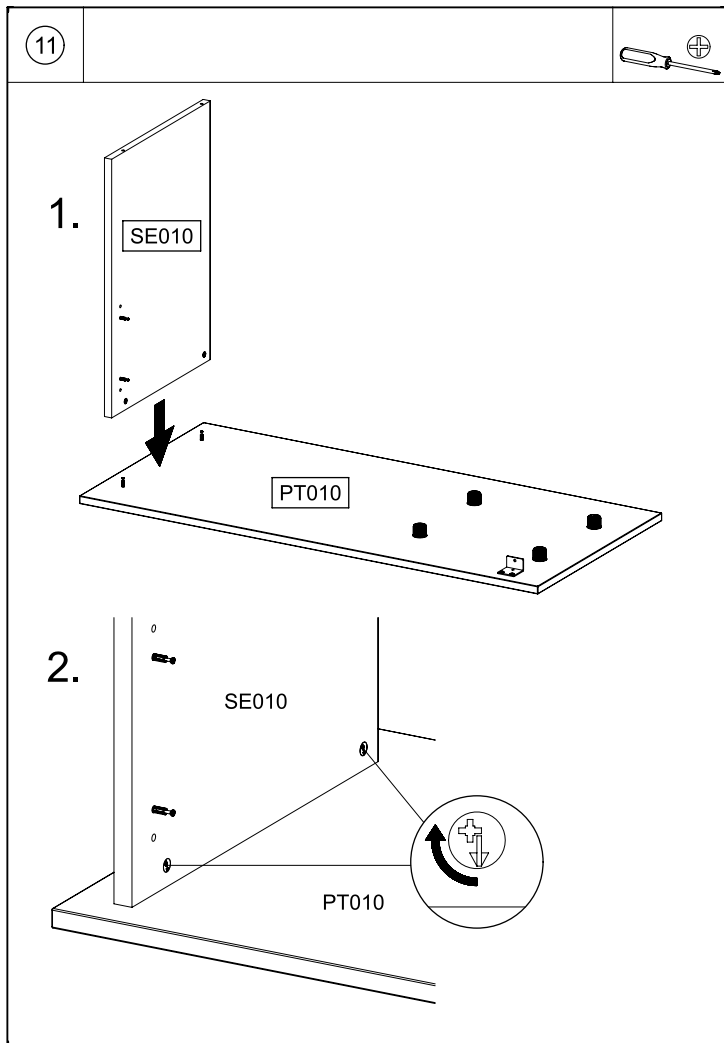
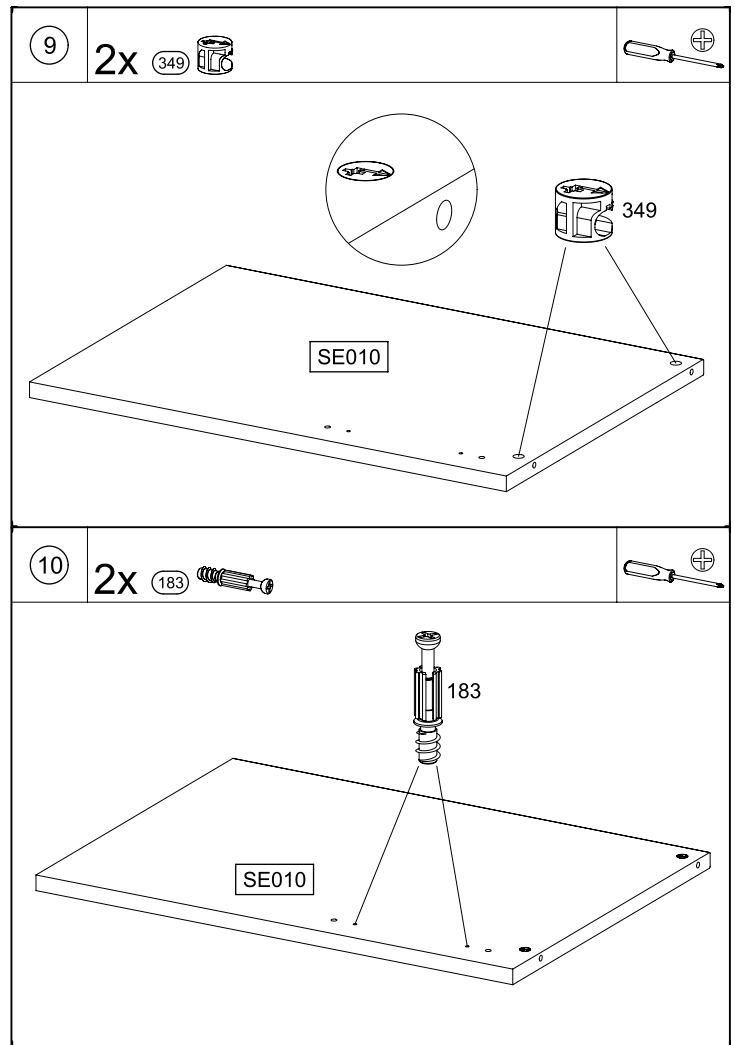
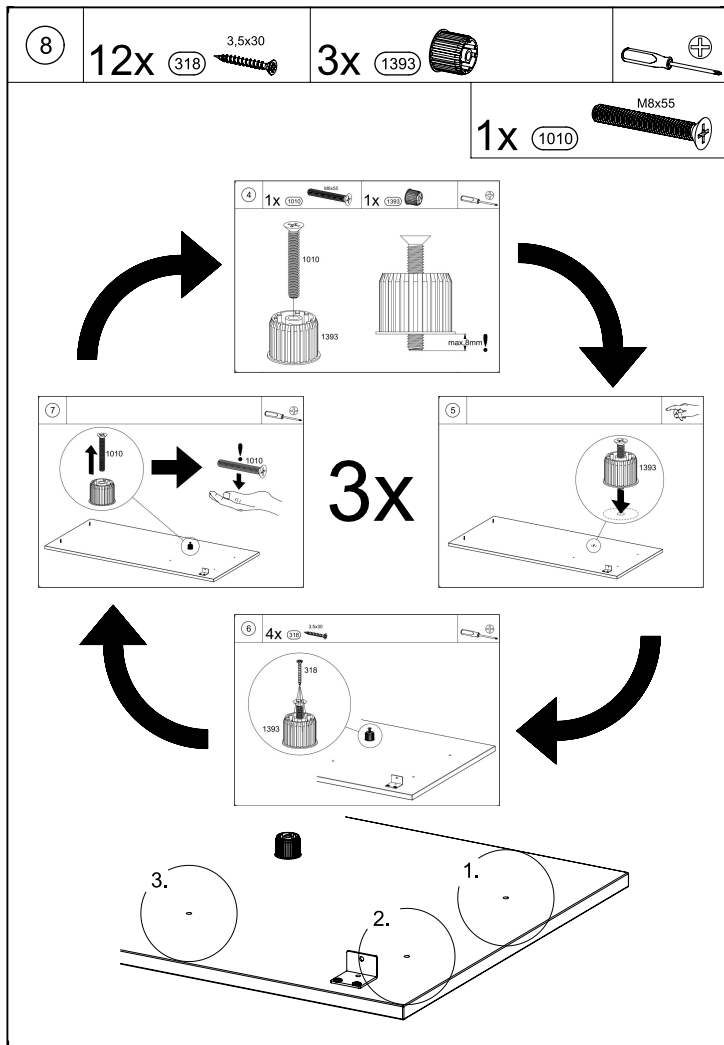
M2927

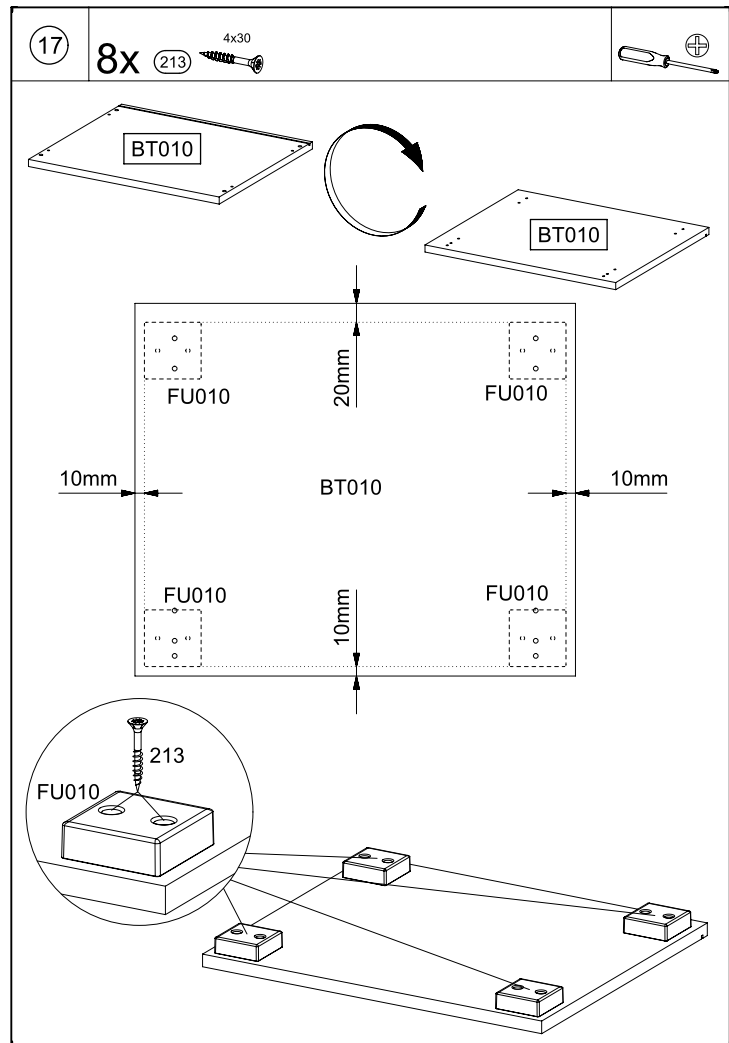
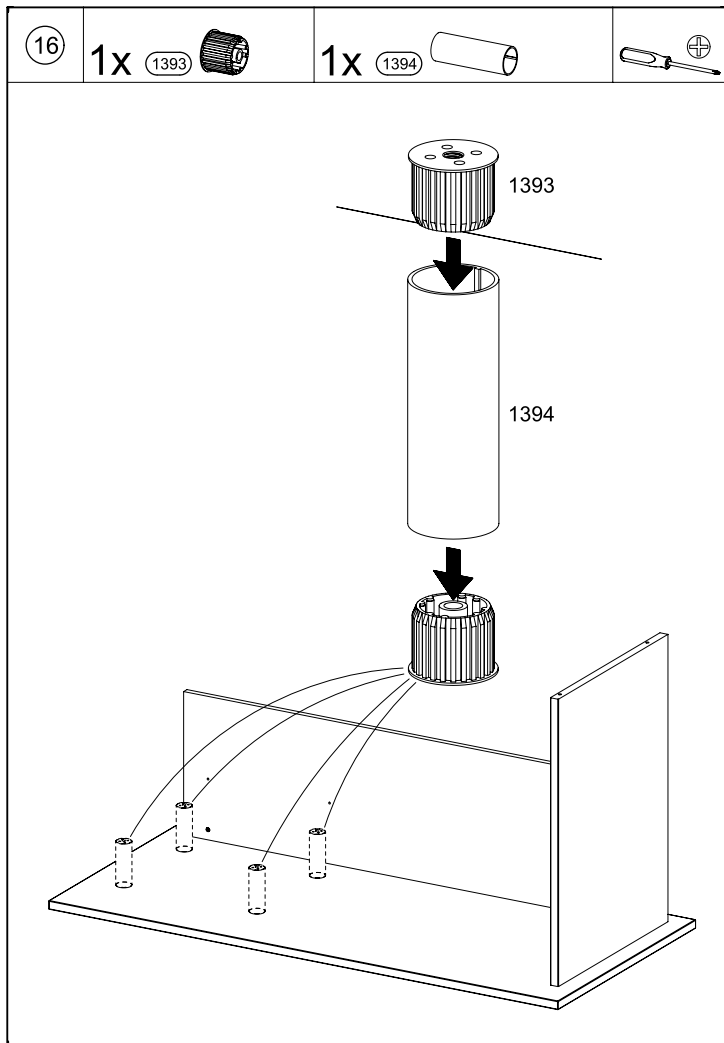
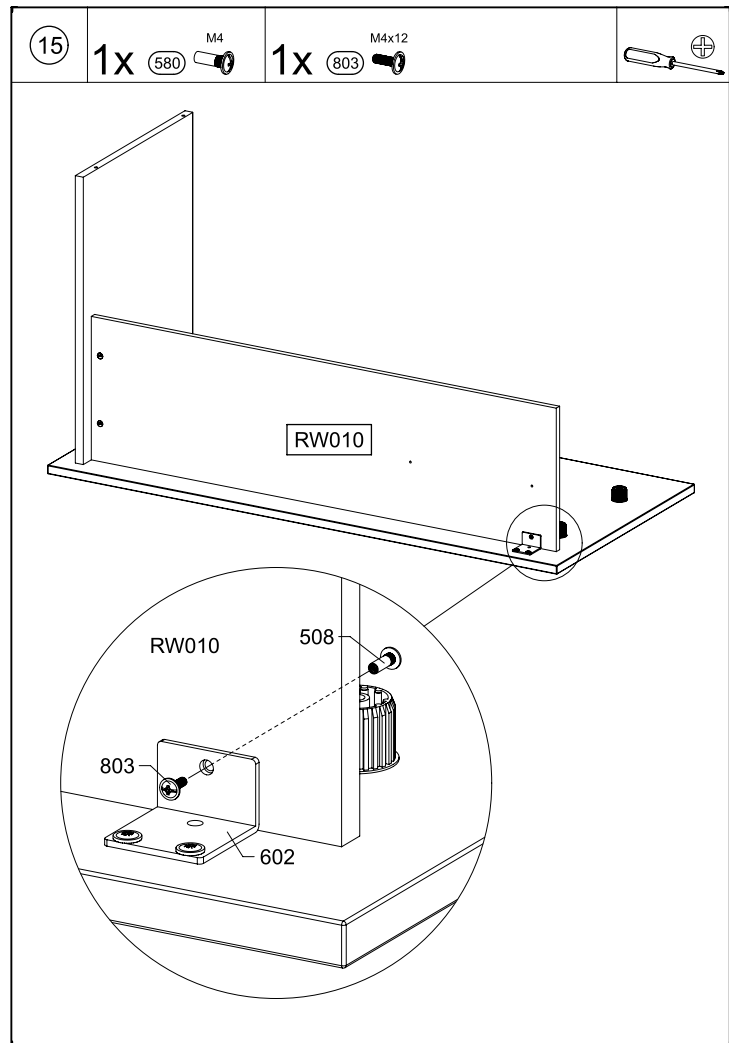
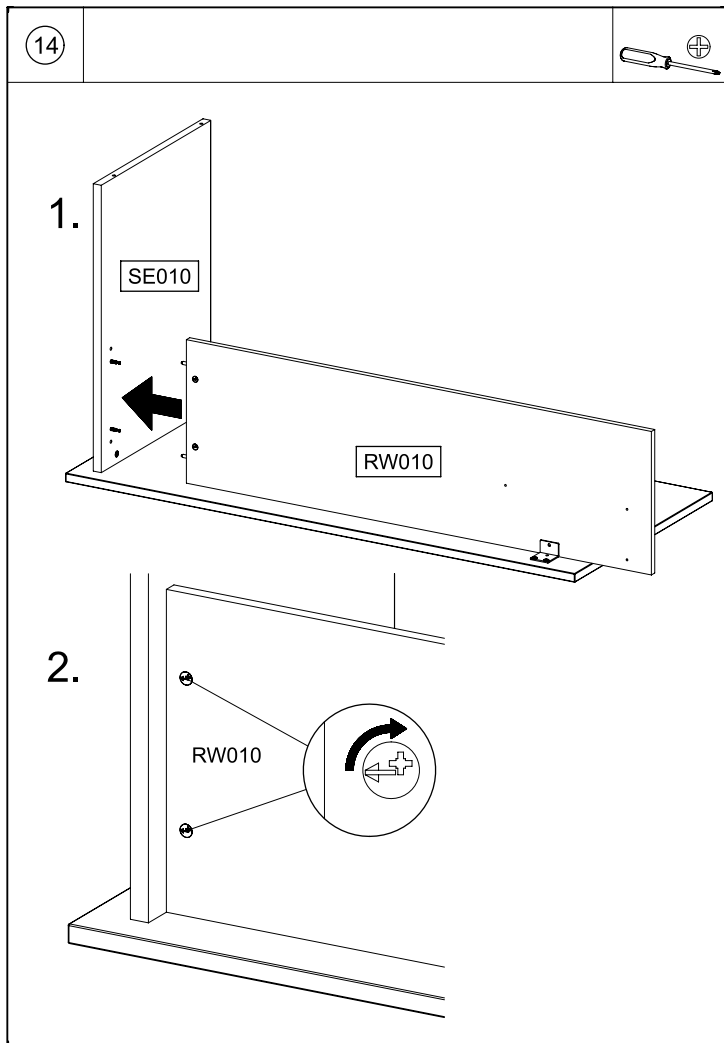


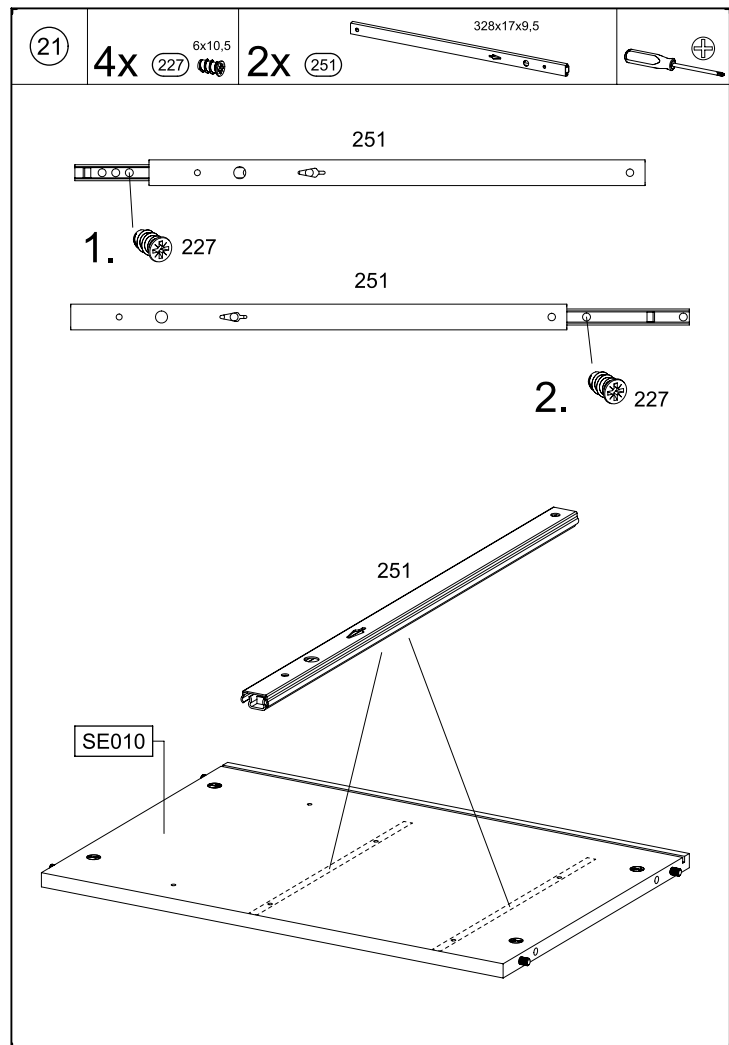
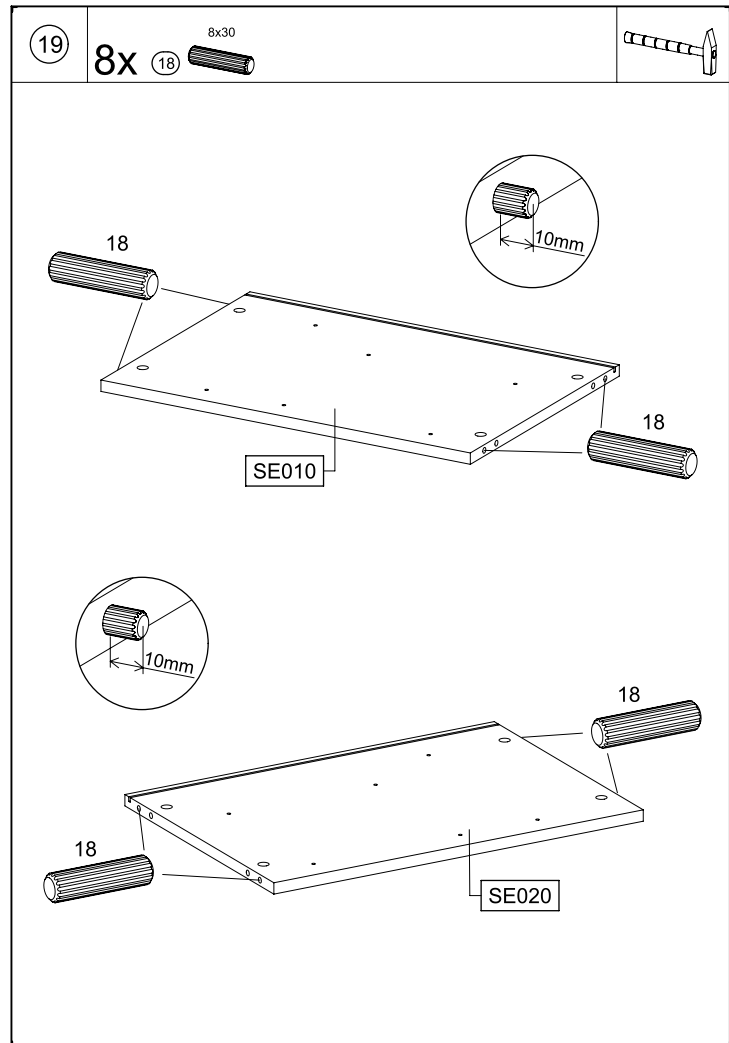
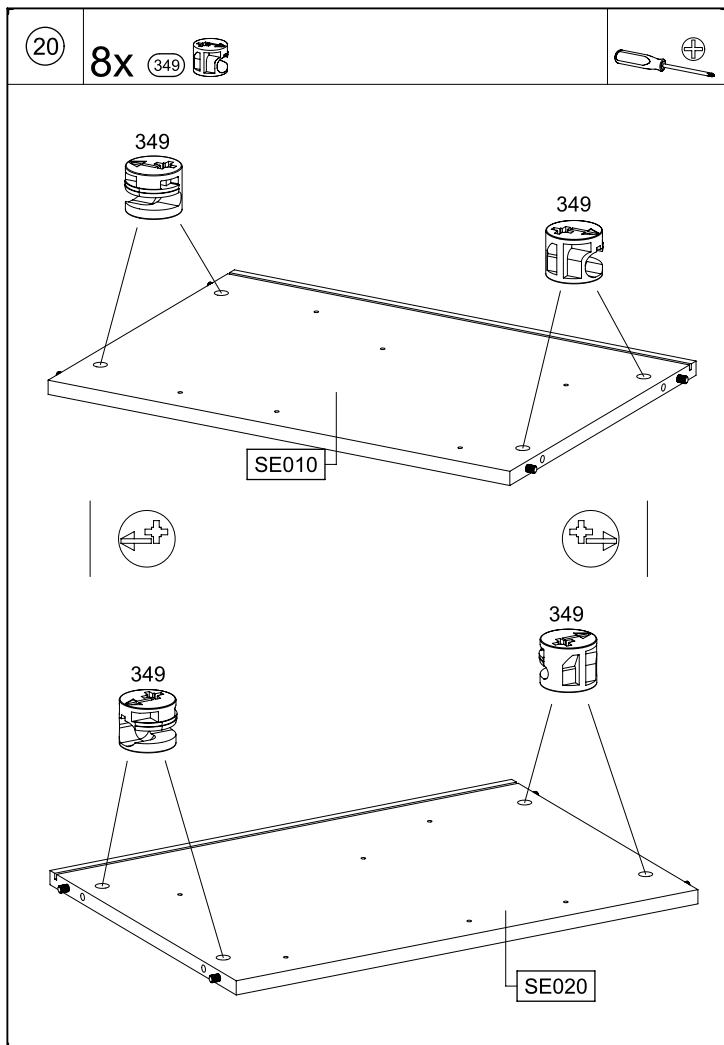
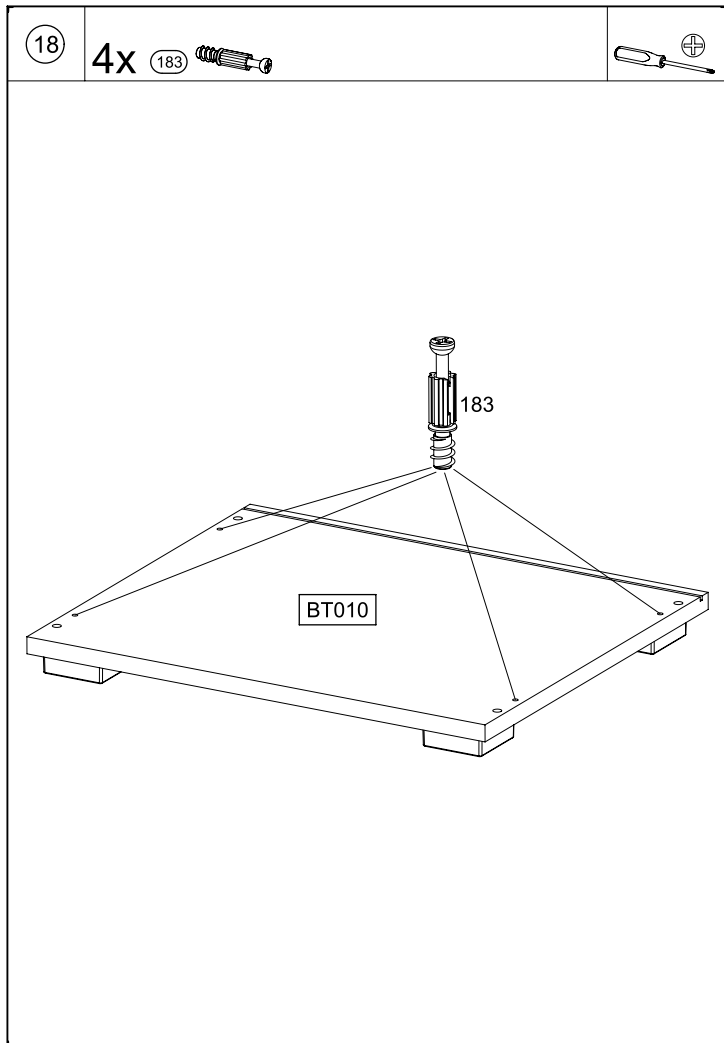
M2927

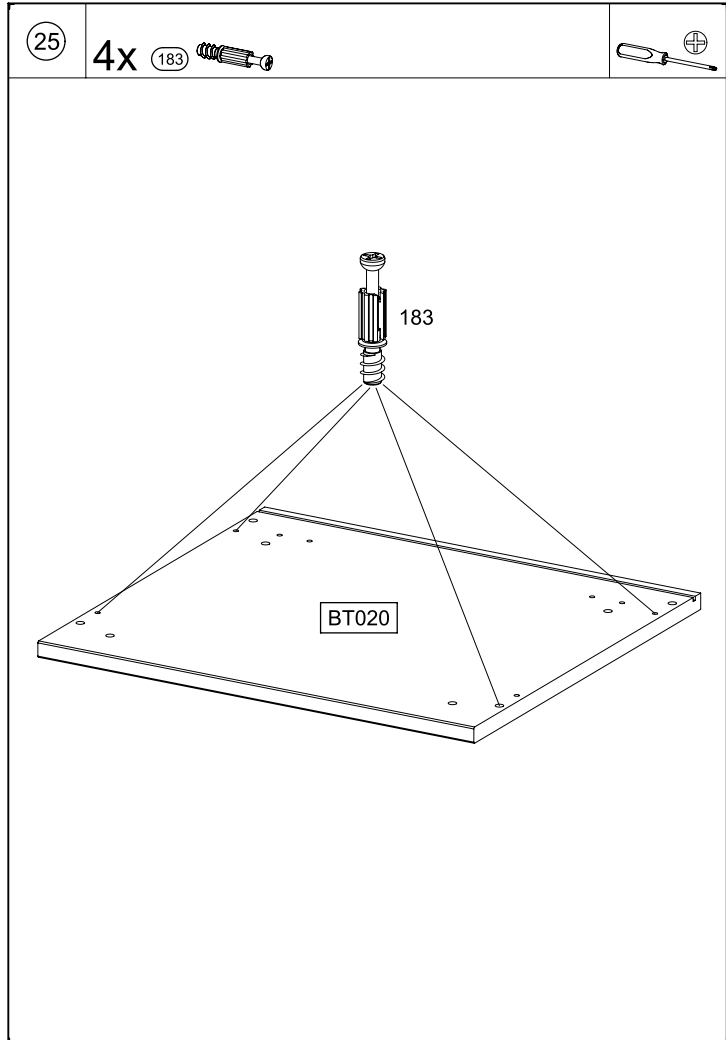
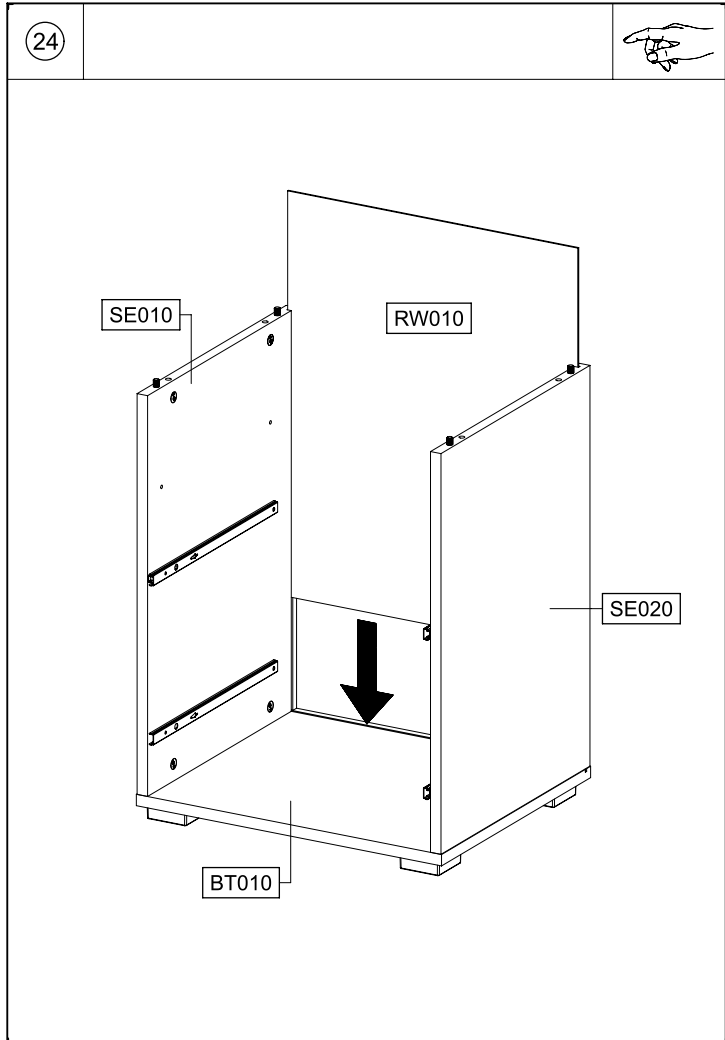
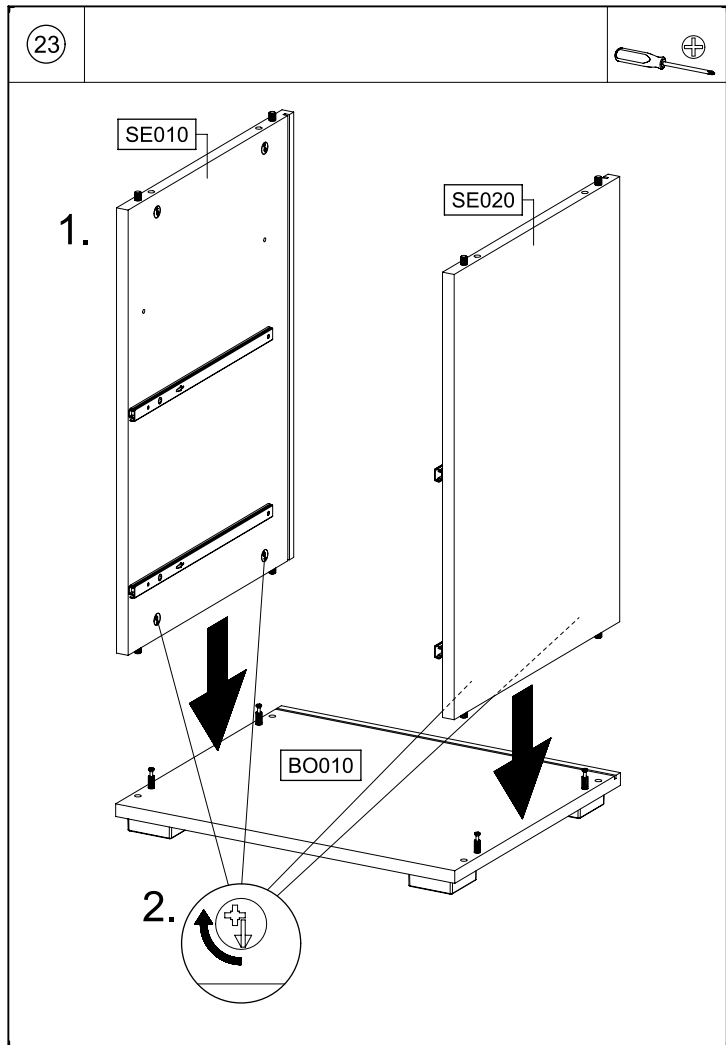
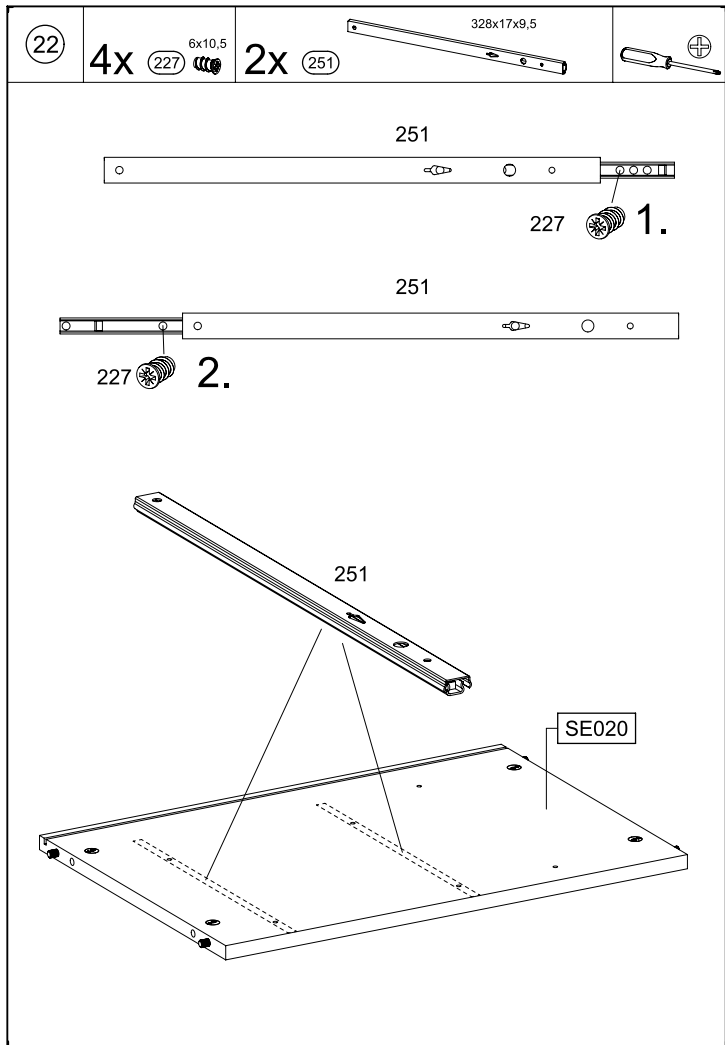


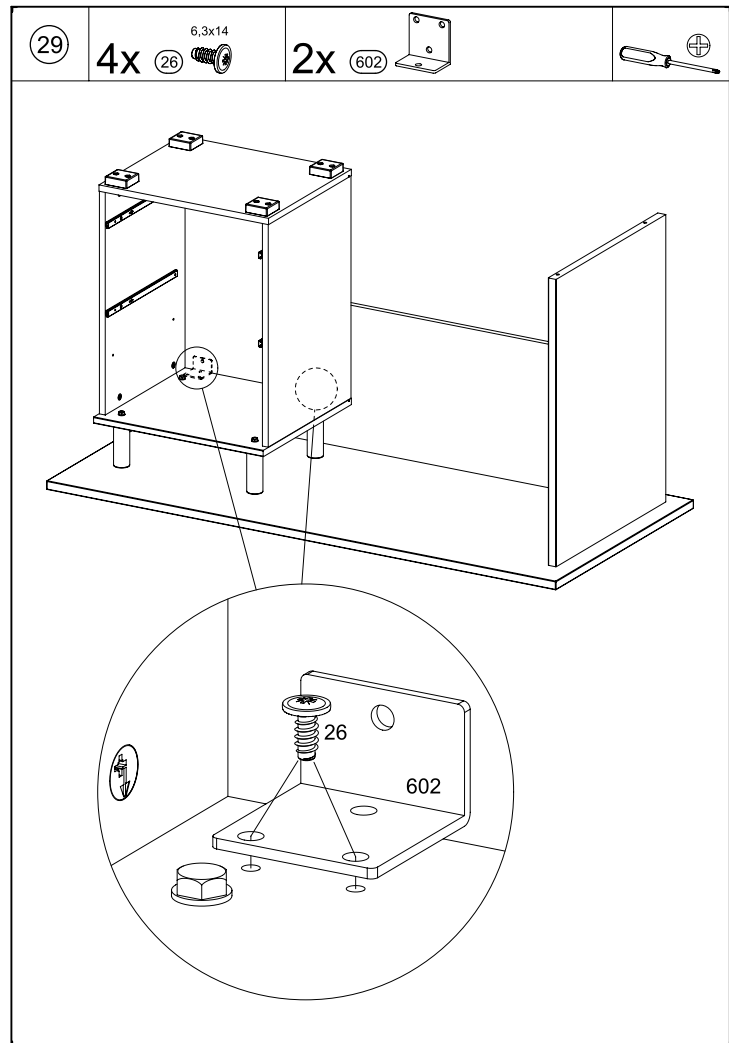
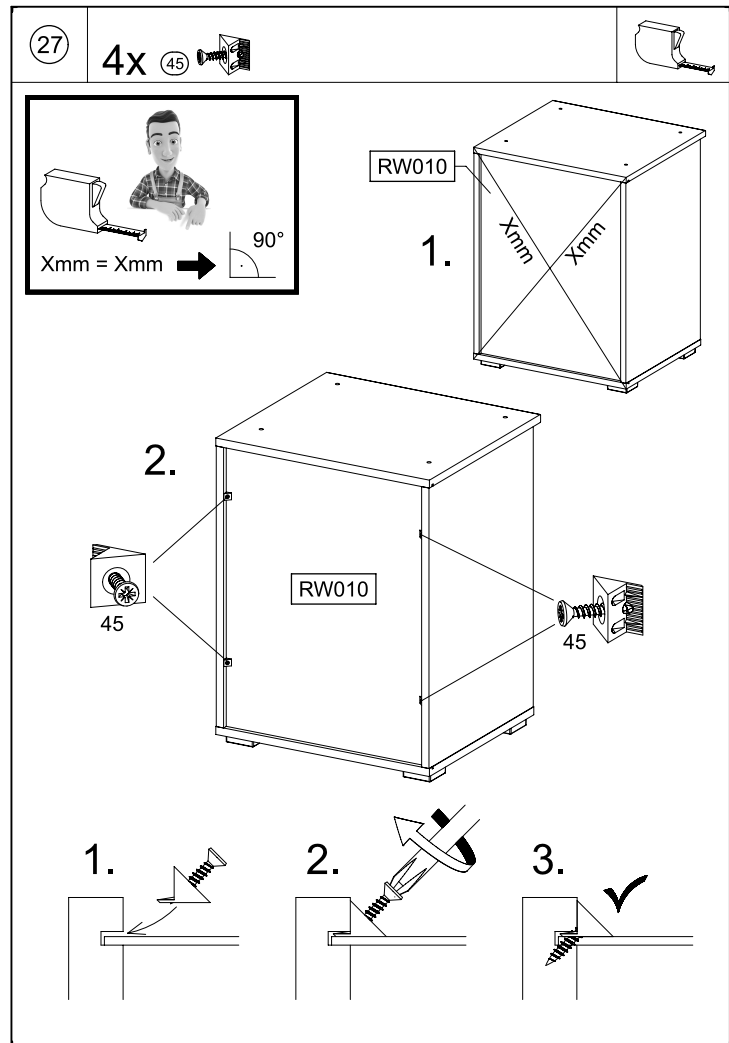
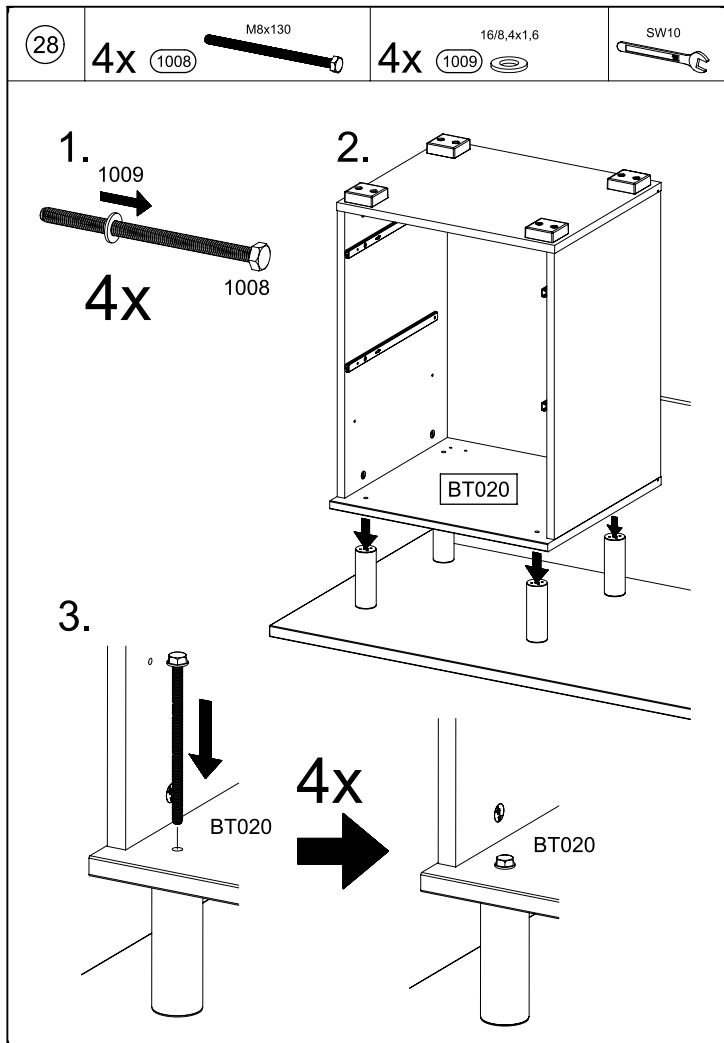
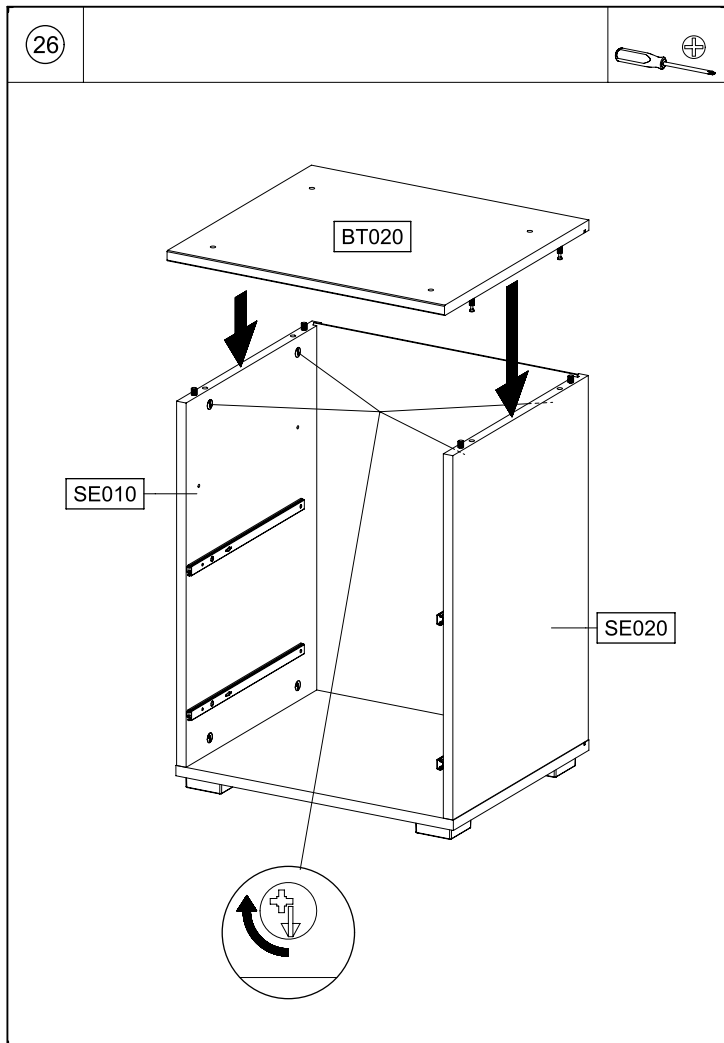
M2927

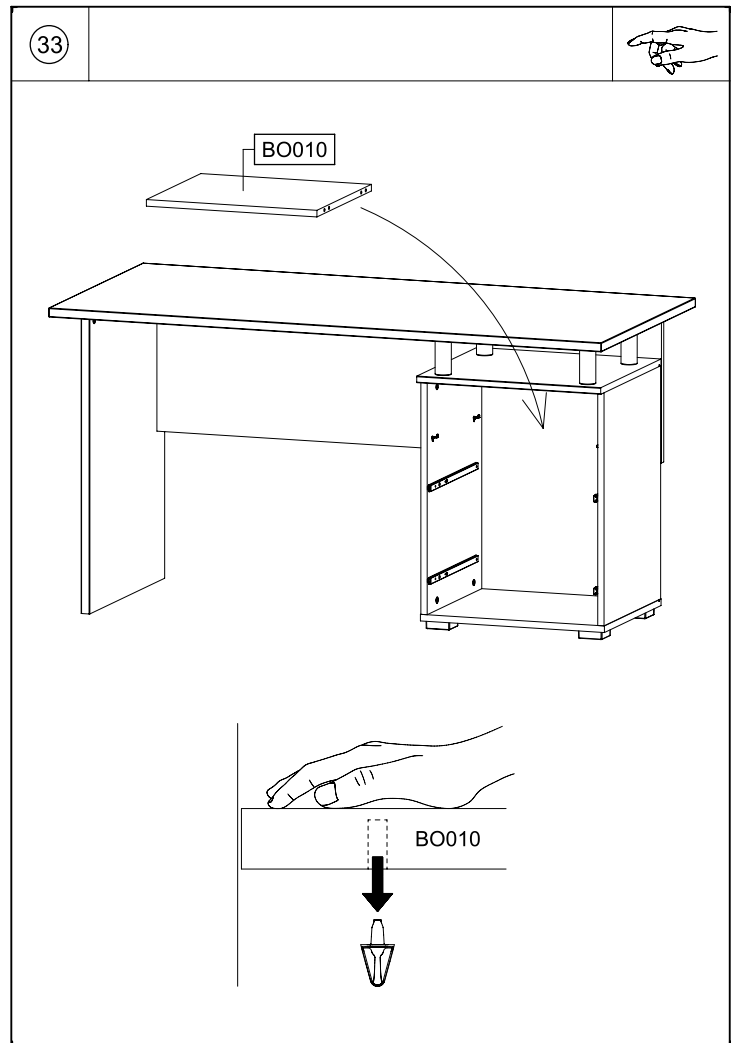
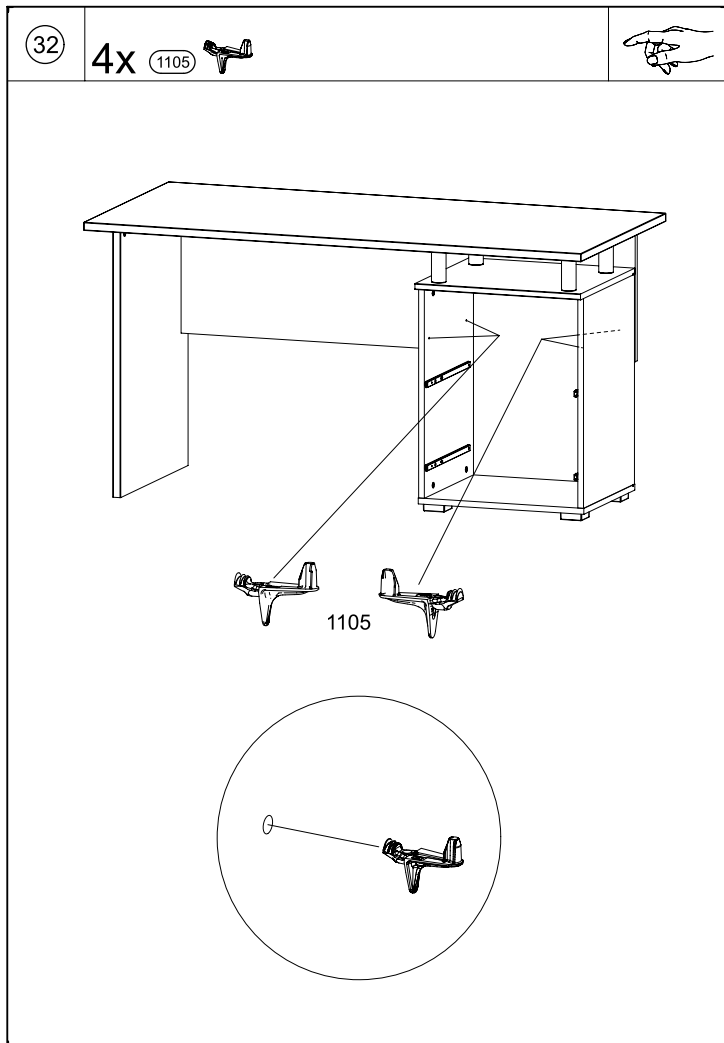
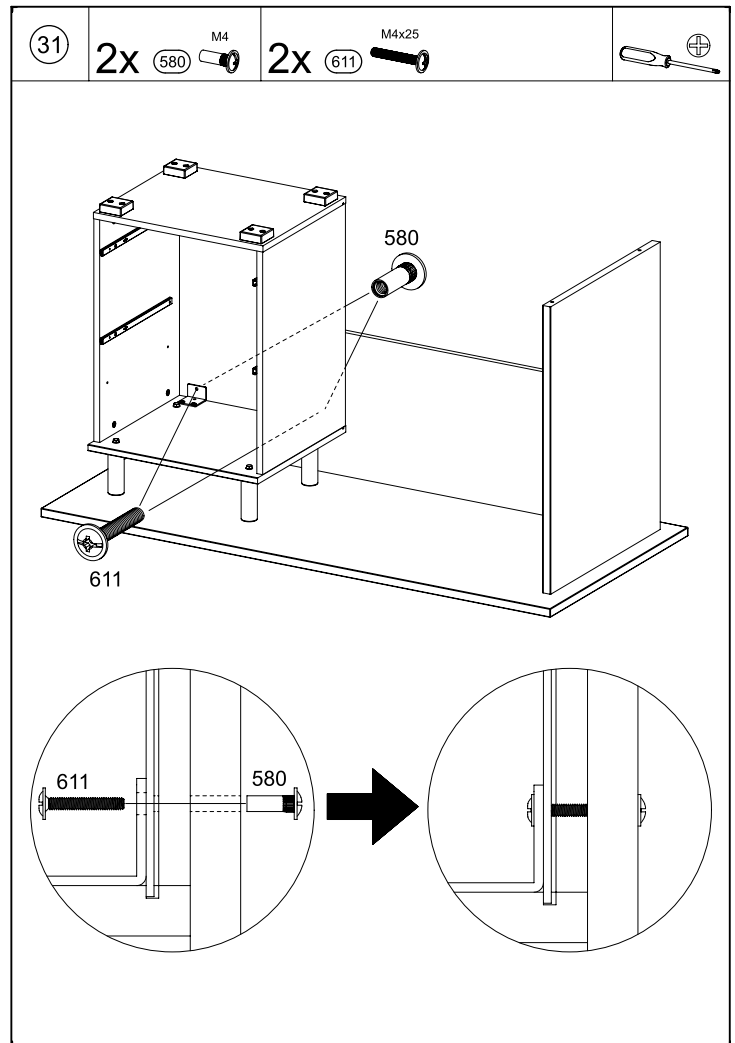
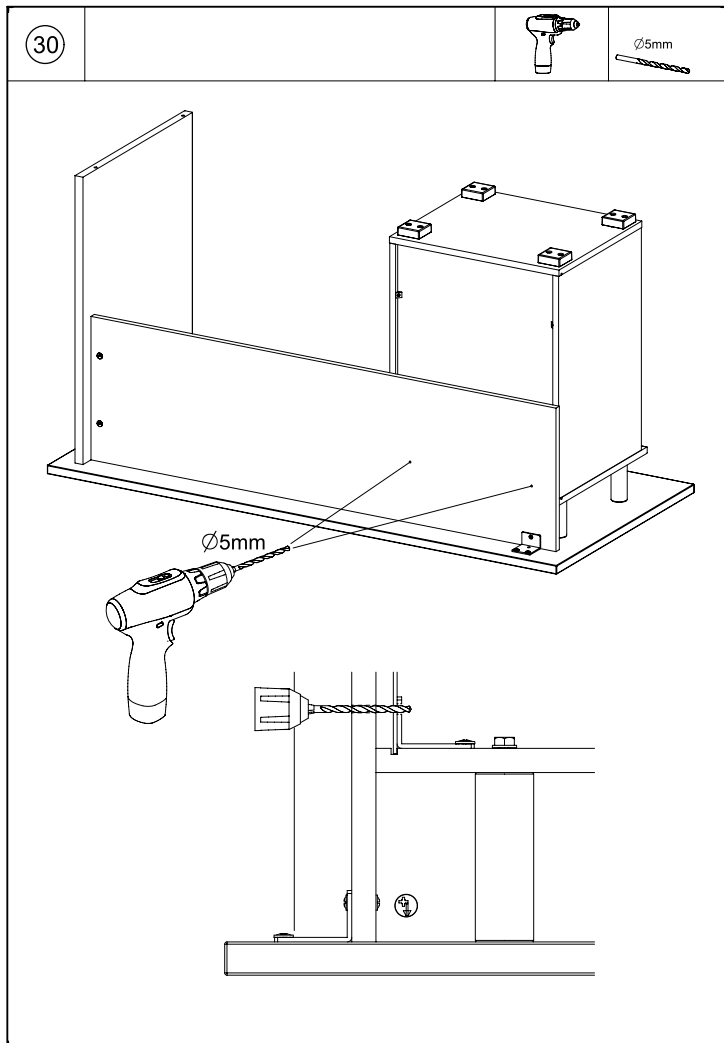








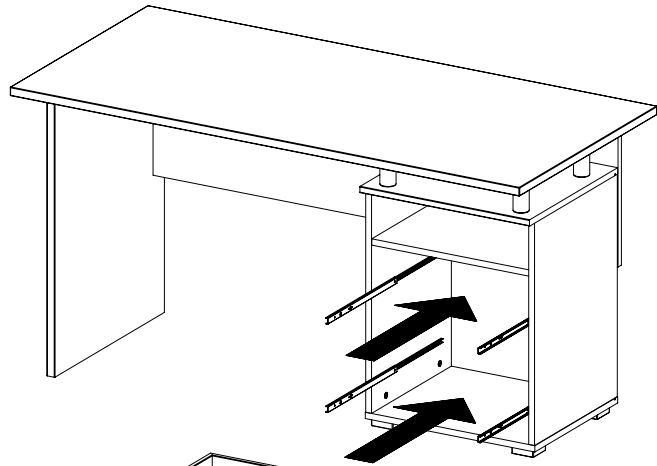




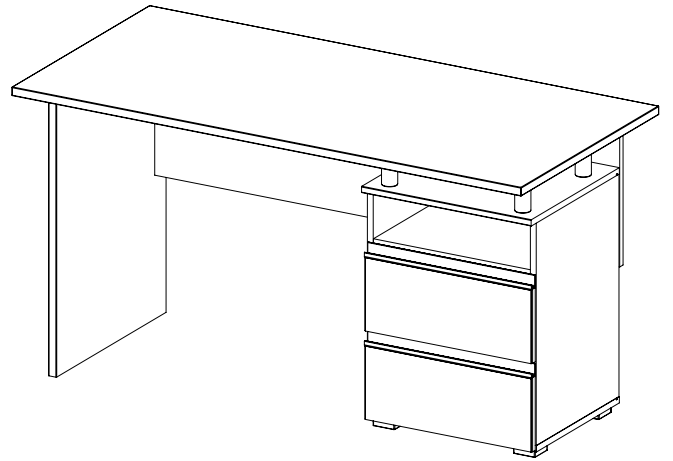
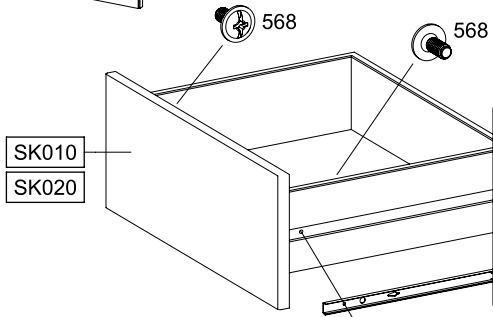
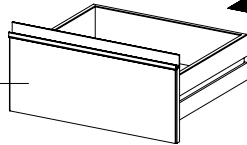


34

4x 568 M4x9

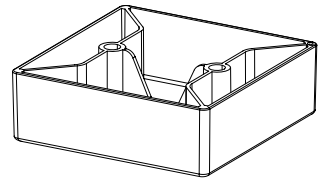


SK010  
SK020



MZ044\_02

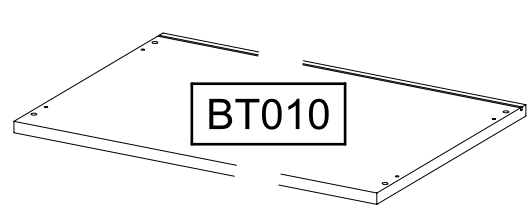
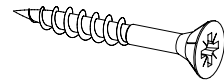
rauch



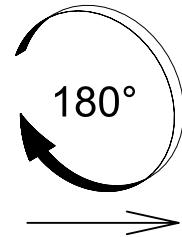
FU010

4x30

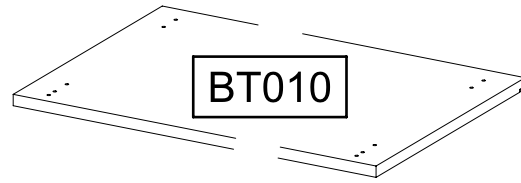
213



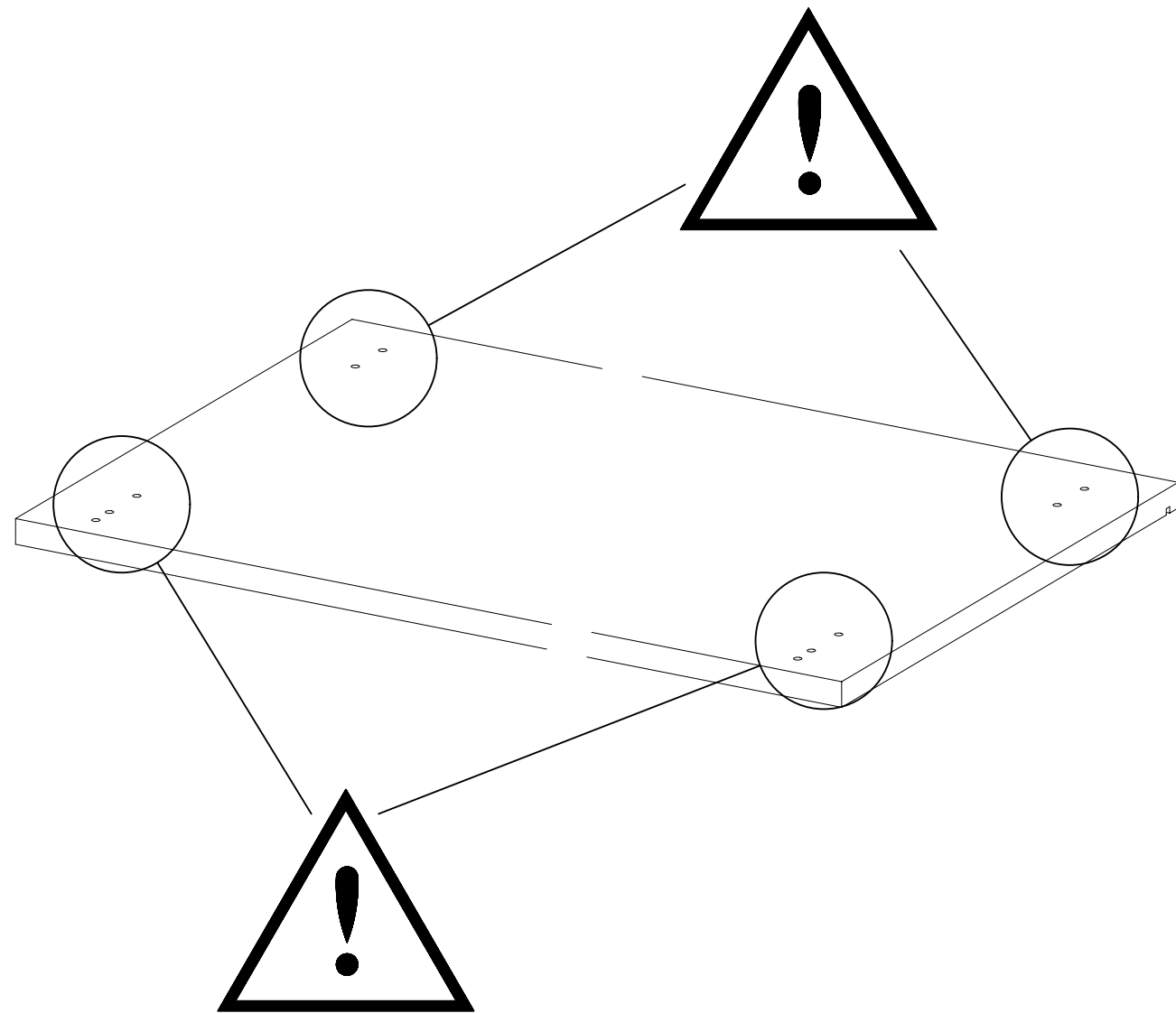
BT010



180°



BT010

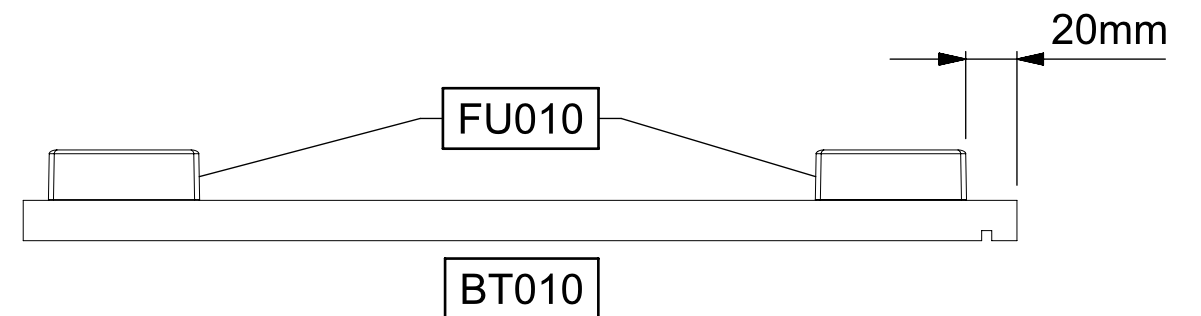
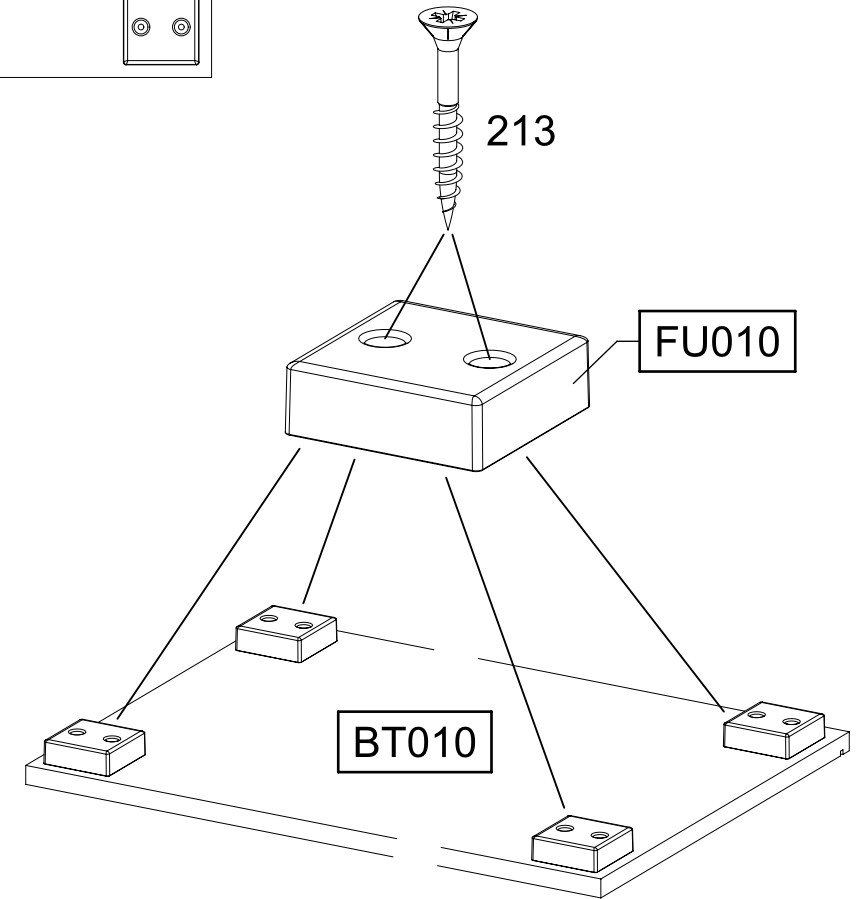
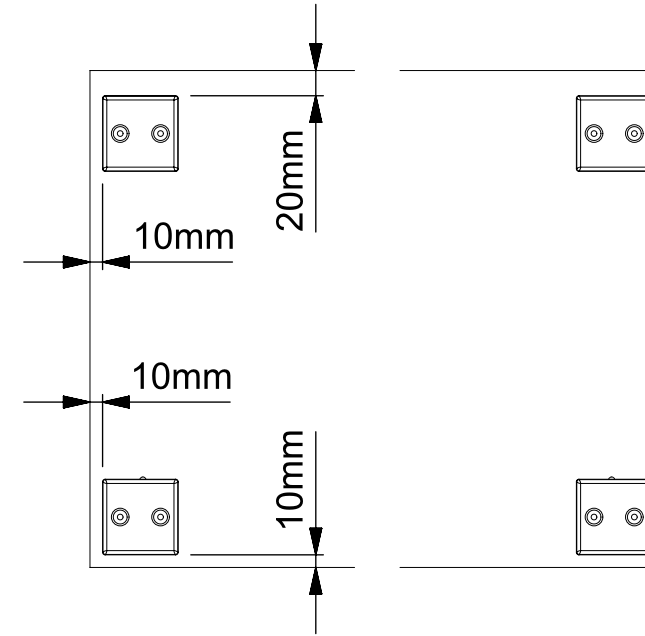
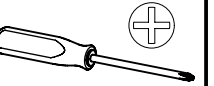


1

8x

213

4x30



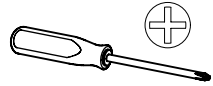
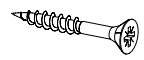
3.

2

2x

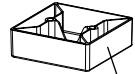
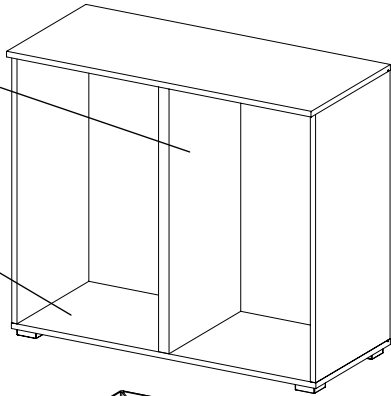
213

4x30



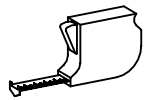
MS010

BT010

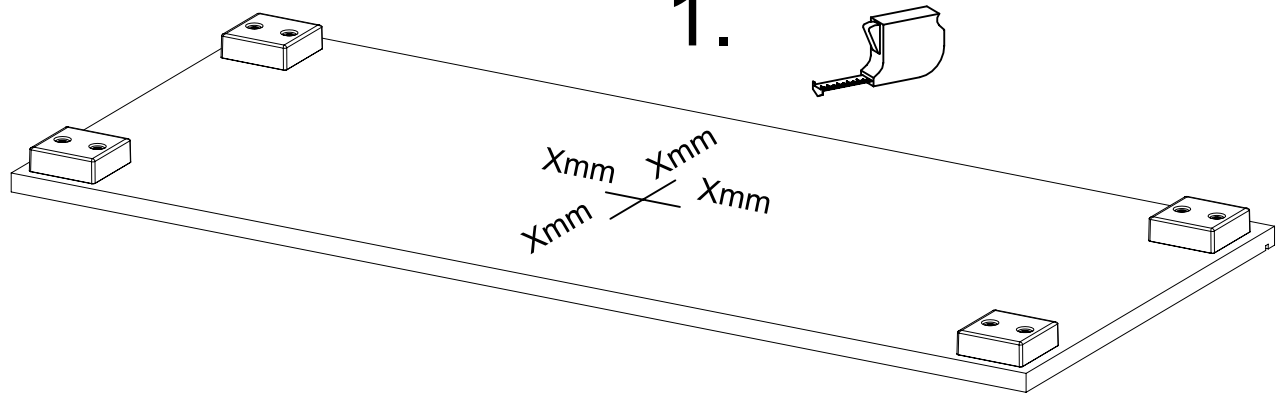


FU010

1.



Xmm Xmm  
Xmm Xmm

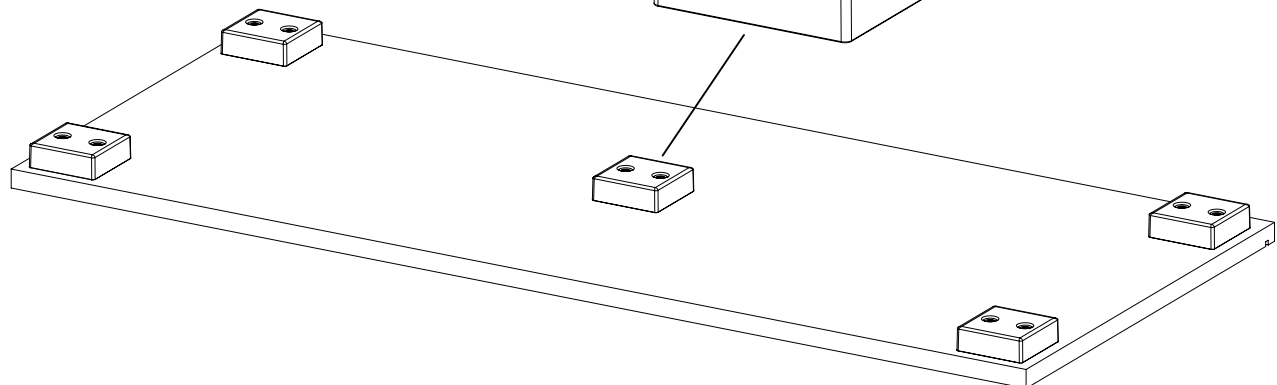
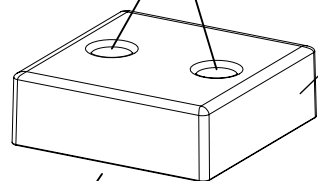


2.



213

FU010



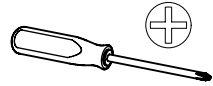
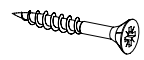
4.

3

2x

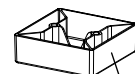
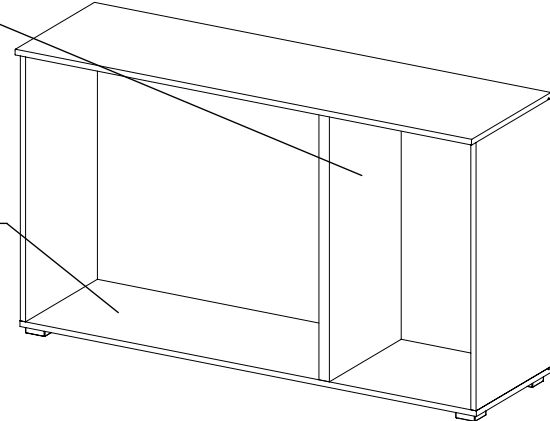
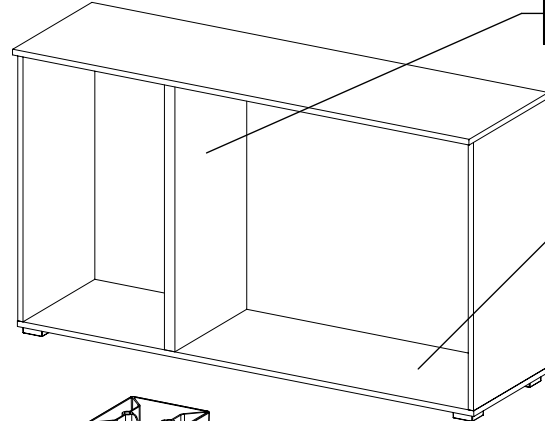
213

4x30

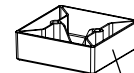


MS010

BT010

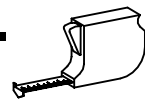


FU010

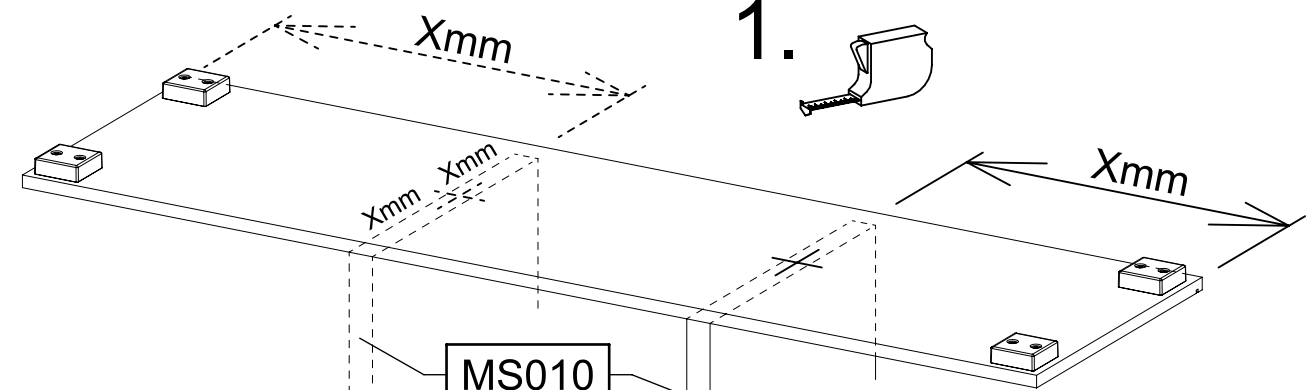


FU010

1.



Xmm Xmm  
Xmm Xmm Xmm



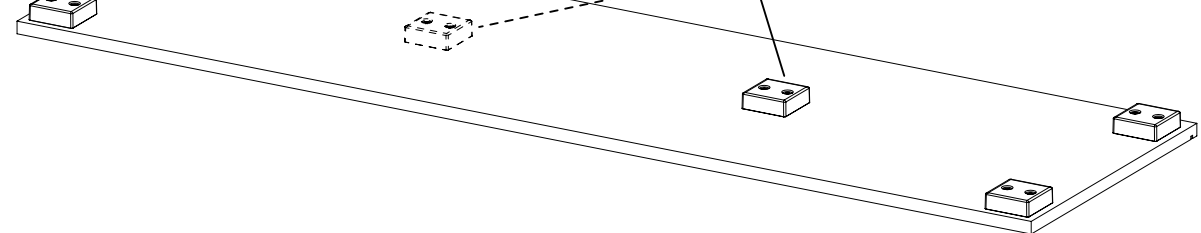
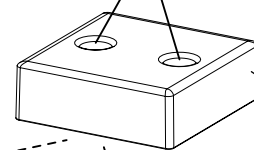
?

2.



213

FU010

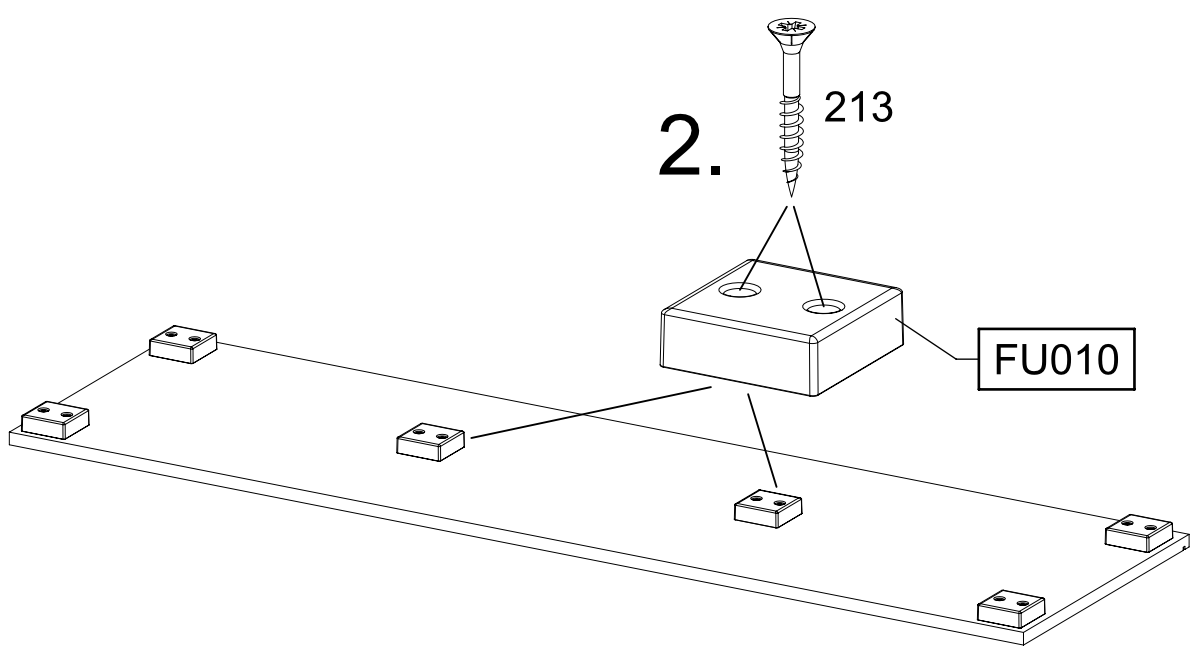
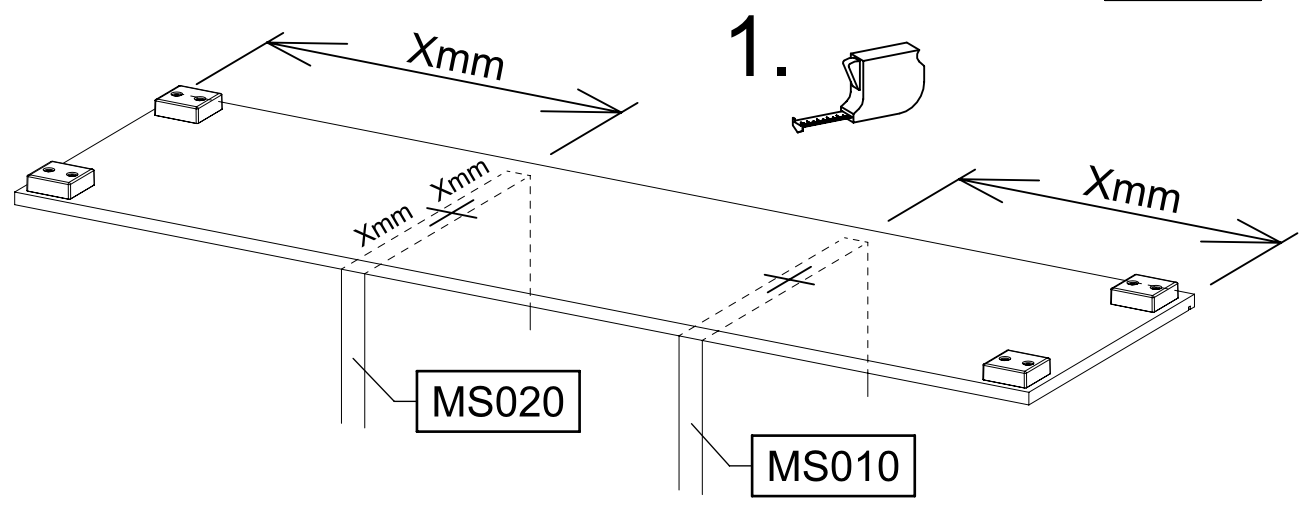
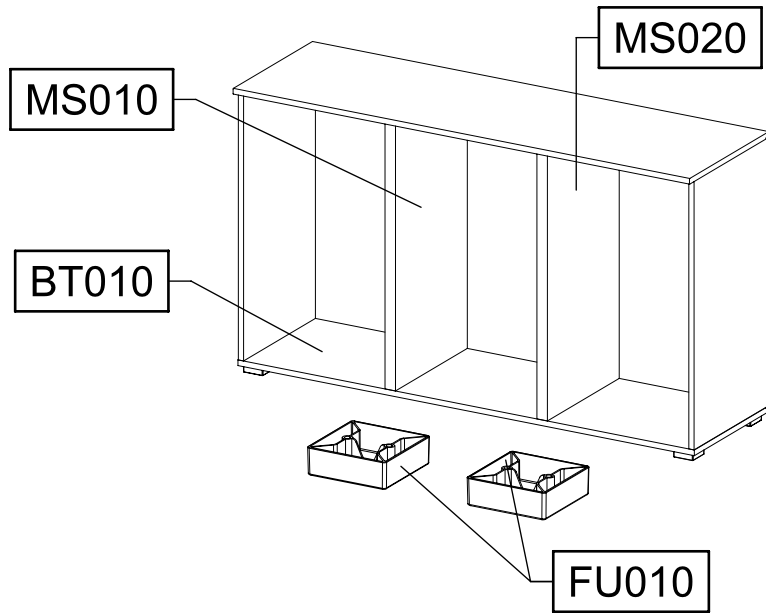
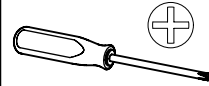
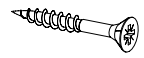


4

4x

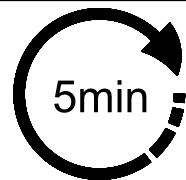
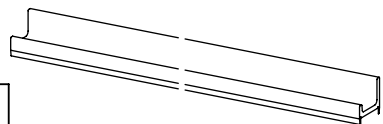
213

4x30

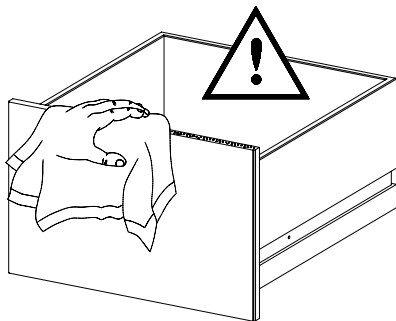


# MZ277\_01

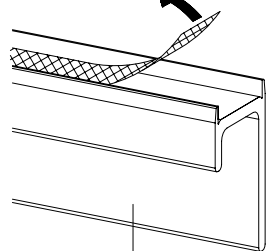
GR010



1.

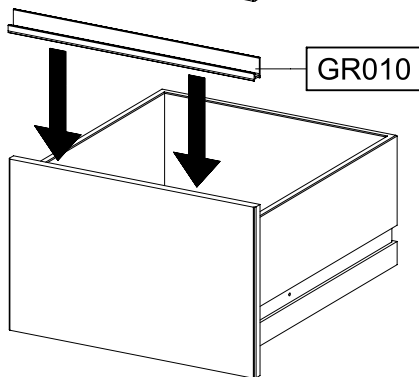


2.

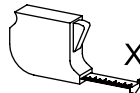
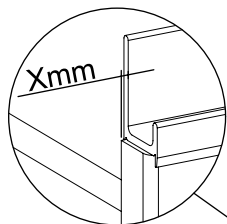


GR010

3.



GR010



Xmm=Xmm

